

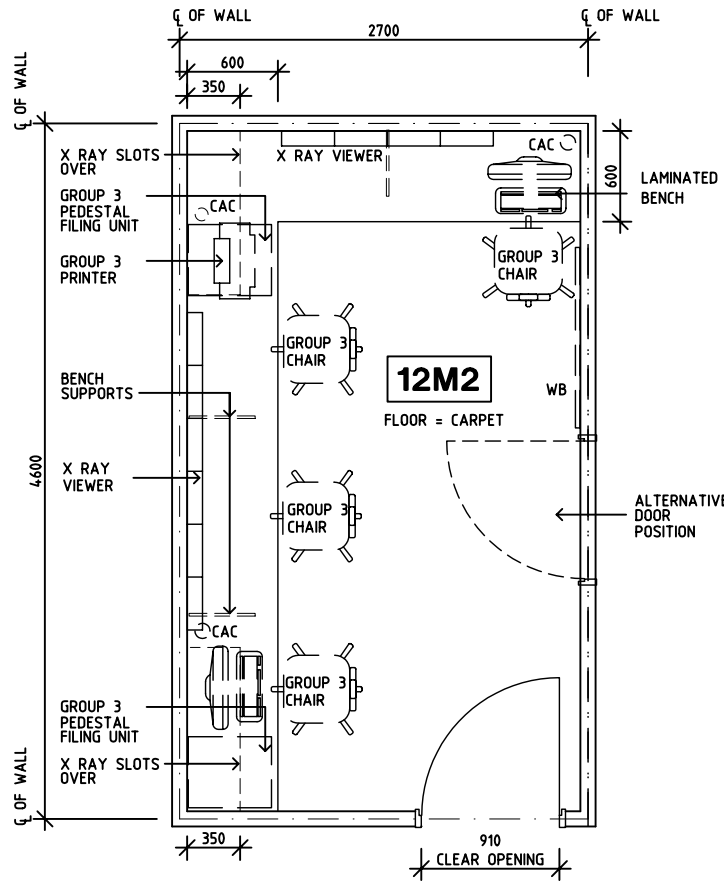
DGHDP STANDARD COMPONENTS

Room Layout Sheet

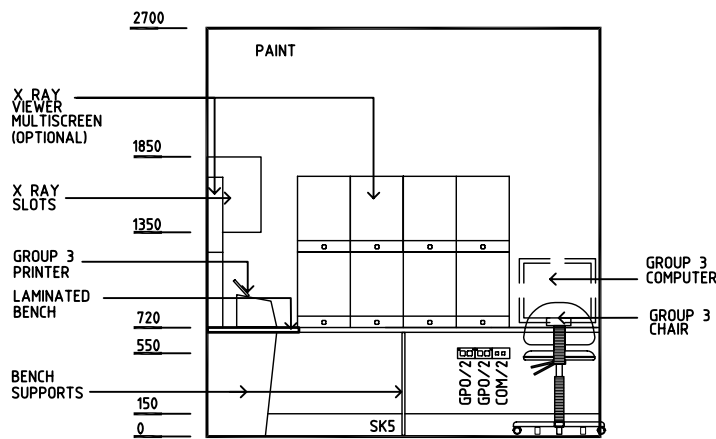
Room Name **X-Ray Viewing and Reporting**

ID No **XRRR**

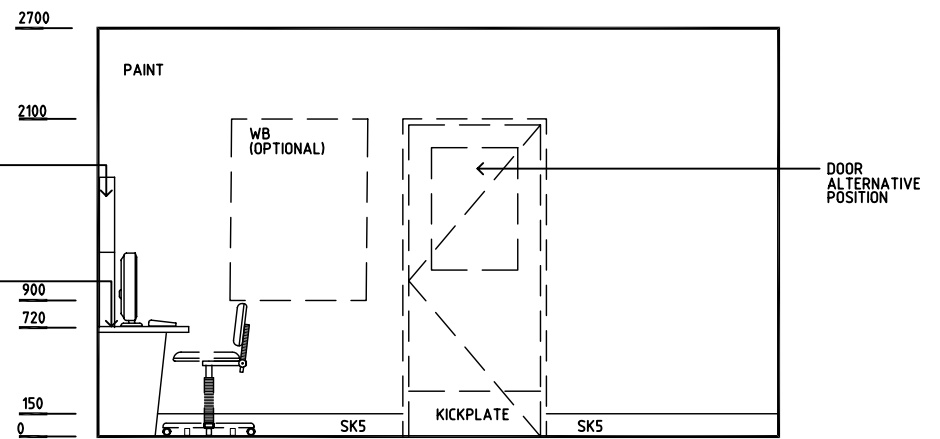
- AS ADJUSTABLE SHELF
- CAC CABLE ACCESS CAP
- COM/2 COMMUNICATION OUTLET, DOUBLE
- GPO/1 GENERAL PURPOSE OUTLET-SINGLE
- GPO/2 GENERAL PURPOSE OUTLET-DOUBLE
- LS LIGHT SWITCH
- PB PINBOARD
- SK5 FEATHER EDGE VINYL SKIRTING
- WB WHITEBOARD



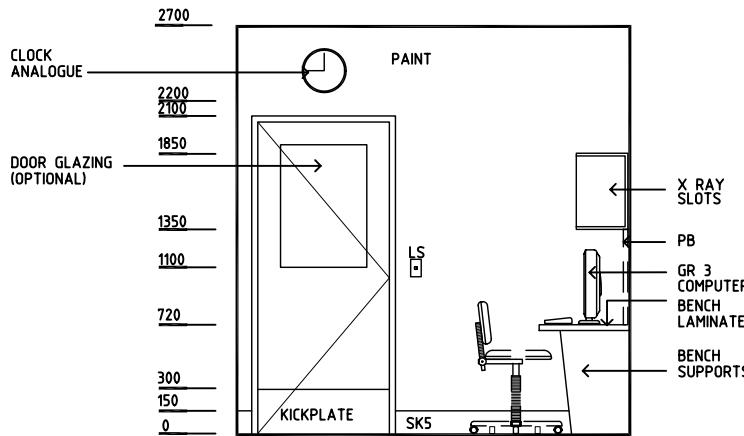
PLAN



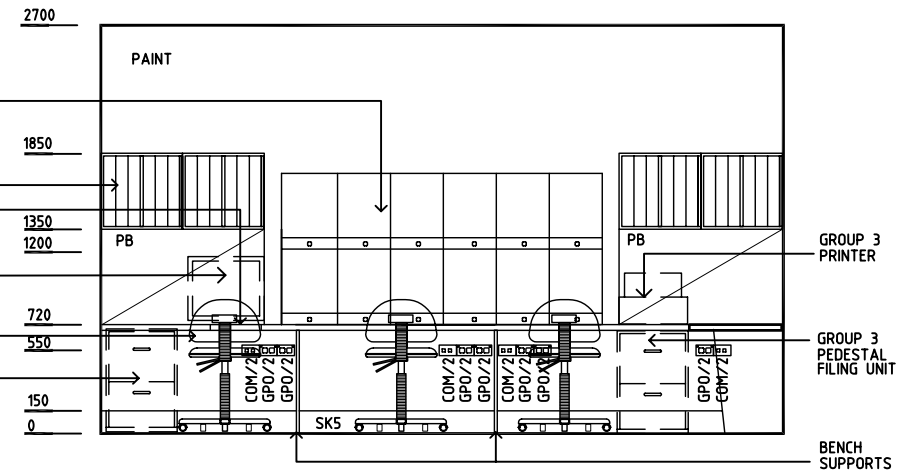
ELEVATION 1



ELEVATION 2



ELEVATION 3



ELEVATION 4

Rev	Revision Description	Date	Rev	Revision Description	Date	Rev	Revision Description	Date																				
1	FIRST ISSUE	27.9.04																										
<table border="1" style="width: 100%; border-collapse: collapse;"> <thead> <tr> <th>Drawn</th> <th>Checked</th> <th>Date</th> <th>Scale</th> <th>Sheet</th> </tr> </thead> <tbody> <tr> <td>AL/BJ</td> <td>DB</td> <td>27.9.04</td> <td>1:50 in A3</td> <td>1 of 1</td> </tr> <tr> <td colspan="2">CAD File</td> <td>Drawing No.</td> <td colspan="2">Issue</td> </tr> <tr> <td colspan="2">XRRR</td> <td>XRRR</td> <td colspan="2">1</td> </tr> </tbody> </table>									Drawn	Checked	Date	Scale	Sheet	AL/BJ	DB	27.9.04	1:50 in A3	1 of 1	CAD File		Drawing No.	Issue		XRRR		XRRR	1	
Drawn	Checked	Date	Scale	Sheet																								
AL/BJ	DB	27.9.04	1:50 in A3	1 of 1																								
CAD File		Drawing No.	Issue																									
XRRR		XRRR	1																									