

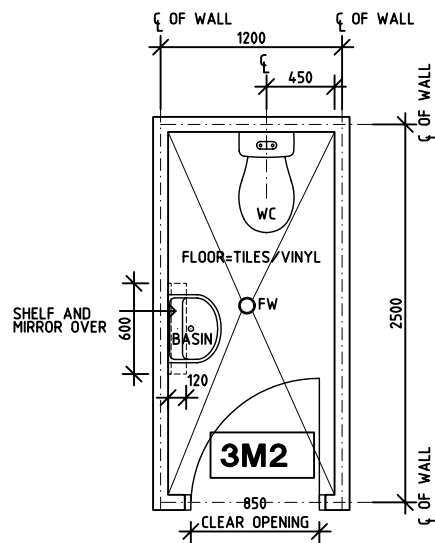
DGHDP STANDARD COMPONENTS

Room Layout Sheet

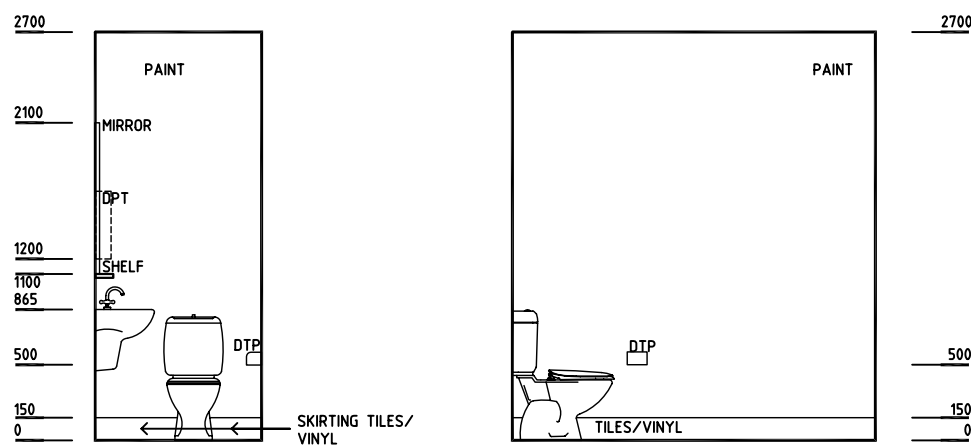
Room Name **Toilet - Public**

ID No **WCPU**

- COH COAT HOOK
- FW FLOOR WASTE
- GPO/2 GENERAL POWER OUTLET, DOUBLE
- LS LIGHT SWITCH
- DPT DISPENSER PAPER TOWEL
- DS DISPENSER SOAP
- SK4 VINYL COVERED SKIRTING, STANDARD
- DTP DISPENSER TOILET PAPER

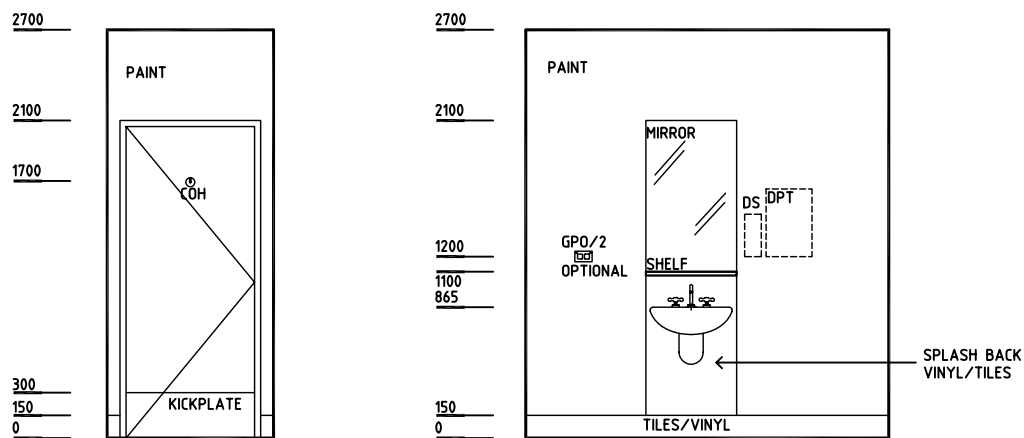


PLAN



ELEVATION 1

ELEVATION 2



ELEVATION 3

ELEVATION 4

Rev	Revision Description	Date	Rev	Revision Description	Date	Rev	Revision Description	Date
1	FIRST ISSUE	27.9.04						

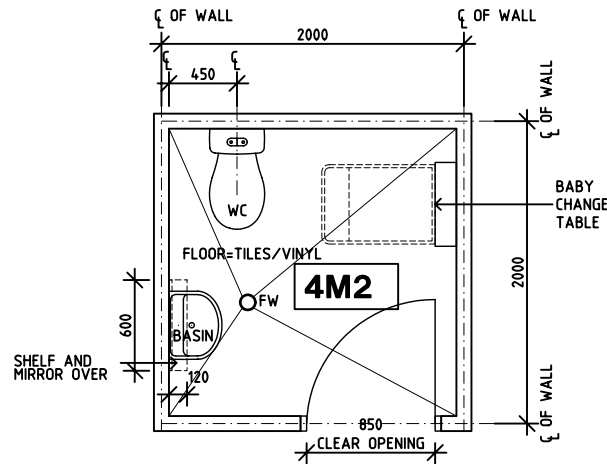
DGHDP STANDARD COMPONENTS

Room Layout Sheet

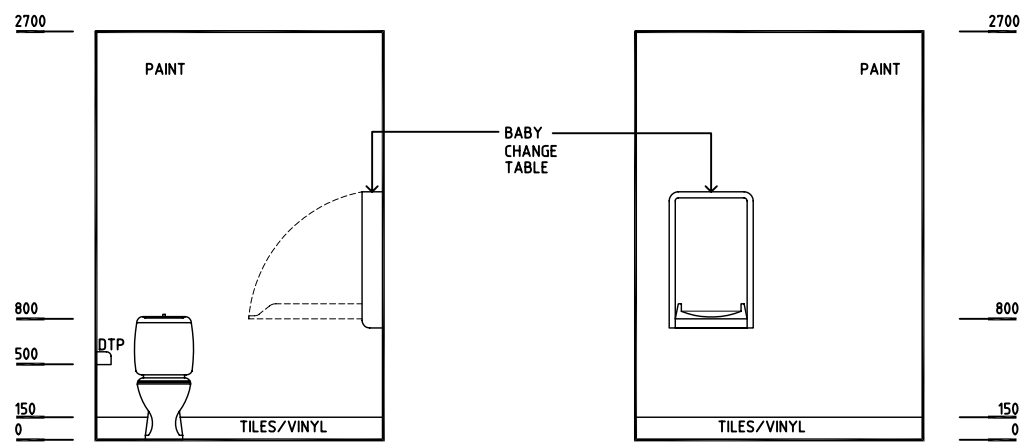
Room Name **Toilet - Public**

ID No **WCPU**

- COH COAT HOOK
- FW FLOOR WASTE
- GPO/2 GENERAL POWER OUTLET, DOUBLE
- LS LIGHT SWITCH
- DPT DISPENSER PAPER TOWEL
- DS DISPENSER SOAP
- SK4 VINYL COVERED SKIRTING, STANDARD
- DTP DISPENSER TOILET PAPER

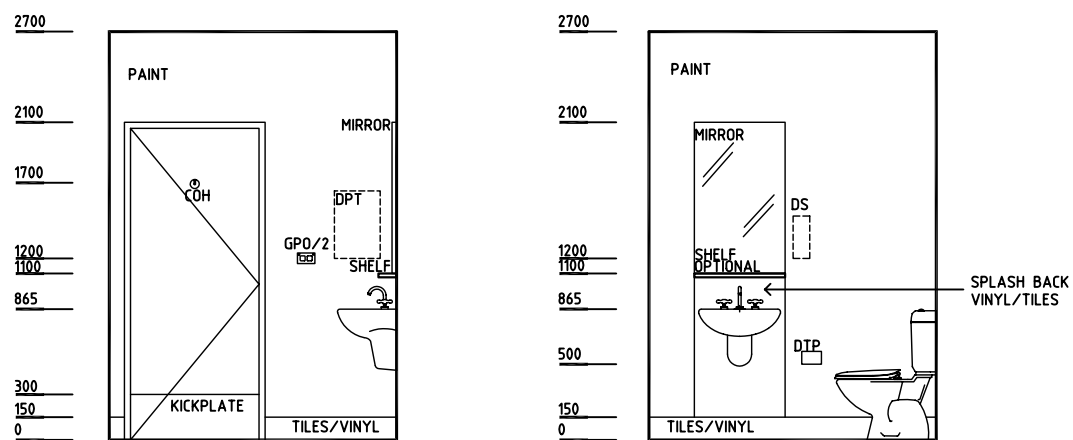


PLAN



ELEVATION 1

ELEVATION 2



ELEVATION 3

ELEVATION 4

Rev	Revision Description	Date	Rev	Revision Description	Date	Rev	Revision Description	Date																				
1	FIRST ISSUE	27.9.04																										
<table border="1" style="width: 100%; border-collapse: collapse;"> <thead> <tr> <th>Drawn</th> <th>Checked</th> <th>Date</th> <th>Scale</th> <th>Sheet</th> </tr> </thead> <tbody> <tr> <td>CC</td> <td>DB</td> <td>27.9.04</td> <td>1:50 in A3</td> <td>2 of 2</td> </tr> <tr> <td colspan="2">CAD File</td> <td>Drawing No.</td> <td colspan="2">Issue</td> </tr> <tr> <td colspan="2">WCPU</td> <td>WCPUB</td> <td colspan="2">1</td> </tr> </tbody> </table>									Drawn	Checked	Date	Scale	Sheet	CC	DB	27.9.04	1:50 in A3	2 of 2	CAD File		Drawing No.	Issue		WCPU		WCPUB	1	
Drawn	Checked	Date	Scale	Sheet																								
CC	DB	27.9.04	1:50 in A3	2 of 2																								
CAD File		Drawing No.	Issue																									
WCPU		WCPUB	1																									