

DGHDP STANDARD COMPONENTS

Room Layout Sheet

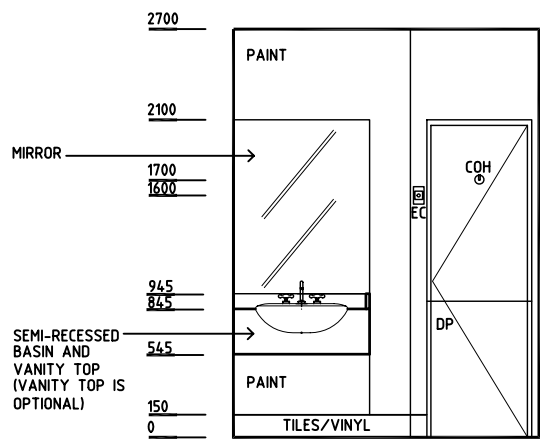
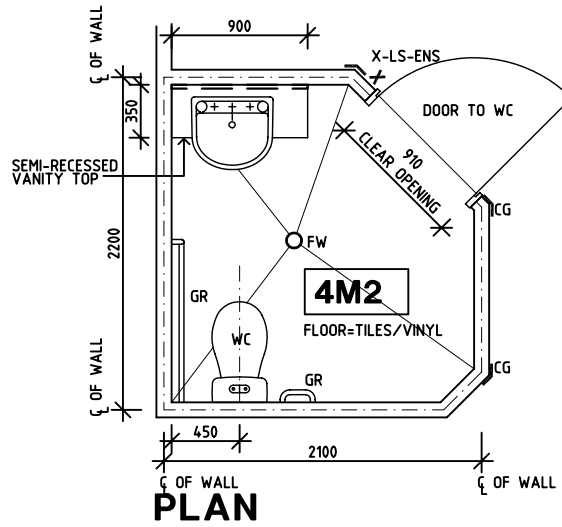
Room Name **Toilet - Patient**

ID No

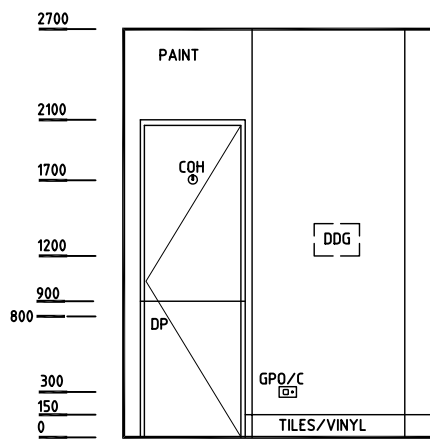
WCPT

CH
COH
DDG
DPT
DP
DS
DTP
EC
FW
GPO/2
GPO/C
GR
IV
LS-ENS
NA
NC

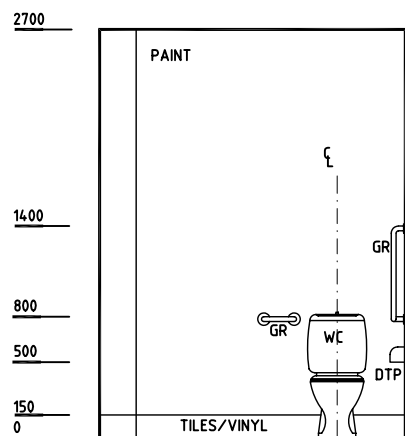
CATHETER HOOK
COAT HOOK
DISPENSER DISPOSABLE GLOVE
DISPENSER PAPER TOWEL
DOOR AND FRAME PROTECTION
DISPENSER SOAP
DISPENSER TOILET PAPER
EMERGENCY CALL
FLOOR WASTE
GENERAL POWER OUTLET, DOUBLE
GENERAL POWER OUTLET, CLEANER'S
GRAB RAIL
IV HOOK
LIGHT SWITCH-ENSUITE
NURSE ASSIST
NURSE CALL



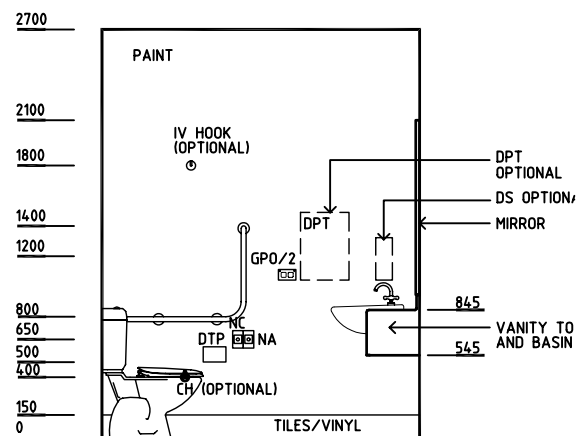
ELEVATION 1



ELEVATION 2



ELEVATION 3



ELEVATION 4

Rev	Revision Description	Date	Rev	Revision Description	Date	Rev	Revision Description	Date
1	FIRST ISSUE	27.9.04						
2	DRAWING REVISED	22.10.04						