

# DGHDP STANDARD COMPONENTS

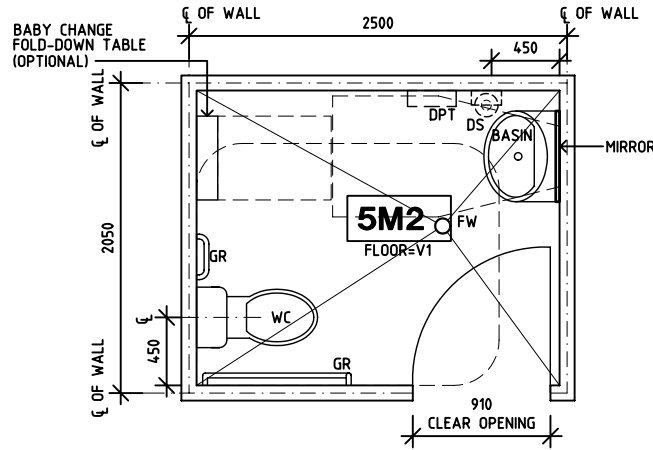
Room Layout Sheet

Room Name **Toilet - Disabled**

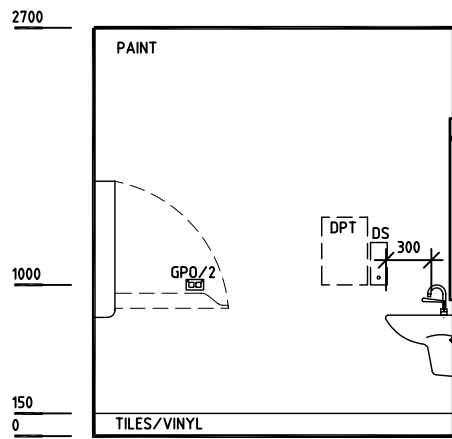
ID No

**WCDS**

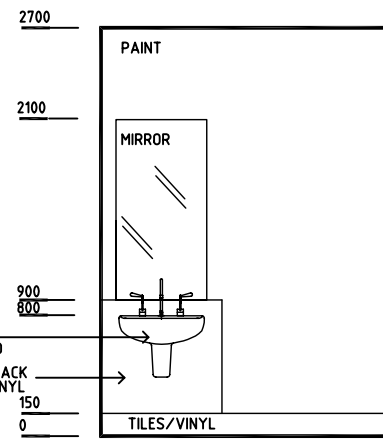
- COH COAT HOOK
- EC EMERGENCY CALL (OPTIONAL)
- FW FLOOR WASTE
- GPO/2 GENERAL POWER OUTLET, DOUBLE
- GPO/C GENERAL POWER OUTLET, CLEANER'S
- GR GRAB RAIL
- LS LIGHT SWITCH
- NA NURSE ASSIST (OPTIONAL)
- NC NURSE CALL (OPTIONAL)
- DPT DISPENSER PAPER TOWEL
- DS DISPENSER SOAP
- TPH TOILET PAPER HOLDER
- V1 VINYL FLOORING, STANDARD
- DP DOOR AND FRAME PROTECTION



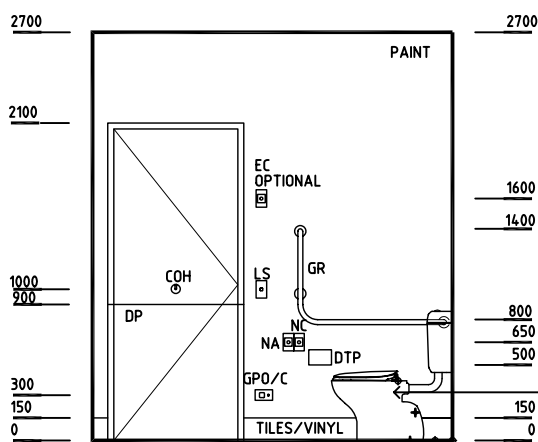
**PLAN**



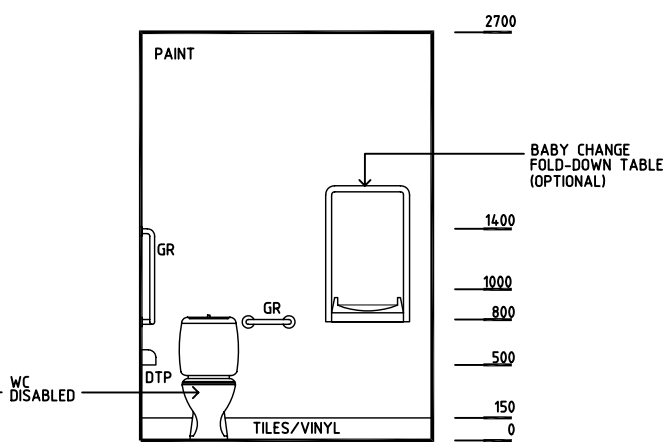
**ELEVATION 1**



**ELEVATION 2**



**ELEVATION 3**



**ELEVATION 4**

| Rev | Revision Description | Date     | Rev | Revision Description | Date | Rev | Revision Description | Date |
|-----|----------------------|----------|-----|----------------------|------|-----|----------------------|------|
| 1   | FIRST ISSUE          | 27.9.04  |     |                      |      |     |                      |      |
| 2   | DRAWING REVISED      | 22.10.04 |     |                      |      |     |                      |      |