

# DGHDP STANDARD COMPONENTS

Room Layout Sheet

Department **Ultra Isolation Facility**

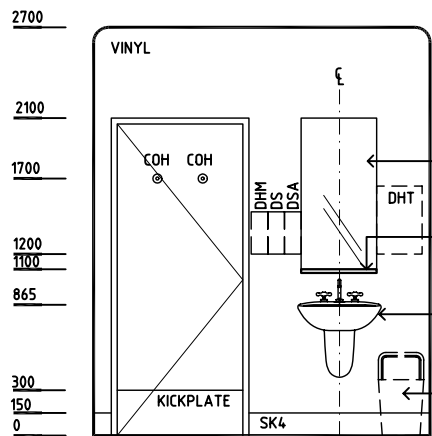
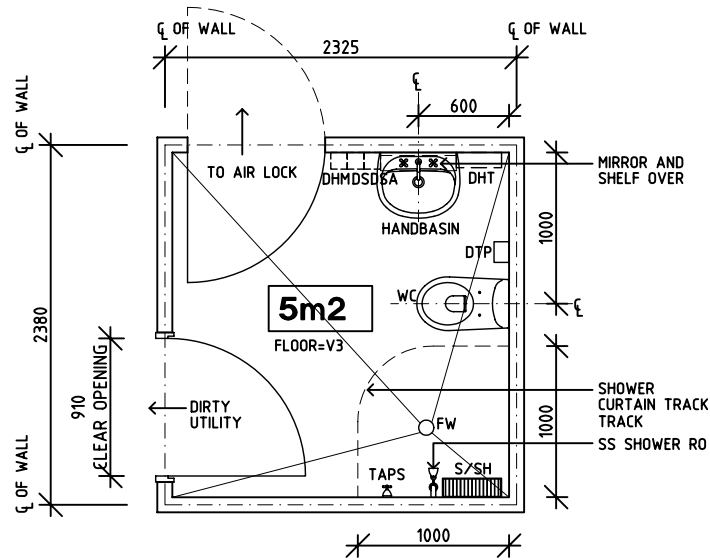
Room Name **Staff Change**

ID No **UIF-SC**

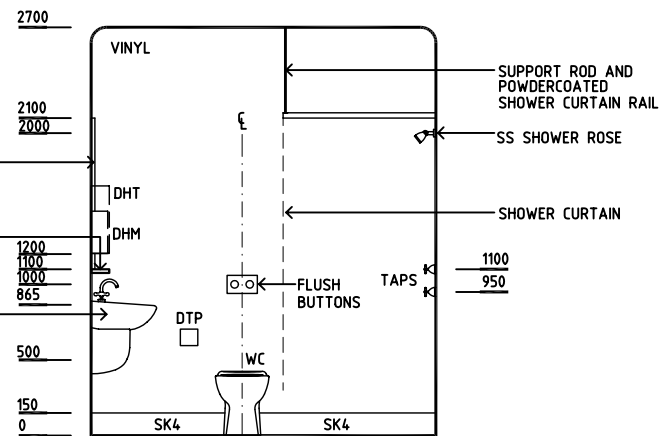
- COH COAT HOOK
- DTP DISPENSER - TOILET PAPER
- DHT DISPENSER - HAND TOWEL
- DHM DISPENSER - HAND MOISTURER
- DS DISPENSER - SOAP
- DSA DISPENSER - SOAP ANTISEPTIC
- FW FLOOR WASTE
- GPO/2 GENERAL PURPOSE OUTLET-DOUBLE
- LS LIGHT SWITCH
- OP OBSERVATION PANEL
- S/SH SOAP AND SHAMPOO HOLDER
- SK4 FLOOR VINYL COVERED SKIRTING
- V3 VINYL FLOOR - STUDDED



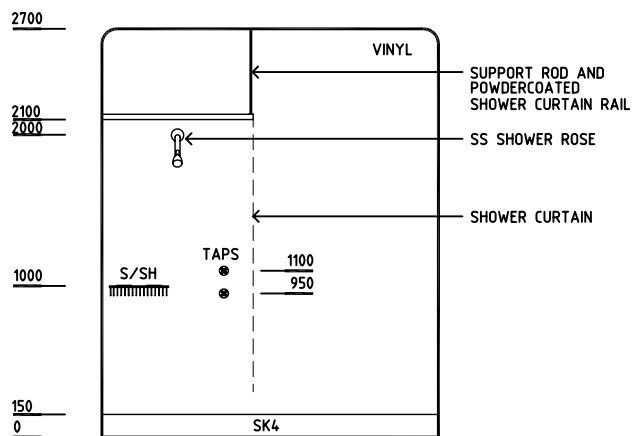
**PLAN**



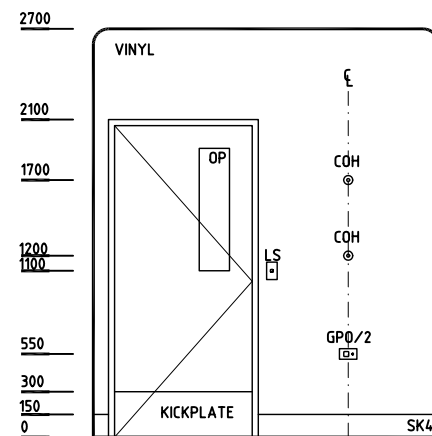
**ELEVATION 1**



**ELEVATION 2**



**ELEVATION 3**



**ELEVATION 4**

Rev	Revision Description	Date	Rev	Revision Description	Date	Rev	Revision Description	Date
1	FIRST ISSUE	27.9.04						
2	DRAWING REVISED	22.10.04						