

DGHDP STANDARD COMPONENTS

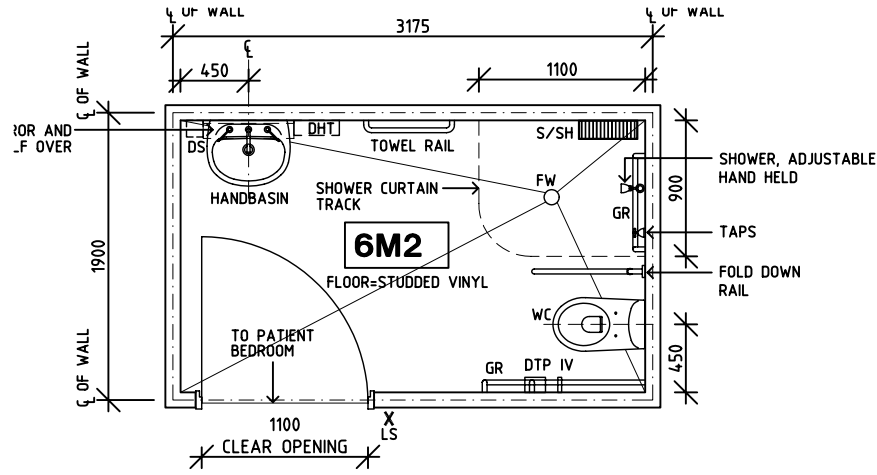
Room Layout Sheet

Department **Ultra Isolation Facility**

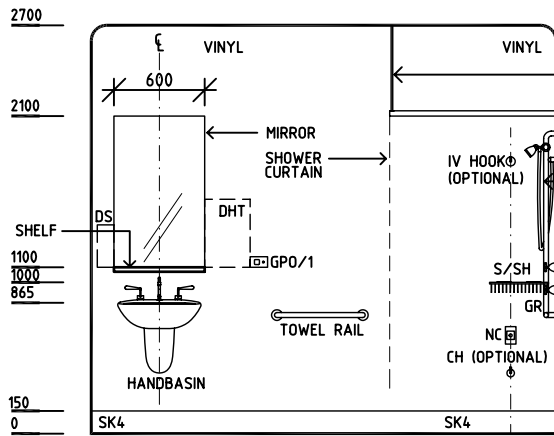
Room Name **Ensuite**

ID No **UIF-ENS**

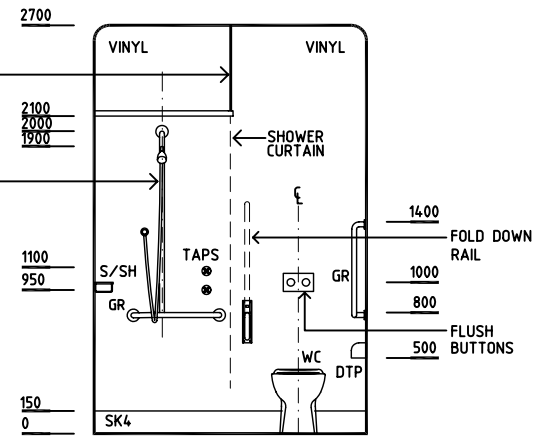
- CH CATHETER HOOK
- COH COAT HOOK
- DTP DISPENSER - TOILET PAPER
- DHT DISPENSER - HAND TOWEL
- DS DISPENSER - SOAP
- DP DOOR AND FRAME PROTECTION
- EC EMERGENCY CALL
- FW FLOOR WASTE
- GR GRAB RAIL
- GPO/1 GENERAL PURPOSE OUTLET-SINGLE
- GPO/1EP EMERGENCY POWER - SINGLE
- GPO/C GENERAL PURPOSE OUTLET-CLEANER'S
- IV IV HOOK
- LS LIGHT SWITCH
- NA NURSE ASSIST
- NC NURSE CALL
- O OXYGEN
- S SUCTION
- S/SH SOAP AND SHAMPOO HOLDER
- SK4 FLOOR VINYL COVERED SKIRTING



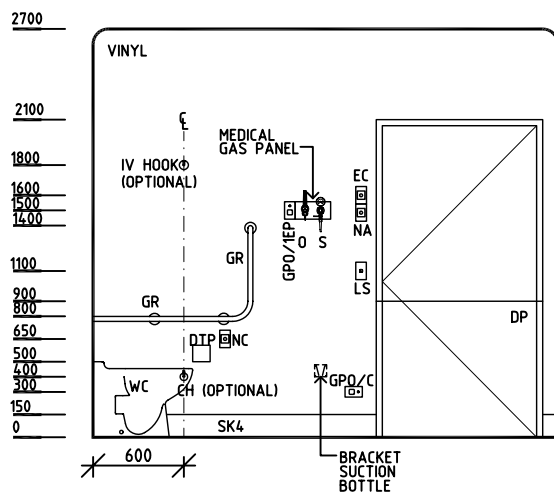
PLAN



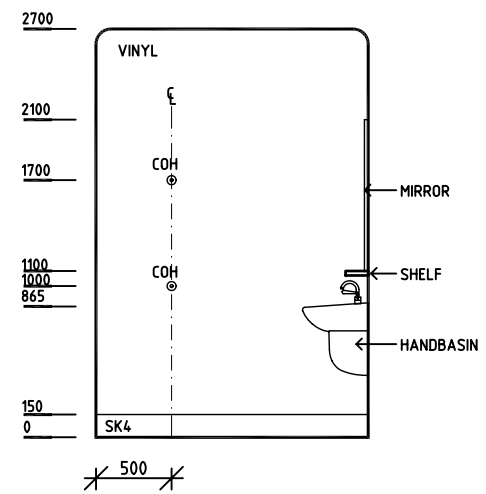
ELEVATION 1



ELEVATION 2



ELEVATION 3



ELEVATION 4

Rev	Revision Description	Date	Rev	Revision Description	Date	Rev	Revision Description	Date
1	FIRST ISSUE	27.9.04						
2	DRAWING REVISED	22.10.04						