

DGHDP STANDARD COMPONENTS

Room Layout Sheet

Department **Ultra Isolation Facility**

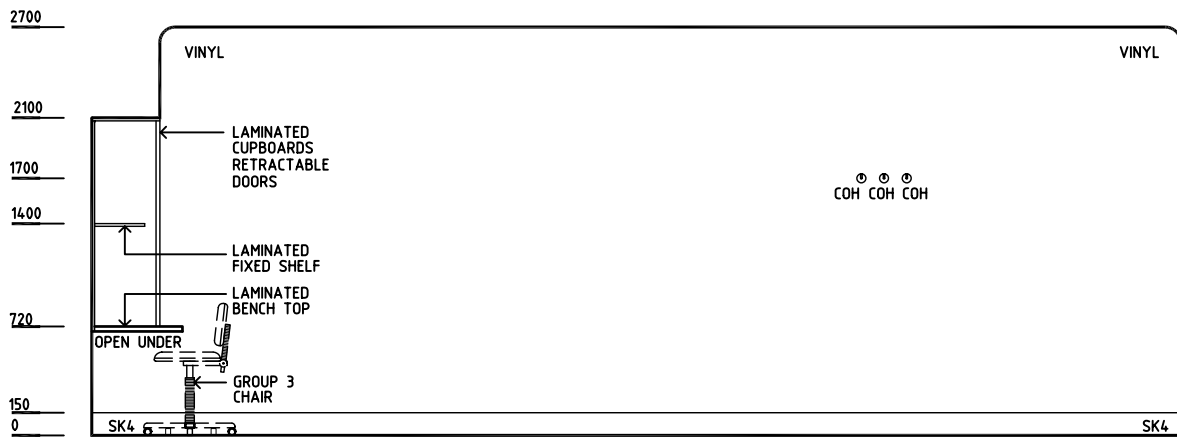
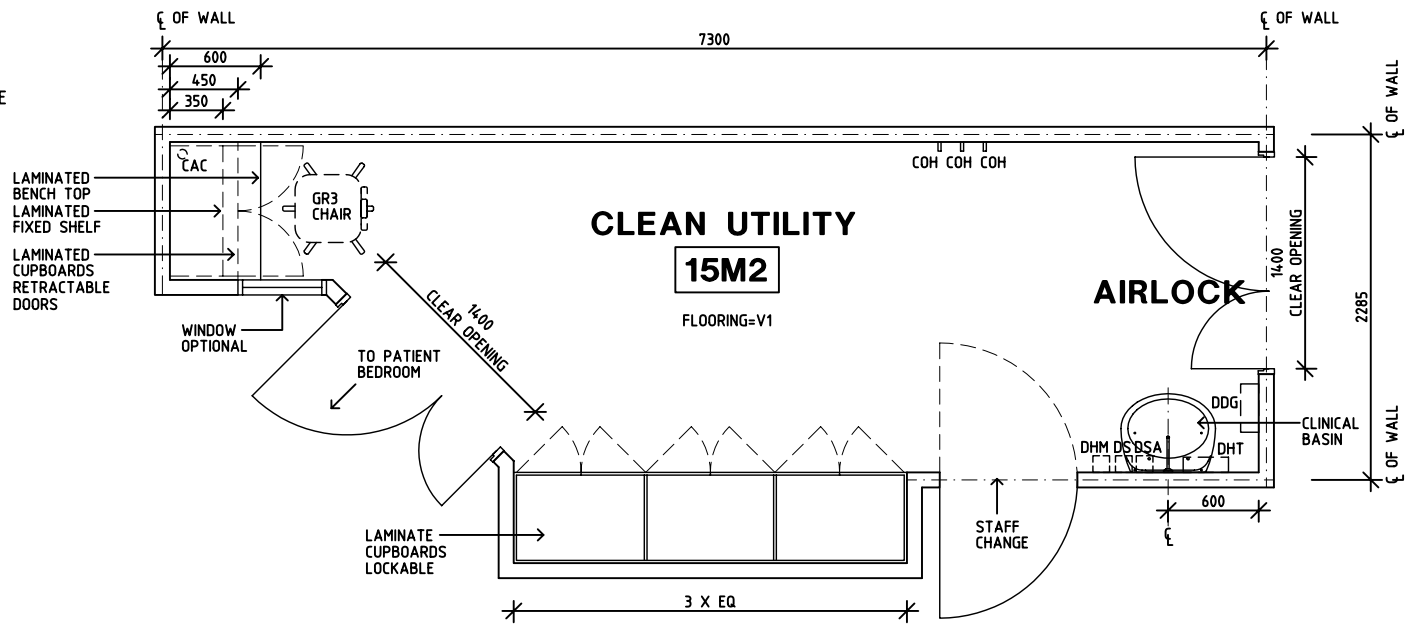
Room Name **Airlock/Clean Utility**

ID No **UIF-CU**

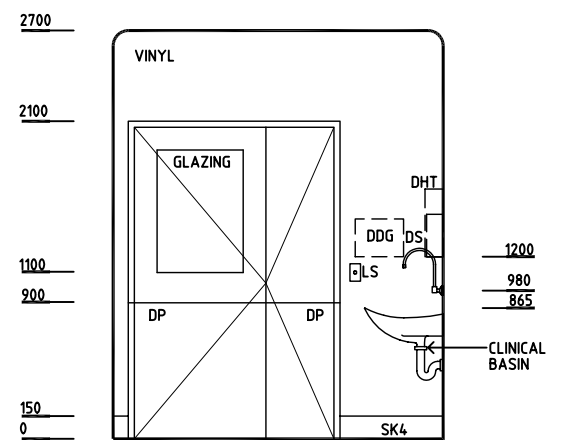
- AS ADJUSTABLE SHELF
- CAC CABLE ACCESS CAP
- COM/2 COMMUNICATION OUTLET, DOUBLE
- COH COAT HOOK
- DDG DISPENSER - DISPOSABLE GLOVES
- DHT DISPENSER - HAND TOWEL
- DHM DISPENSER - HAND MOISTURER
- DS DISPENSER - SOAP
- DSA DISPENSER - SOAP ANTISEPTIC
- DP DOOR AND FRAME PROTECTION
- FS FIXED SHELF
- G GLAZING
- GPO/2 GENERAL PURPOSE OUTLET-DOUBLE
- GPO/EP2 EMERGENCY POWER OUTLET - DOUBLE
- LS LIGHT SWITCH
- OP OBSERVATION PANEL
- SK4 FLOOR VINYL COVERED SKIRTING
- V1 VINYL FLOORING STANDARD



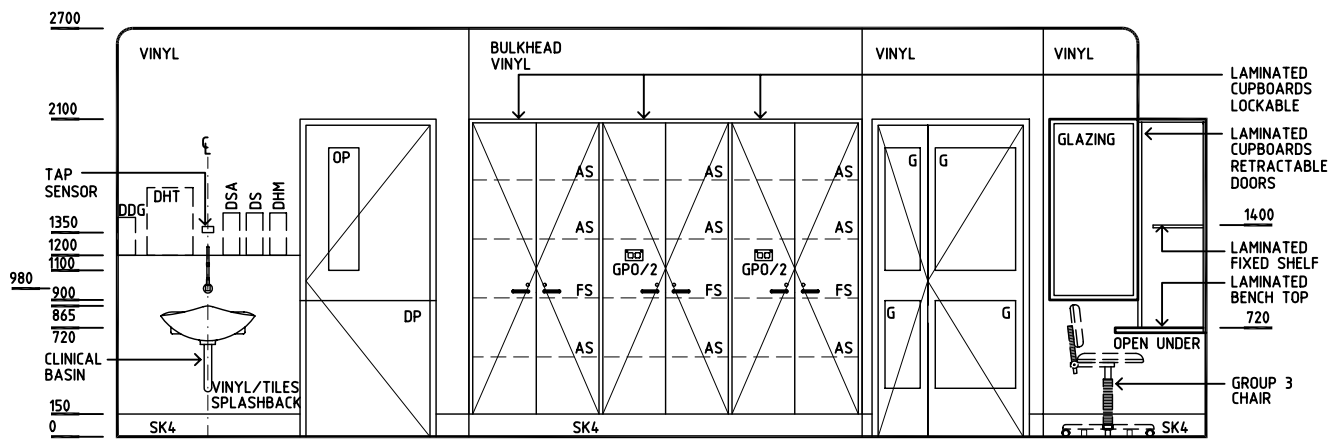
PLAN



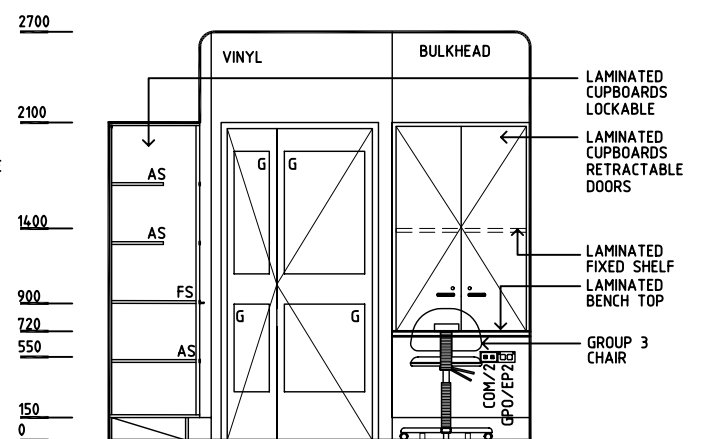
ELEVATION 1



ELEVATION 2



ELEVATION 3



ELEVATION 4

Rev	Revision Description	Date	Rev	Revision Description	Date	Rev	Revision Description	Date
1	FIRST ISSUE	27.9.04						
2	DRAWING REVISED	22.10.04						