

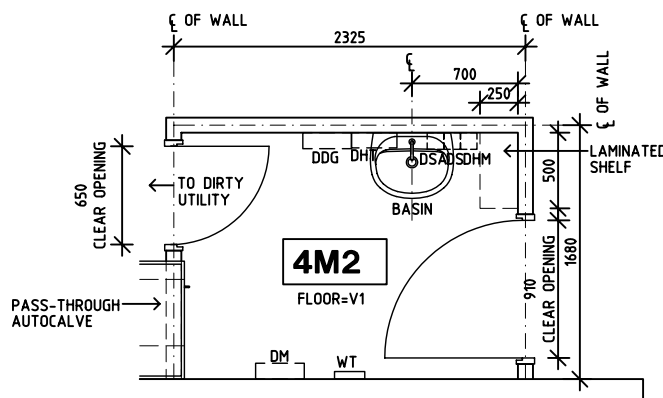
DGHDP STANDARD COMPONENTS

Room Layout Sheet

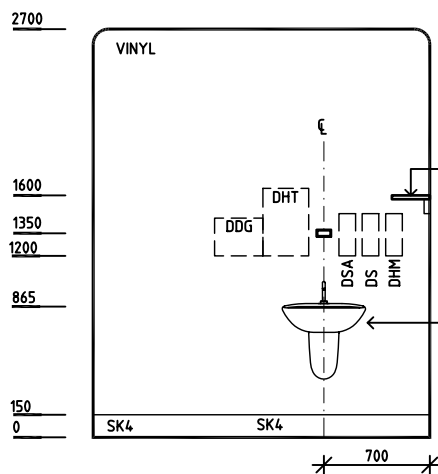
Department **Ultra Isolation Facility**
 Room Name **Air Lock for Autoclave**

ID No **UIF-AL**

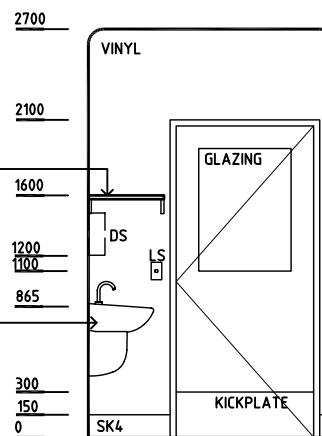
- DDG DISPENSER - DISPOSABLE GLOVES
- DHT DISPENSER - HAND TOWEL
- DHM DISPENSER - HAND MOISTURER
- DM DISPENSER - MASK
- DSA DISPENSER - SOAP ANTISEPTIC
- DS DISPENSER - SOAP
- FW FLOOR WASTE
- G GLAZING
- GPO/C GENERAL PURPOSE OUTLET - CLEANER'S
- LS LIGHT SWITCH
- OP OBSERVATION PANEL
- SK4 FLOOR VINYL COVERED SKIRTING
- SS STAINLESS STEEL
- V1 VINYL FLOORING STANDARD
- WT WALL TELEPHONE



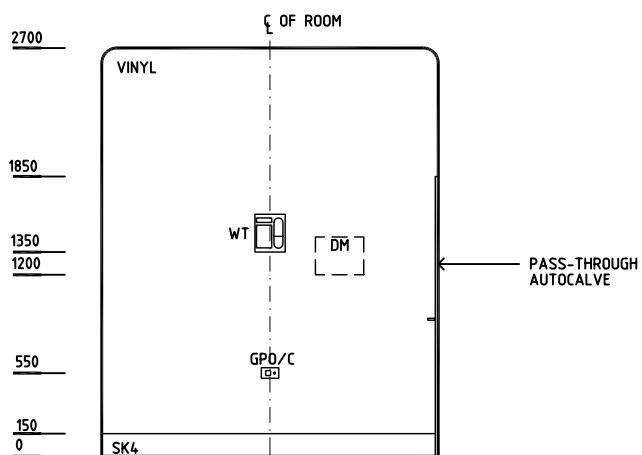
PLAN



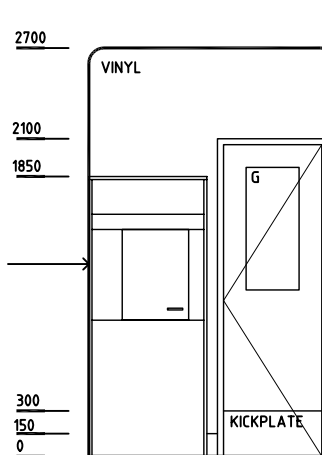
ELEVATION 1



ELEVATION 2



ELEVATION 3



ELEVATION 4

Rev	Revision Description	Date	Rev	Revision Description	Date	Rev	Revision Description	Date
1	FIRST ISSUE	27.9.04						
2	DRAWING REVISED	22.10.04						