

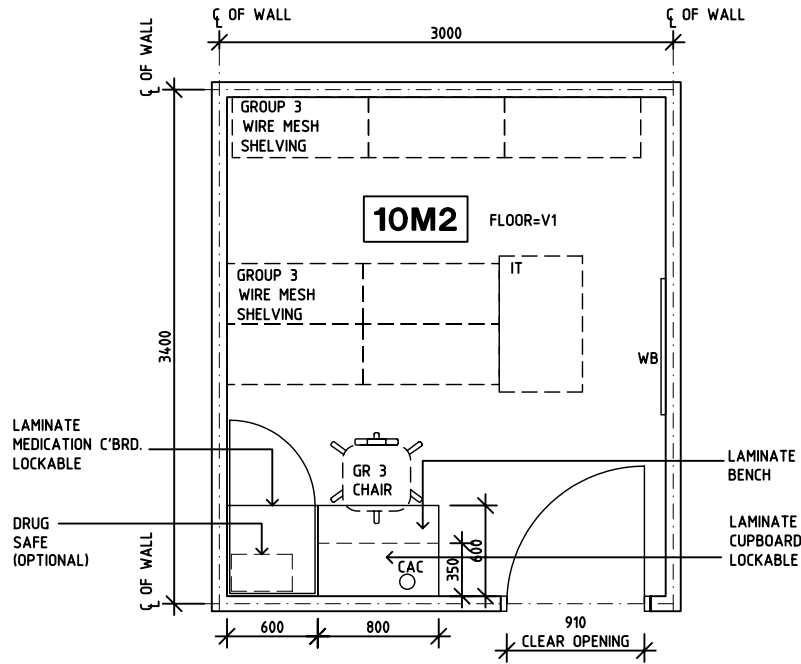
DGHDP STANDARD COMPONENTS

Room Layout Sheet

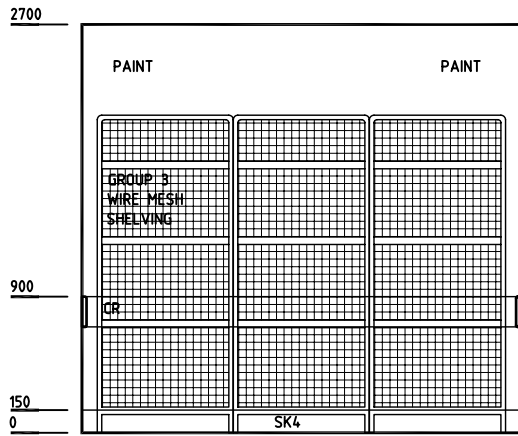
Room Name **Store - Sterile Stock**

ID No **STSS**

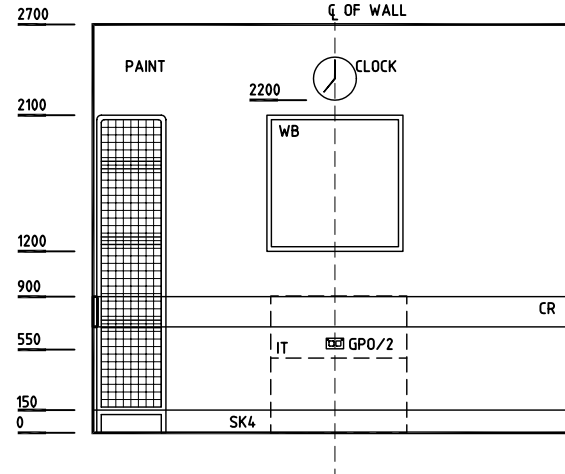
- AS ADJUSTABLE SHELF
- CAC CABLE ACCESS CAP
- COM/2 COMMUNICATIONS OUTLET - DOUBLE
- CR CRASH RAIL
- DP DOOR & FRAME PROTECTION
- FS FIXED SHELF
- GPO/2 GENERAL PURPOSE OUTLET-DOUBLE
- IT INSTRUMENT TROLLEY
- LS LIGHT SWITCH
- OP OBSERVATION PANEL
- SK4 FLOOR VINYL COVERED SKIRTING
- WB WHITEBOARD



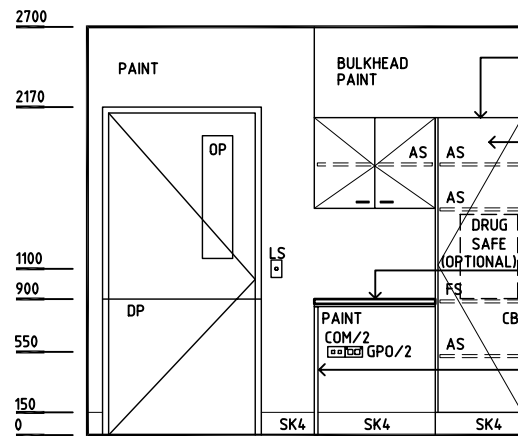
PLAN



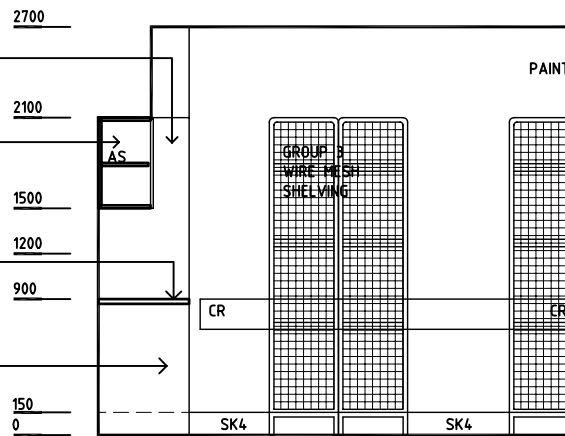
ELEVATION 1



ELEVATION 2



ELEVATION 3



ELEVATION 4

Rev	Revision Description	Date	Rev	Revision Description	Date	Rev	Revision Description	Date
1	FIRST ISSUE	27.9.04						
2	DRAWING REVISED	22.10.04						