

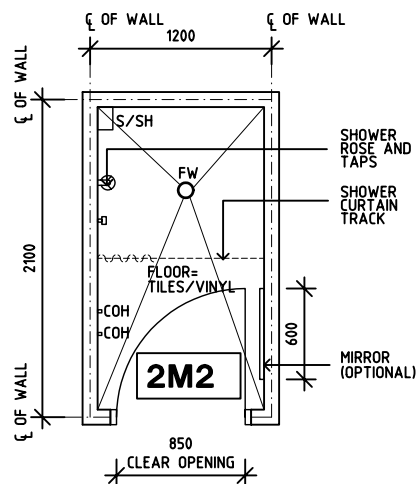
# DGHDP STANDARD COMPONENTS

Room Layout Sheet

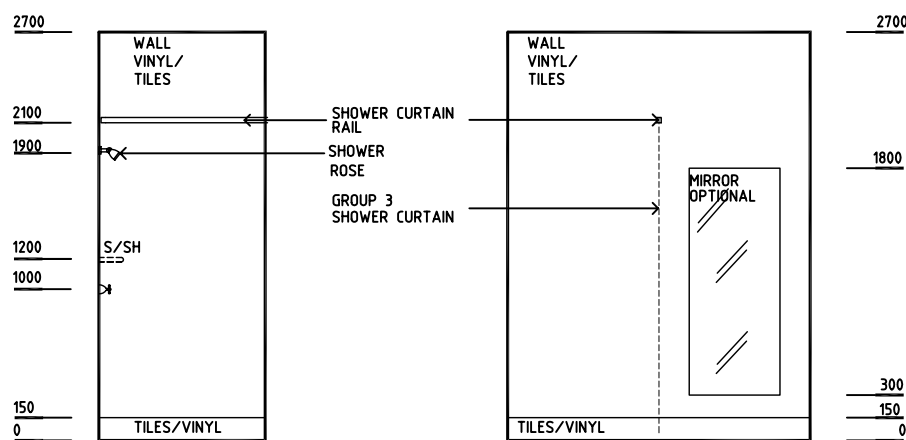
Room Name **Shower - Staff**

ID No **SHST**

COH COAT HOOK  
 FW FLOOR WASTE  
 LS LIGHT SWITCH  
 S/SH SOAP AND SHAMPOO HOLDER

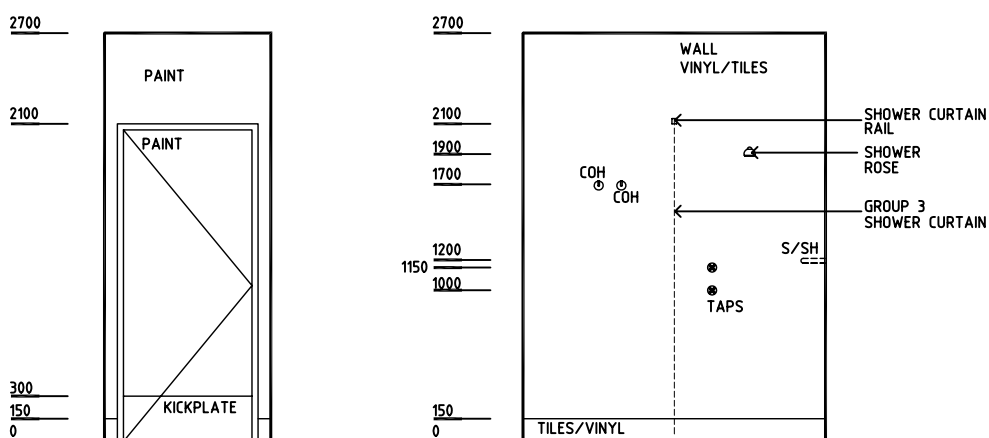


**PLAN**



**ELEVATION 1**

**ELEVATION 2**



**ELEVATION 3**

**ELEVATION 4**

Rev	Revision Description	Date	Rev	Revision Description	Date	Rev	Revision Description	Date
1	FIRST ISSUE	27.9.04						