

# DGHDP STANDARD COMPONENTS

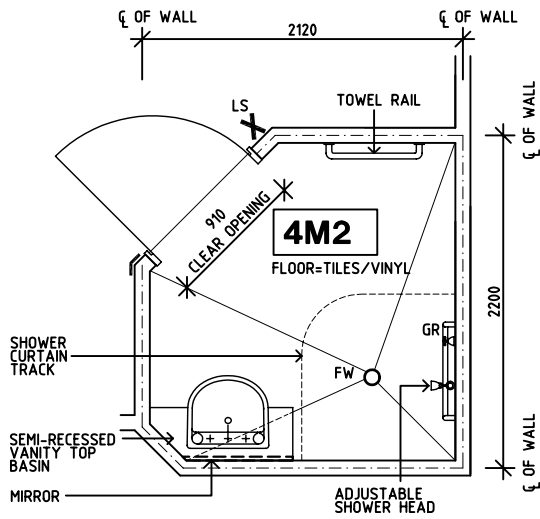
Room Layout Sheet

Room Name **Shower - Patient**

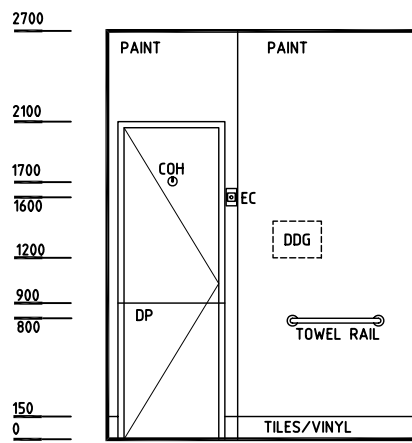
ID No **SHPT**

CH  
COH  
DP  
DPT  
DS  
DDG  
EC  
FW  
GPO/2  
GPO/C  
GR  
IV  
LS  
NA  
NC  
S/SH

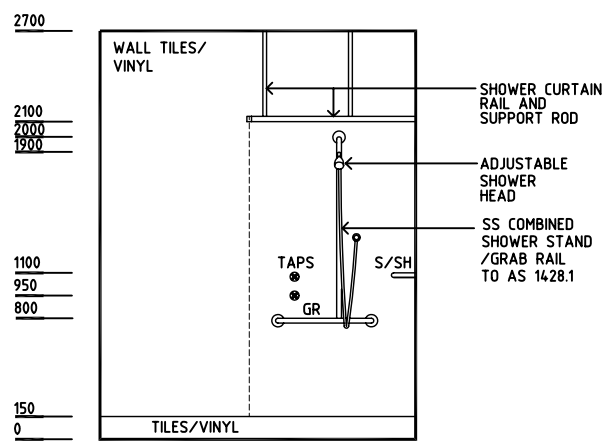
CATHETER HOOK  
COAT HOOK  
DOOR AND FRAME PROTECTION  
DISPENSER PAPER TOWEL  
DISPENSER SOAP  
DISPENSER DISPOSABLE GLOVE  
EMERGENCY CALL  
FLOOR WASTE  
GENERAL POWER OUTLET, DOUBLE  
GENERAL POWER OUTLET, CLEANER'S  
GRAB RAIL  
IV HOOK  
LIGHT SWITCH  
NURSE ASSIST  
NURSE CALL  
SOAP AND SHAMPOO HOLDER



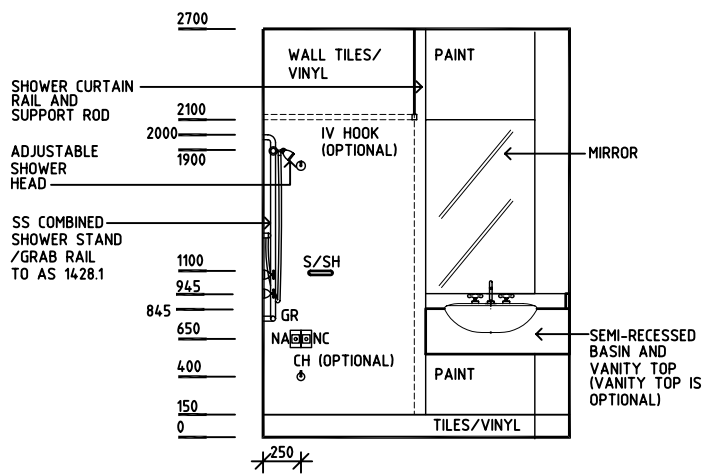
**PLAN**



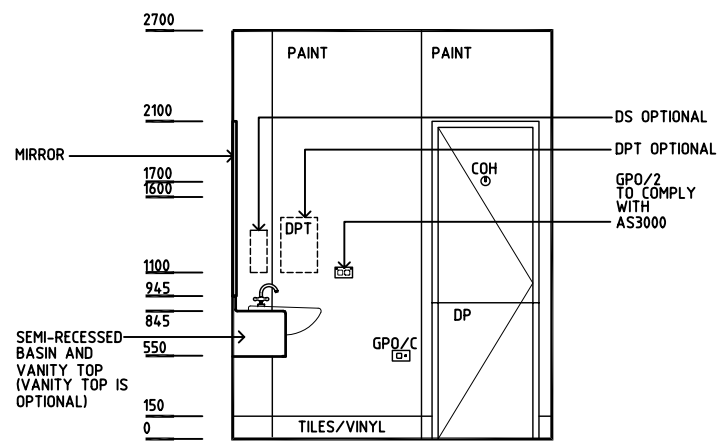
**ELEVATION 1**



**ELEVATION 2**



**ELEVATION 3**



**ELEVATION 4**

Rev	Revision Description	Date	Rev	Revision Description	Date	Rev	Revision Description	Date
1	FIRST ISSUE	27.9.04						
2	DRAWING REVISED	22.10.04						