

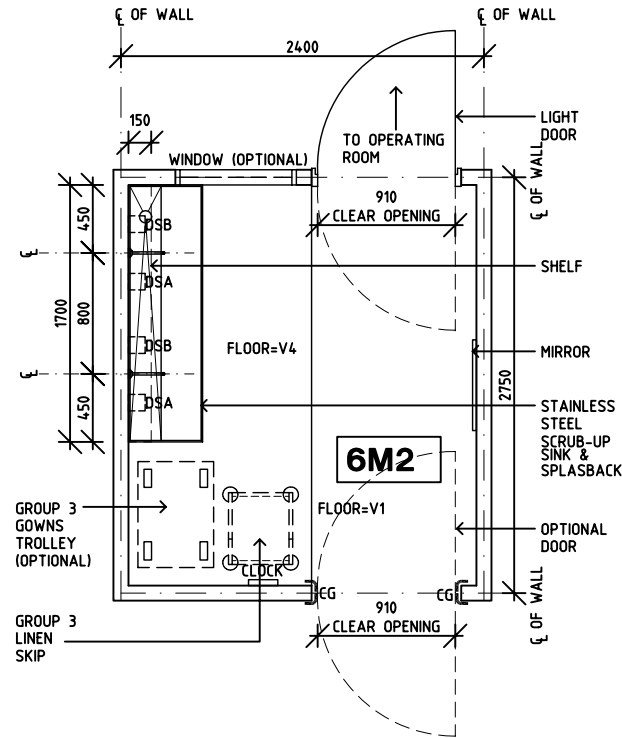
DGHDP STANDARD COMPONENTS

Room Layout Sheet

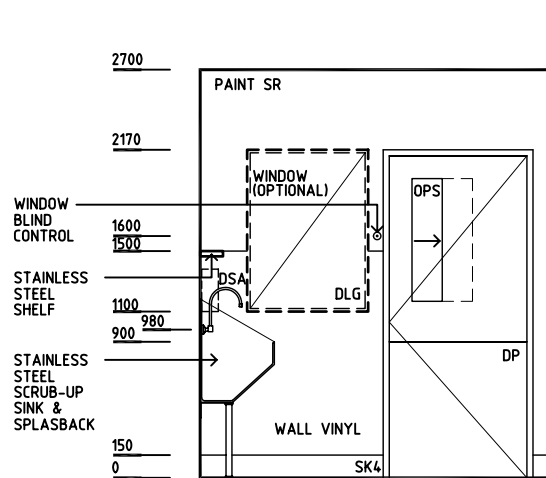
Room Name **Scrub Up / Gowning**

ID No **SCRB**

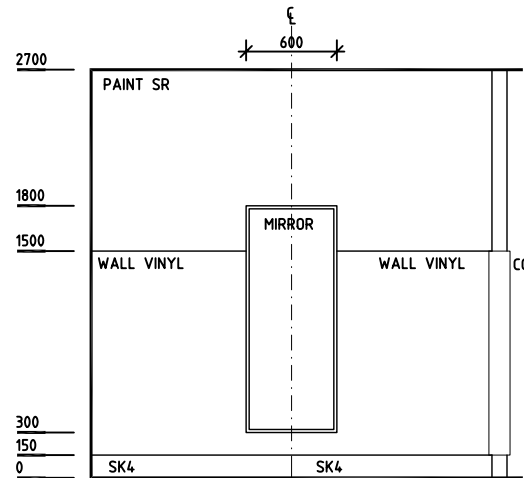
- CG CORNER GUARD
- DGL DOUBLE GLAZED WITH VENETIANS BLINDS
- DSA DISPENSER - SOAP ANTISEPTIC
- DSB DISPENSER - SCRUB BRUSH
- DP DOOR AND FRAME PROTECTION
- OPS OBSERVATION PANEL WITH SLIDING COVER
- SK4 FLOOR VINYL COVERED SKIRTING
- SS STAINLESS STEEL
- SR SCRUB RESISTANT
- V1 VINYL FLOORING, STANDARD
- V4 VINYL FLOORING, SAFETY VINYL



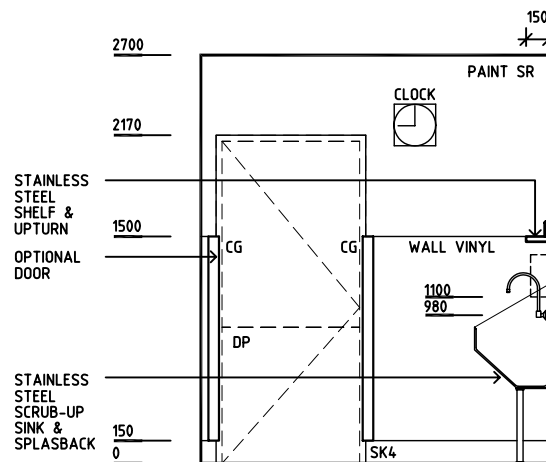
PLAN



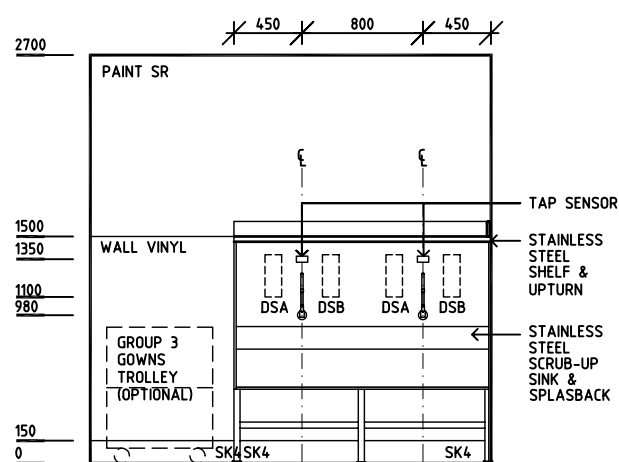
ELEVATION 1



ELEVATION 2



ELEVATION 3



ELEVATION 4

Rev	Revision Description	Date	Rev	Revision Description	Date	Rev	Revision Description	Date
1	FIRST ISSUE	27.9.04						
2	DRAWING REVISED	22.10.04						

Drawn	Checked	Date	Scale	Sheet
CC	DB	22.10.04	1:50 in A3	1 of 1
CAD File		Drawing No.		Issue
SCRB		SCRB		2