

# DGHDP STANDARD COMPONENTS

Room Layout Sheet

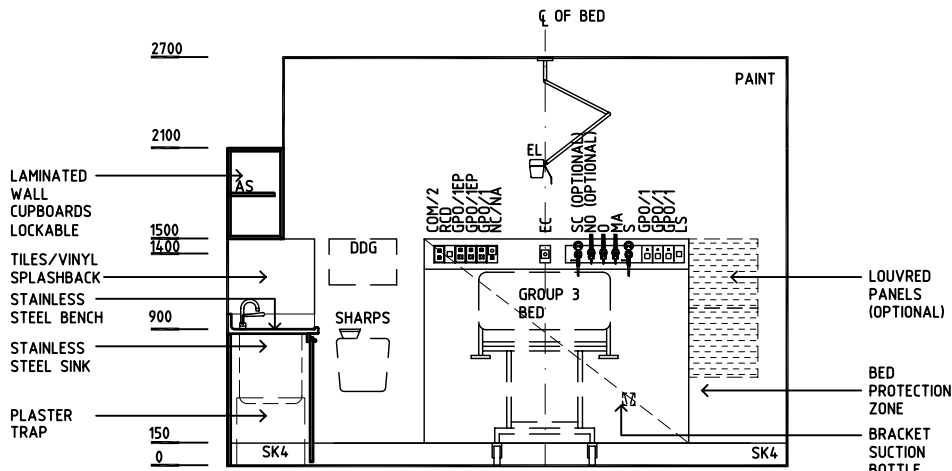
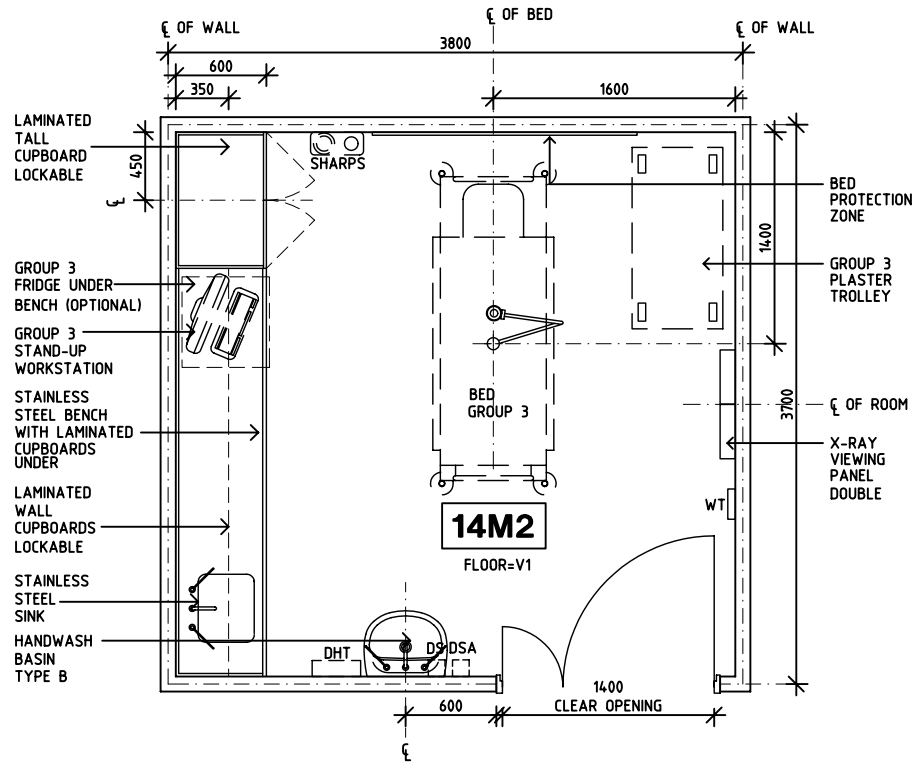
Room Name **Plaster room**

ID No **PLST**

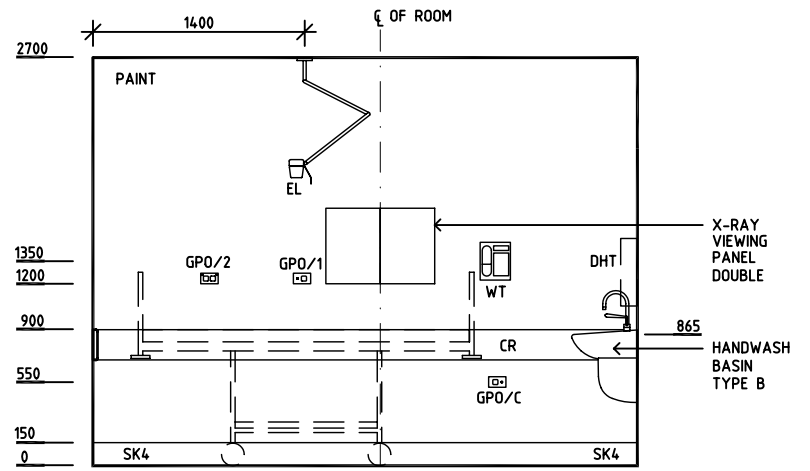
- AS ADJUSTABLE SHELF
- COM/2 COMMUNICATION OUTLET-DOUBLE
- CR CRASH RAIL
- DDG DISPENSER-DISPOSABLE GLOVES
- DHT DISPENSER-HAND TOWEL
- DP DOOR AND FRAME PROTECTION
- DS DISPENSER-SOAP
- DSA DISPENSER-SOAP ANTISEPTIC
- EC EMERGENCY CALL
- GPO/1 GENERAL PURPOSE OUTLET/ SINGLE
- GPO/2 GENERAL PURPOSE OUTLET/ DOUBLE
- GPO/1EP EMERGENCY POWER - SINGLE
- GPO/C GENERAL PURPOSE OUTLET/ CLEANER'S
- LS LIGHT SWITCH
- MA MEDICAL AIR
- NA NURSE ASSIST
- NC NURSE CALL
- NO NITROUS OXIDE
- O OXYGEN
- RCD RESIDUAL CURRENT DEVICE
- S SUCTION
- SC SCAVENGE
- SK4 FLOOR VINYL COVERED SKIRTING
- SS STAINLESS STEEL
- V1 VINYL FLOORING, STANDARD
- WT WALL TELEPHONE



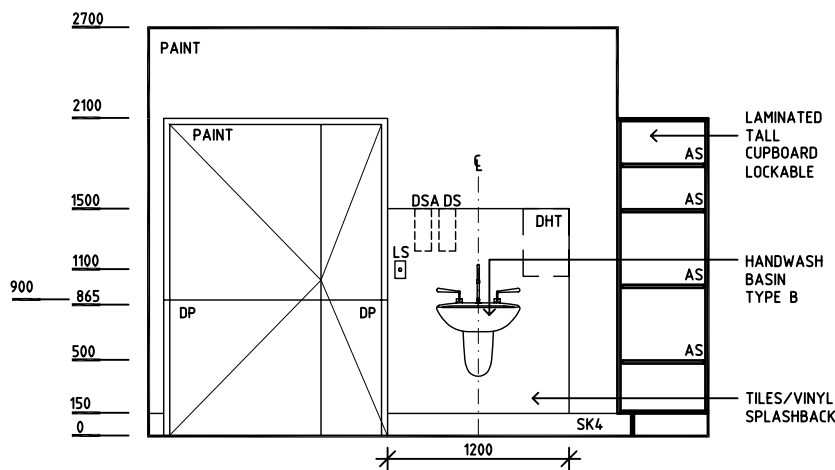
**PLAN**



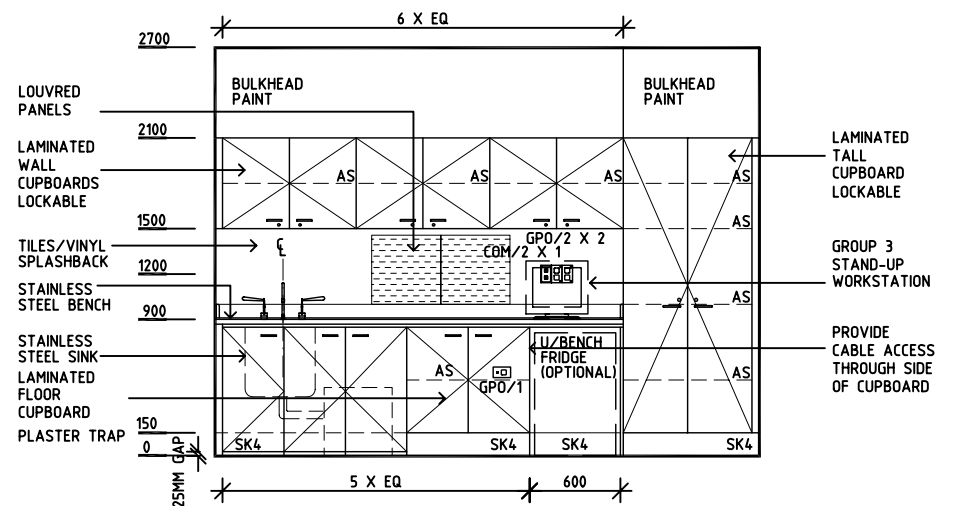
**ELEVATION 1**



**ELEVATION 2**



**ELEVATION 3**



**ELEVATION 4**

Rev	Revision Description	Date	Rev	Revision Description	Date	Rev	Revision Description	Date
1	FIRST ISSUE	27.9.04						
2	DRAWING REVISED	22.10.04						