

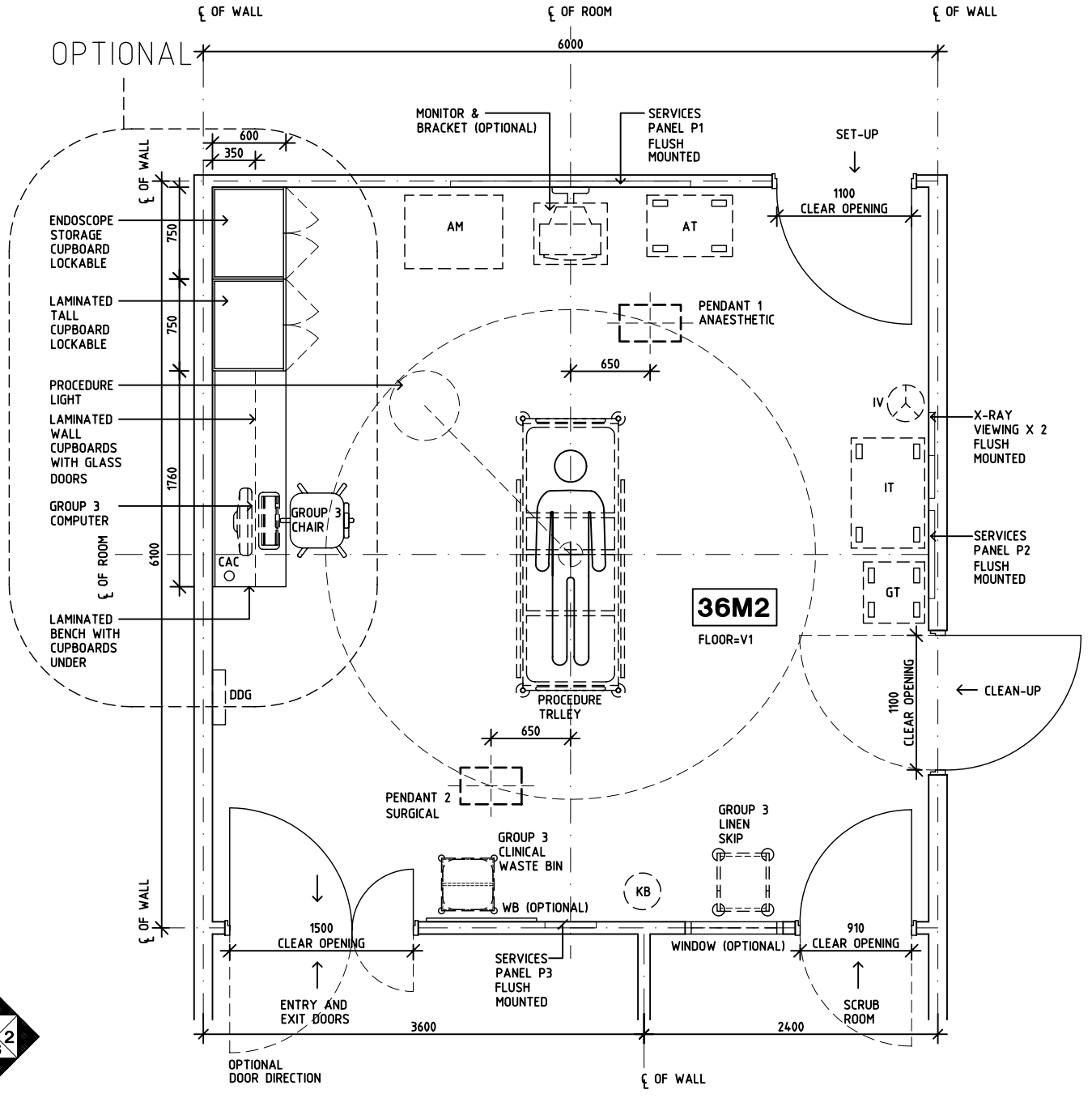
# DGHDP STANDARD COMPONENTS

Room Layout Sheet

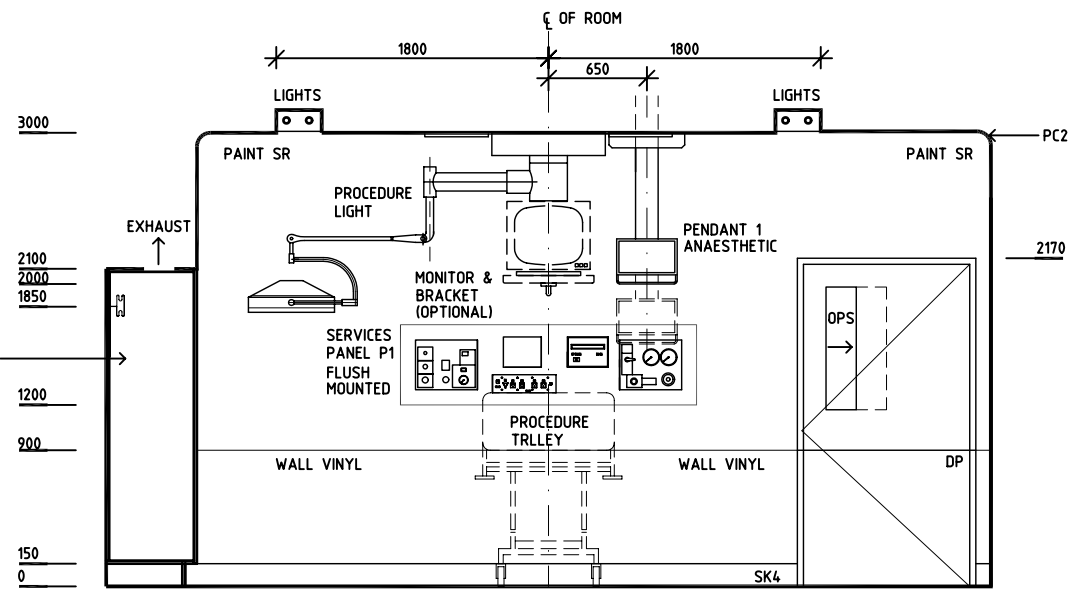
Room Name **Operating Room - Minor**

ID No **ORMS**

- AM ANAESTHETIC MACHINE
  - AT ANAESTHETIC TROLLEY
  - AS ADJUSTABLE SHELF
  - COM/2 COMMUNICATION OUTLET - DOUBLE
  - CAC CABLE ACCESS CAP
  - DGL DOUBLE GLAZED WITH VENETIAN BLINDS
  - DDG DISPENSER - DISPOSABLE GLOVE
  - DP DOOR AND FRAME PROTECTION
  - ELCB'S EARTH LEAKAGE CIRCUIT BREAKERS
  - EPJ EQUIPOTENTIAL JUNCTION BOX
  - GPO/1 GENERAL PURPOSE OUTLET - SINGLE
  - GPO/1 EP EMERGENCY POWER - SINGLE
  - GPO/2 GENERAL PURPOSE OUTLET - DOUBLE
  - GT GOWNING TROLLEY
  - IV INTRAVENOUS STAND
  - IT INSTRUMENT TROLLEY
  - KB KICK BUCKET
  - OPS OBSERVATION PANEL WITH SLIDING PANEL
  - PC2 90 mm PLASTERBOARD CORNICE FLUSH
  - SK4 FLOOR VINYL COVERED SKIRTING
  - SR SCRUB RESISTANT
  - TV TELEVISION BRACKET
  - V1 VINYL FLOORING, STANDARD
  - WB WHITEBOARD
- 
- SERVICES PANEL P1
    - GPO/1 EP X 4
    - ELCB'S
    - SURGICAL TOOL AIR AND CONTROL PANEL
    - TORNICQUET AIR AND CONTROL PANEL
    - GAS ALARM MONITOR
    - EPJ PANEL
  - SERVICES PANEL P2
    - CLOCKS CONTROLS
    - GPO/1 X 2
    - LIGHT SWITCHES
    - OPERATING LIGHT CONTROLS
  - SERVICES PANEL P3
    - NURSE/STAFF ASSIST CALL
    - PORTER CALL (OPTIONAL)
    - EMERGENCY CALL
    - LASER-IN-USE INDICATOR
    - GPO/1 X 2
  - PENDANT 1 ANAESTHETIC
    - COM/2
    - GPO/1 X 4
    - GPO/1 EP X 4
    - OXYGEN X 2
    - NITROUS OXIDE X 1
    - MEDICAL AIR X 1
    - SUCTION X 2
    - SCAVENGING X 1
  - PENDANT 2 SURGICAL
    - COM/2
    - GPO/1 X 4
    - GPO/1 EP X 4
    - OXYGEN X 2
    - NITROUS OXIDE X 1
    - MEDICAL AIR X 1
    - SUCTION X 2
    - SCAVENGING X 1



**PLAN**



**ELEVATION 1**

Rev	Revision Description	Date	Rev	Revision Description	Date	Rev	Revision Description	Date
1	FIRST ISSUE	27.9.04						

<p><b>HEALTH PROJECTS INTERNATIONAL (c)</b>                  Ground Floor, Suite 1, 68 Alfred Street, Milsons Point NSW 2061                  Ph: (02)9460 4199 www.hpi.net.au ACN: 066 856 595</p>	<p>The Department of Human Services, Victoria                  Design guidelines for hospitals and day procedure centres</p>		<b>Drawn</b>	<b>Checked</b>	<b>Date</b>	<b>Scale</b>	<b>Sheet</b>
			JT	DB	27.9.04	1:50 in A3	1 of 2
			CAD File		Drawing No.		Issue
ORMS		<b>ORMSa</b>		<b>1</b>			

# DGHDP STANDARD COMPONENTS

Room Layout Sheet

Room Name **Operating Room - Minor**

ID No **ORMS**

- AM ANAESTHETIC MACHINE
- AT ANAESTHETIC TROLLEY
- AS ADJUSTABLE SHELF
- COM/2 COMMUNICATION OUTLET - DOUBLE
- CAC CABLE ACCESS CAP
- DGL DOUBLE GLAZED WITH VENETIAN BLINDS
- DDG DISPENSER - DISPOSABLE GLOVE
- DP DOOR AND FRAME PROTECTION
- ELCB'S EARTH LEAKAGE CIRCUIT BREAKERS
- EPJ EQUIPOTENTIAL JUNCTION BOX
- GPO/1 GENERAL PURPOSE OUTLET - SINGLE
- GPO/1 EP EMERGENCY POWER - SINGLE
- GPO/2 GENERAL PURPOSE OUTLET - DOUBLE
- GPO/C GENERAL PURPOSE OUTLET - CLEANER'S
- GT GOWNING TROLLEY
- IV INTRAVENOUS STAND
- IT INSTRUMENT TROLLEY
- KB KICK BUCKET
- OPS OBSERVATION PANEL WITH SLIDING PANEL
- PC2 90 mm PLASTERBOARD CORNICE
- SK4 FLOOR VINYL COVERED SKIRTING
- SR SCRUB RESISTANT
- TV TELEVISION BRACKET
- V1 VINYL FLOORING, STANDARD
- WB WHITEBOARD

SERVICES PANEL P1

- GPO/1 EP X 4
- ELCB'S
- SURGICAL TOOL AIR AND CONTROL PANEL
- TORNIQUET AIR AND CONTROL PANEL
- GAS ALARM MONITOR
- EPJ PANEL

SERVICES PANEL P2

- CLOCKS CONTROLS
- GPO/1 X 2
- LIGHT SWITCHES
- OPERATING LIGHT CONTROLS

SERVICES PANEL P3

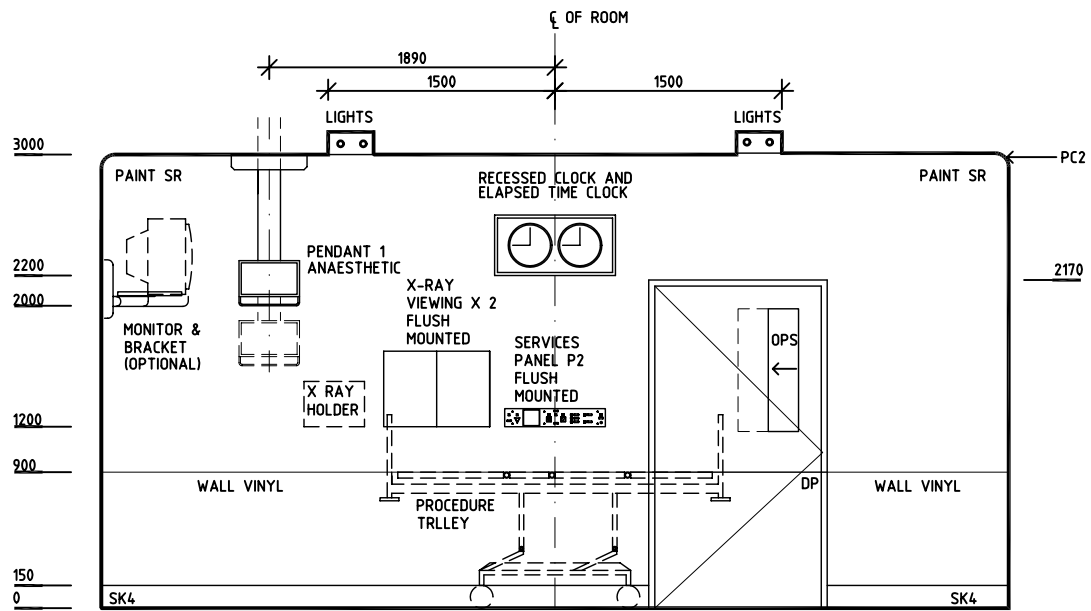
- NURSE/STAFF ASSIST CALL
- PORTER CALL (OPTIONAL)
- EMERGENCY CALL
- LASER-IN-USE INDICATOR
- GPO/1 X 2

PENDANT 1 ANAESTHETIC

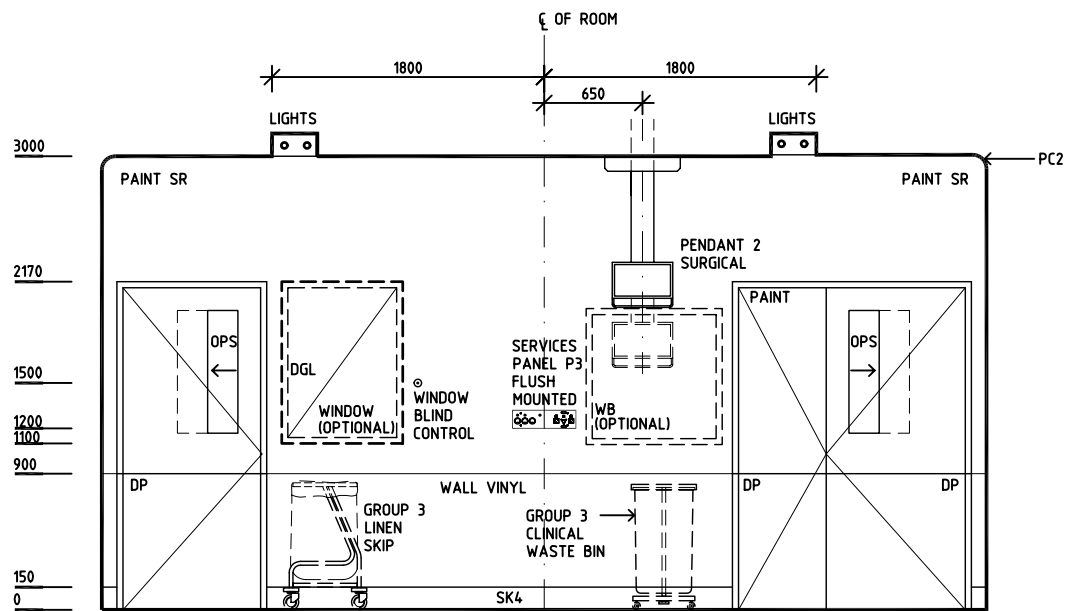
- COM/2
- GPO/1 X 4
- GPO/1 EP X 4
- OXYGEN x 2
- NITROUS OXIDE x 1
- MEDICAL AIR x 1
- SUCTION X 2
- SCAVENGING x 1

PENDANT 2 SURGICAL

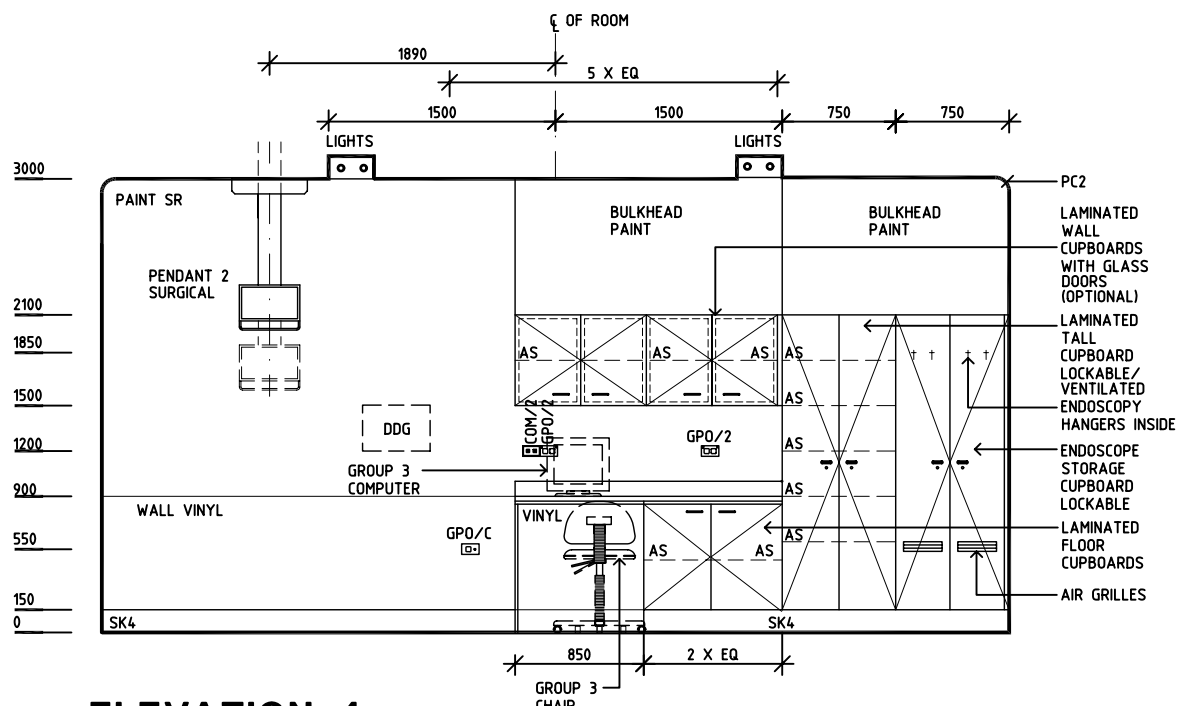
- COM/2
- GPO/1 X 4
- GPO/1 EP X 4
- OXYGEN x 2
- NITROUS OXIDE x 1
- MEDICAL AIR x 1
- SUCTION X 2
- SCAVENGING x 1



**ELEVATION 2**



**ELEVATION 3**



**ELEVATION 4**

Rev	Revision Description	Date	Rev	Revision Description	Date	Rev	Revision Description	Date
1	FIRST ISSUE	27.9.04						
2	DRAWING REVISED	22.10.04						