

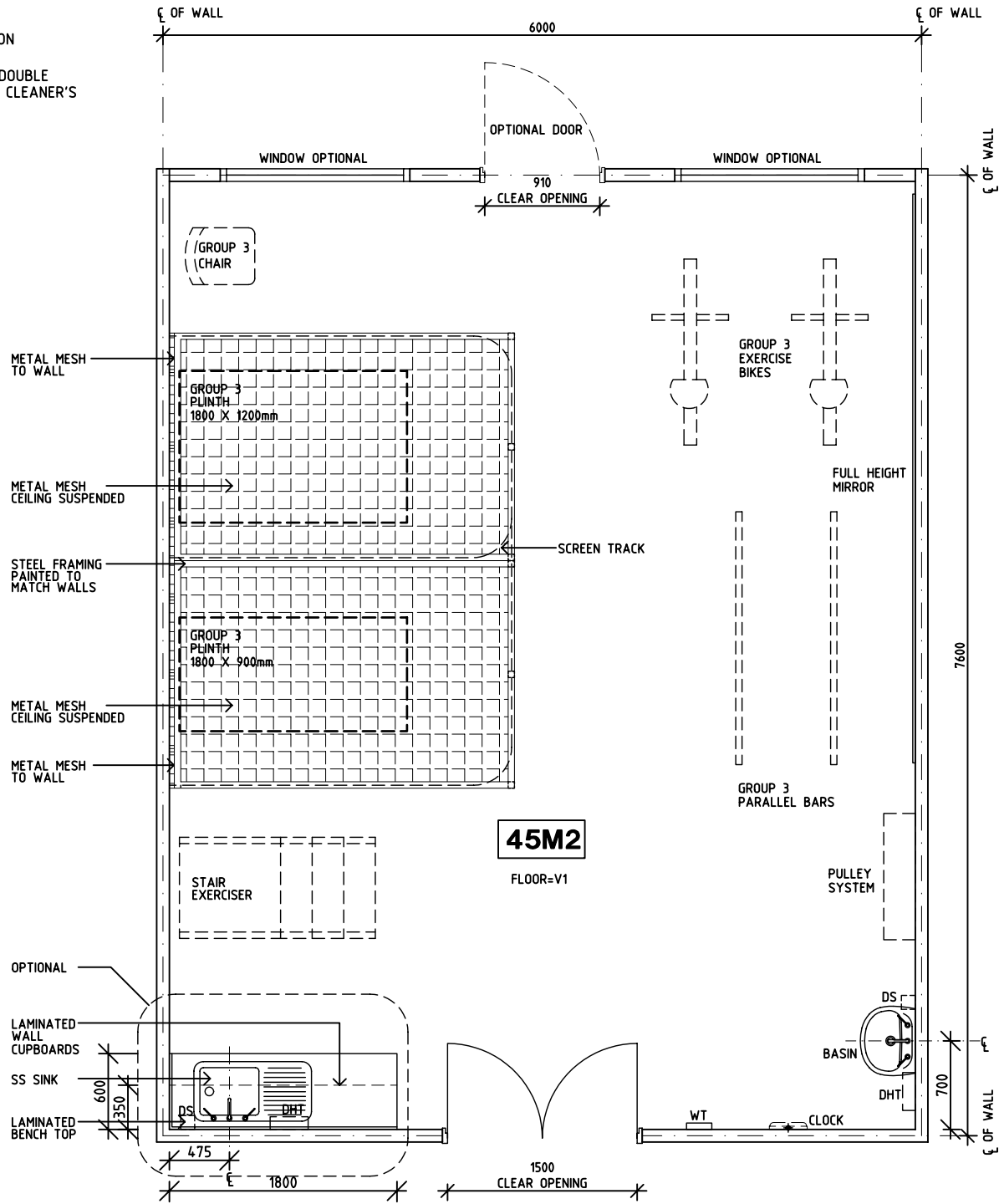
# DGHDP STANDARD COMPONENTS

Room Layout Sheet

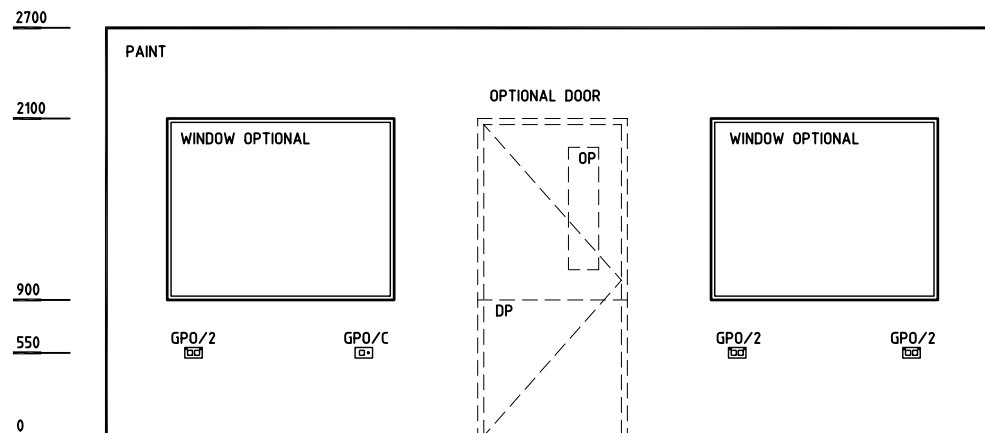
Room Name **Gymnasium**

ID No **GYAH**

- AS ADJUSTABLE SHELF
- COM/2 COMMUNICATIONS OUTLET - DOUBLE
- DHT DISPENSER - HAND TOWEL
- DS DISPENSER - SOAP
- DP DOOR AND FRAME PROTECTION
- EC EMERGENCY CALL
- GPO/2 GENERAL PURPOSE OUTLET-DOUBLE
- GPO/C GENERAL PURPOSE OUTLET- CLEANER'S
- LS LIGHT SWITCH
- NA NURSE ASSIST
- NC NURSE CALL
- OP OBSERVATION PANEL
- SK4 FLOOR VINYL COVERED
- SG SAFETY GLASS
- V1 VINYL FLOORING, STANDARD



**PLAN**



**ELEVATION 1**

Rev	Revision Description	Date	Rev	Revision Description	Date	Rev	Revision Description	Date
1	FIRST ISSUE	27.9.04						
2	DRAWING REVISED	25.10.04						

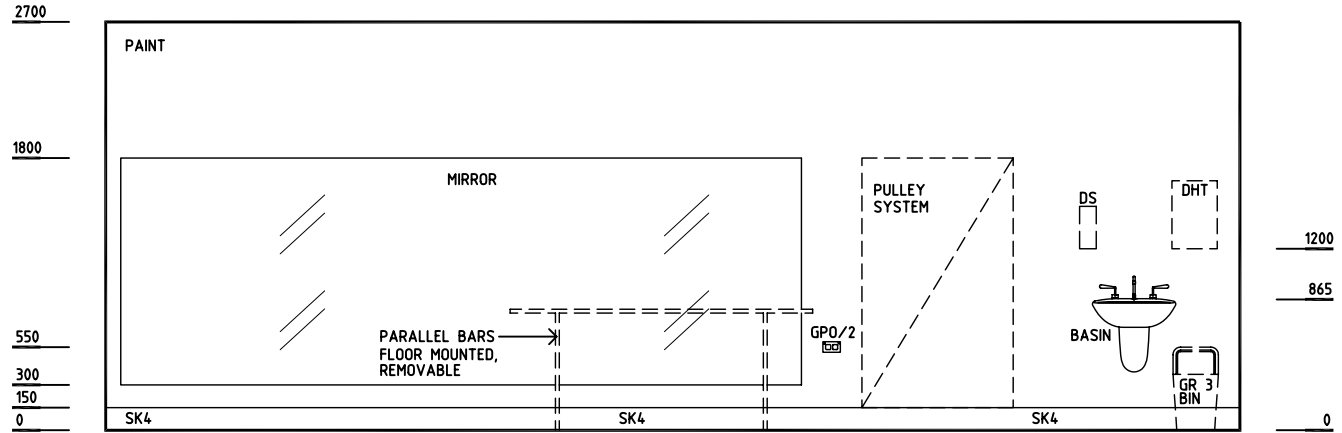
# DGHDP STANDARD COMPONENTS

Room Layout Sheet

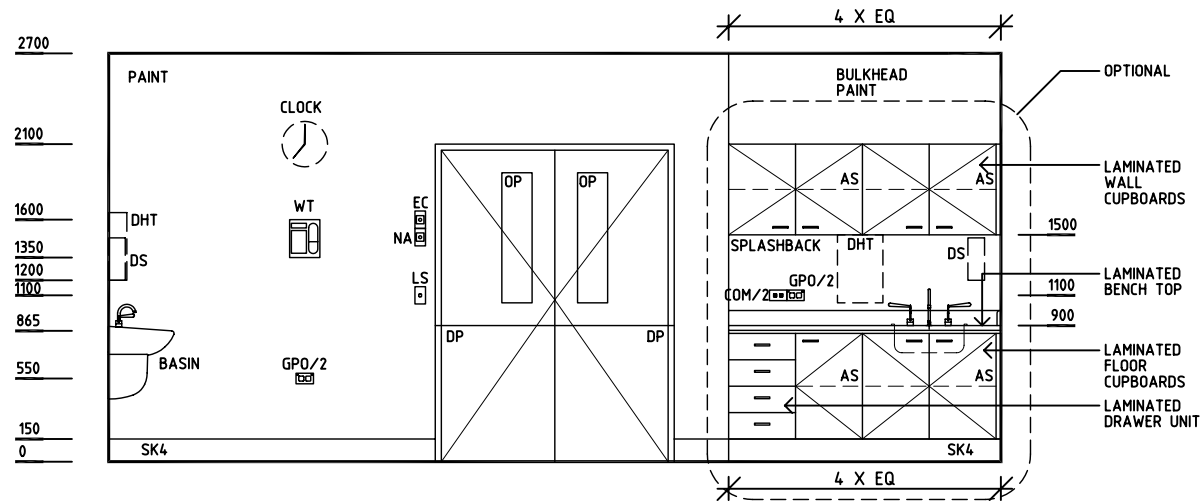
Room Name **Gymnasium**

ID No **GYAH**

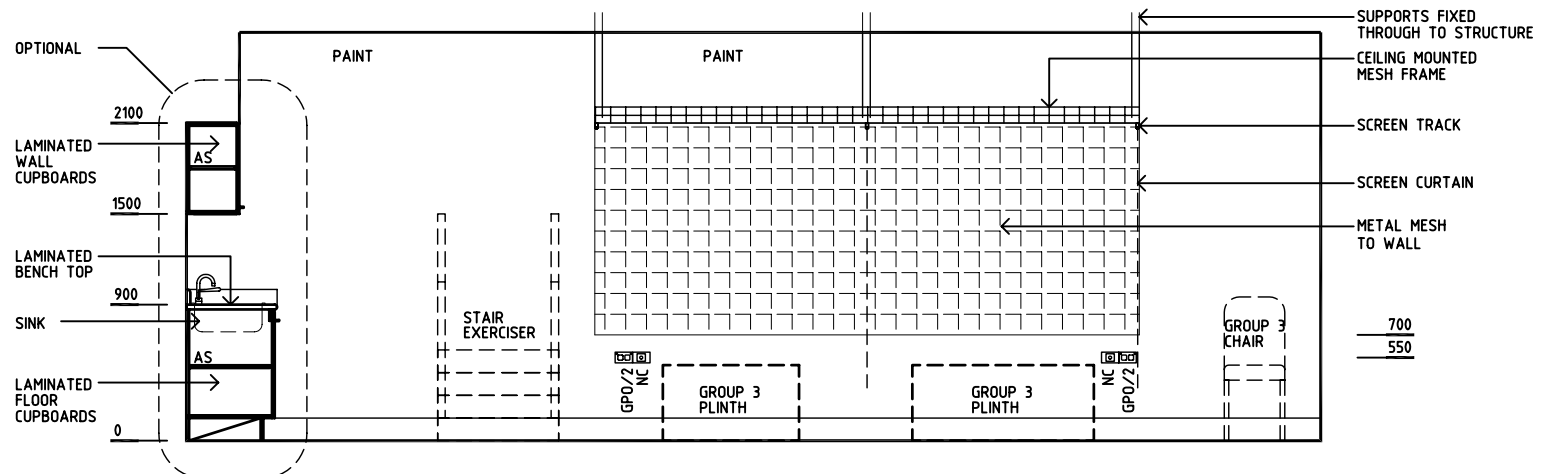
- AS ADJUSTABLE SHELF
- COM/2 COMMUNICATIONS OUTLET - DOUBLE
- DHT DISPENSER - HAND TOWEL
- DS DISPENSER - SOAP
- DP DOOR AND FRAME PROTECTION
- EC EMERGENCY CALL
- GPO/2 GENERAL PURPOSE OUTLET-DOUBLE
- LS LIGHT SWITCH
- NA NURSE ASSIST
- NC NURSE CALL
- OP OBSERVATION PANEL
- SK4 FLOOR VINYL COVERED
- SG SAFETY GLASS
- V1 VINYL FLOORING, STANDARD



**ELEVATION 2**



**ELEVATION 3**



**ELEVATION 4**

Rev	Revision Description	Date	Rev	Revision Description	Date	Rev	Revision Description	Date
1	FIRST ISSUE	27.9.04						

Drawn	Checked	Date	Scale	Sheet
CC	DB	27.9.04	1:50	2 of 2
CAD File		Drawing No.		Issue
GYAH		<b>GYAHb</b>		<b>1</b>