

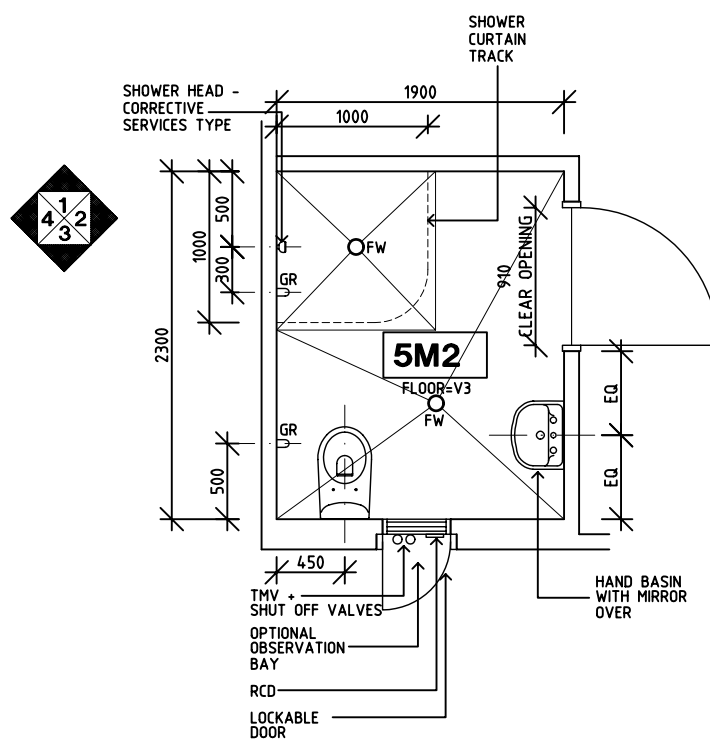
DGHDP STANDARD COMPONENTS

Room Layout Sheet

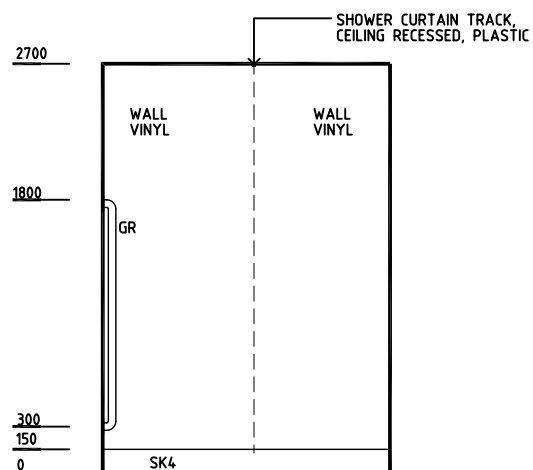
Room Name **Ensuite - Mental health (Inboard - for 2 Bed Room)**

ID No **ENS-I**

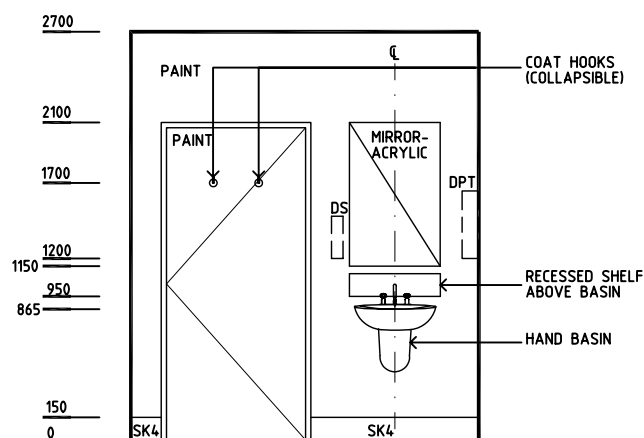
- DHT DISPENSER - HAND TOWEL
- DS DISPENSER - SOAP
- DTP DISPENSER - TOILET PAPER
- FW FLOOR WASTE
- GPO/1 GENERAL POWER OUTLET, SINGLE
- GR GRAB RAIL
- NC NURSE CALL
- RCD RESIDUAL CURRENT DEVICE
- SK4 FLOOR VINYL COVERED SKIRTING
- V3 VINYL FLOORING, STUDDED



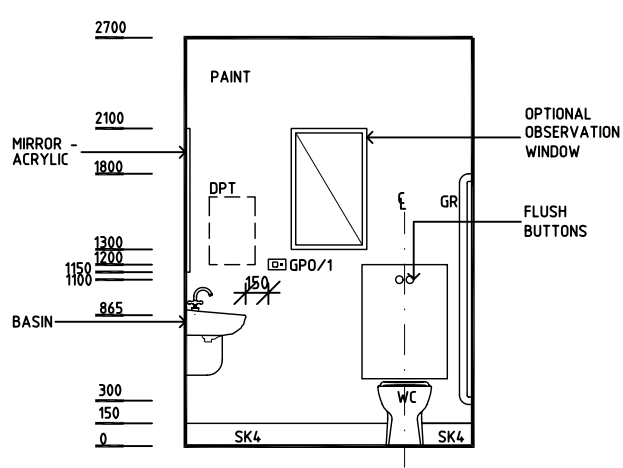
PLAN



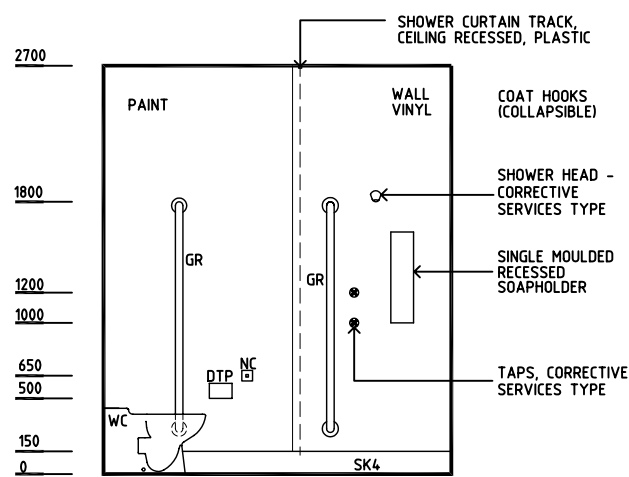
ELEVATION 1



ELEVATION 2



ELEVATION 3



ELEVATION 4

Rev	Revision Description	Date	Rev	Revision Description	Date	Rev	Revision Description	Date
1	FIRST ISSUE	27.10.04						