

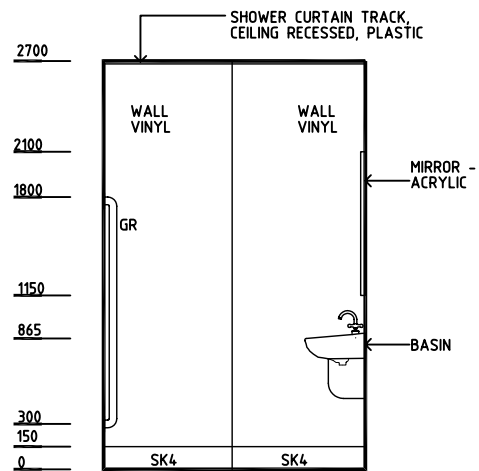
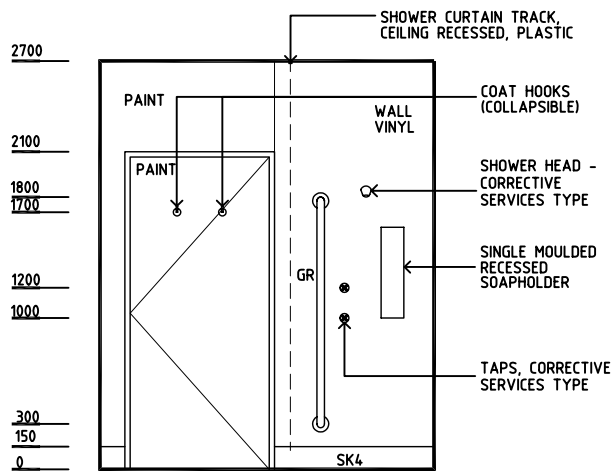
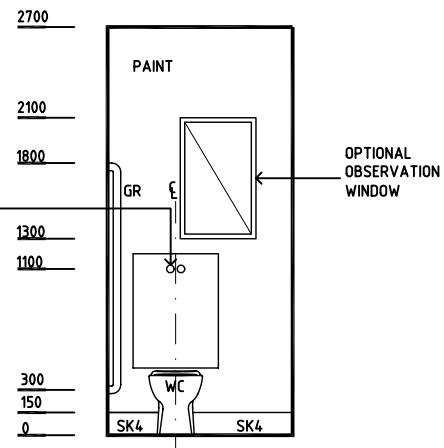
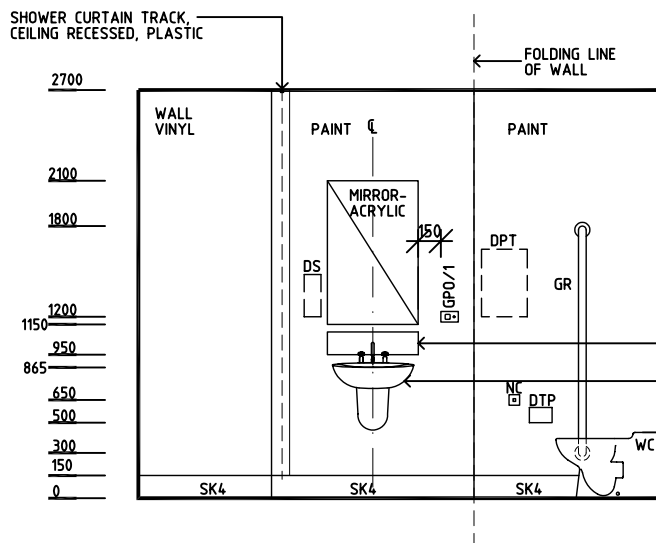
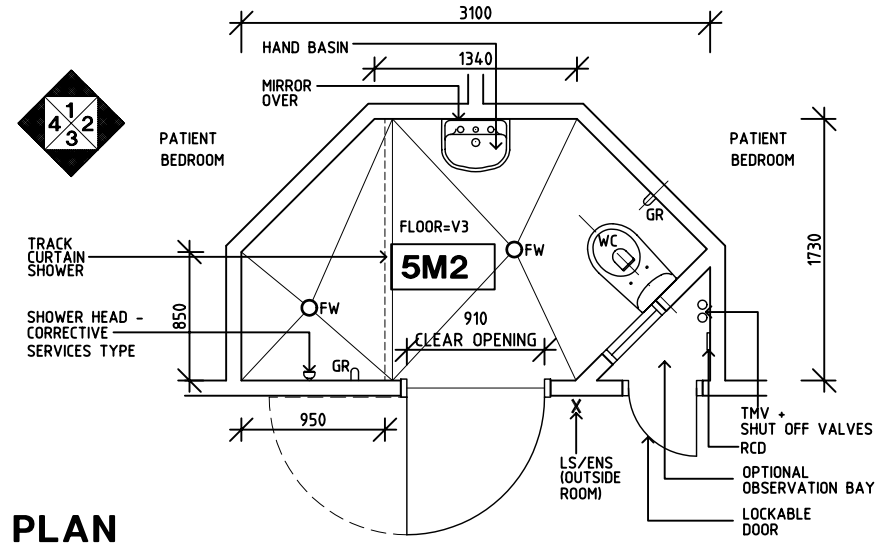
DGHDP STANDARD COMPONENTS

Room Layout Sheet

Room Name **Ensuite - Mental health (Shared)**

ID No **ENS-H**

- DHT DISPENSER - HAND TOWEL
- DS DISPENSER - SOAP
- DTP DISPENSER - TOILET PAPER
- FW FLOOR WASTE
- GPO/1 GENERAL POWER OUTLET, SINGLE
- GR GRAB RAIL
- NC NURSE CALL
- SK4 FLOOR VINYL COVED SKIRTING
- V3 VINYL FLOORING, STUDDED



Rev	Revision Description	Date	Rev	Revision Description	Date	Rev	Revision Description	Date																				
1	FIRST ISSUE	26.10.04																										
<table border="1" style="width: 100%; border-collapse: collapse;"> <thead> <tr> <th>Drawn</th> <th>Checked</th> <th>Date</th> <th>Scale</th> <th>Sheet</th> </tr> </thead> <tbody> <tr> <td>CC</td> <td>DB</td> <td>26.10.04</td> <td>1:50 in A3</td> <td>1 of 1</td> </tr> <tr> <td colspan="2">CAD File</td> <td>Drawing No.</td> <td colspan="2">Issue</td> </tr> <tr> <td colspan="2">ENS-H</td> <td>ENS-H</td> <td colspan="2">1</td> </tr> </tbody> </table>									Drawn	Checked	Date	Scale	Sheet	CC	DB	26.10.04	1:50 in A3	1 of 1	CAD File		Drawing No.	Issue		ENS-H		ENS-H	1	
Drawn	Checked	Date	Scale	Sheet																								
CC	DB	26.10.04	1:50 in A3	1 of 1																								
CAD File		Drawing No.	Issue																									
ENS-H		ENS-H	1																									