

DGHDP STANDARD COMPONENTS

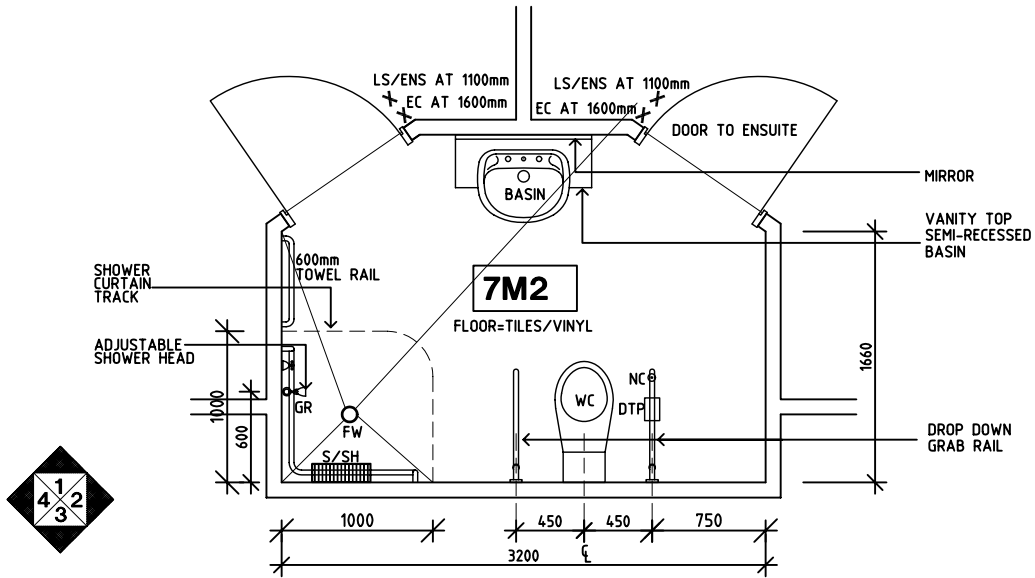
Room Layout Sheet

Room Name **Ensuite - Shared (alternative option)**

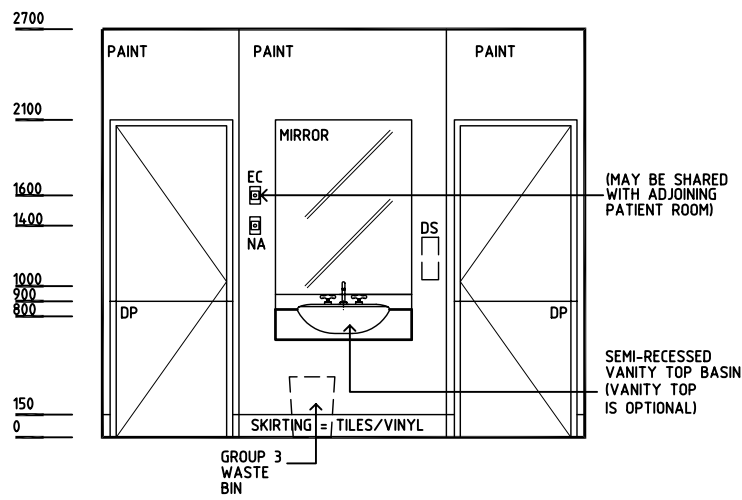
ID No **ENS-G**

CH
COH
DDG
DP
DS
DTP
EC
FW
GPO/2
GPO/C
GR
IV
LS
NA
NC
S/SH

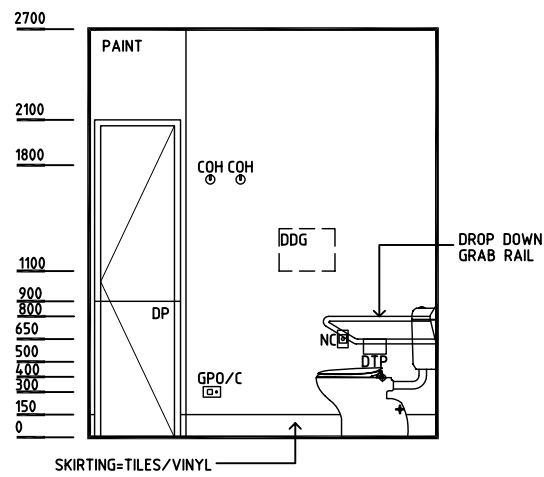
CATHETER HOOK
COAT HOOK
DISPENSER - DISPOSABLE GLOVE
DOOR AND DOOR FRAME PROTECTION
DISPENSER - SOAP
DISPENSER - TOILET PAPER
EMERGENCY CALL
FLOOR WASTE
GENERAL POWER OUTLET, DOUBLE
GENERAL POWER OUTLET, CLEANER'S
GRAB RAIL
IV HOOK
LIGHT SWITCH
NURSE ASSIST
NURSE CALL
SOAP AND SHAMPOO HOLDER



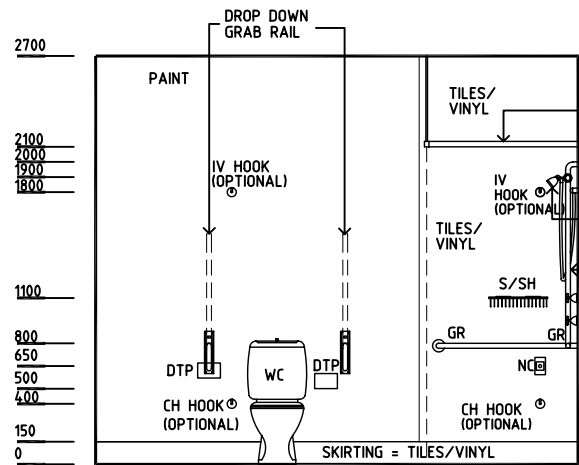
PLAN



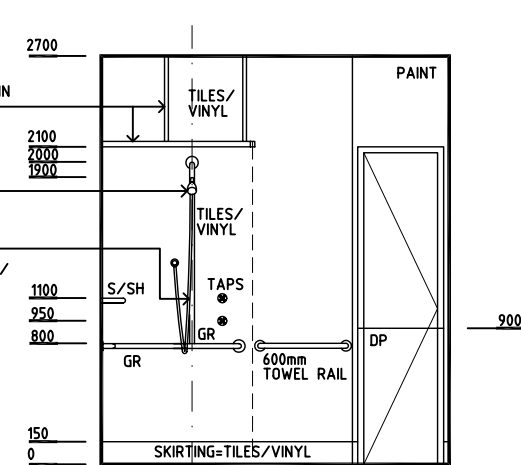
ELEVATION 1



ELEVATION 2



ELEVATION 3



ELEVATION 4

Rev	Revision Description	Date	Rev	Revision Description	Date	Rev	Revision Description	Date
1	FIRST ISSUE	22.10.04						