

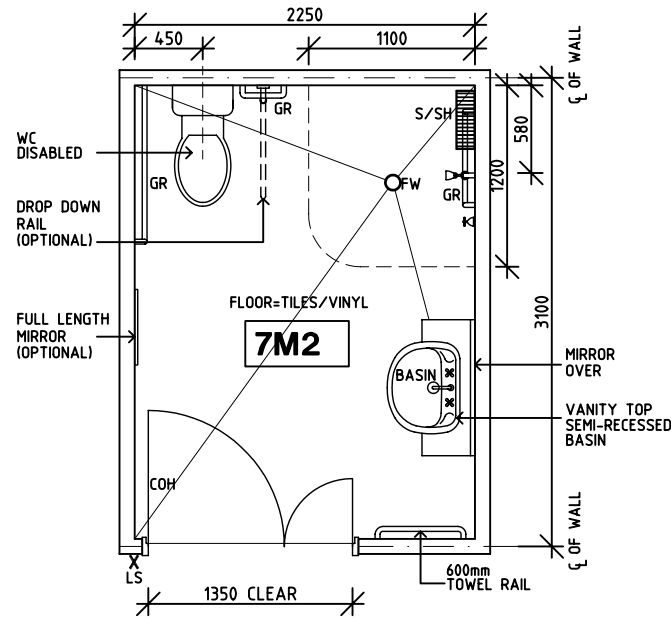
# DGHDP STANDARD COMPONENTS

Room Layout Sheet

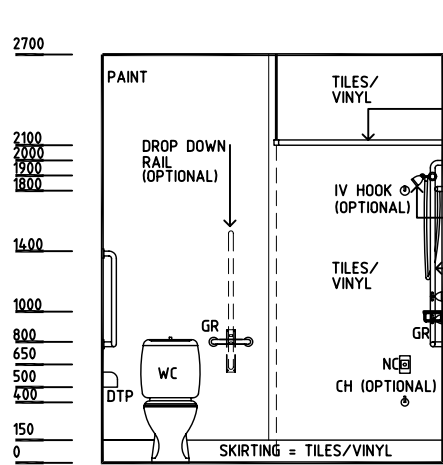
Room Name **Ensuite - Special**

ID No **ENS-D**

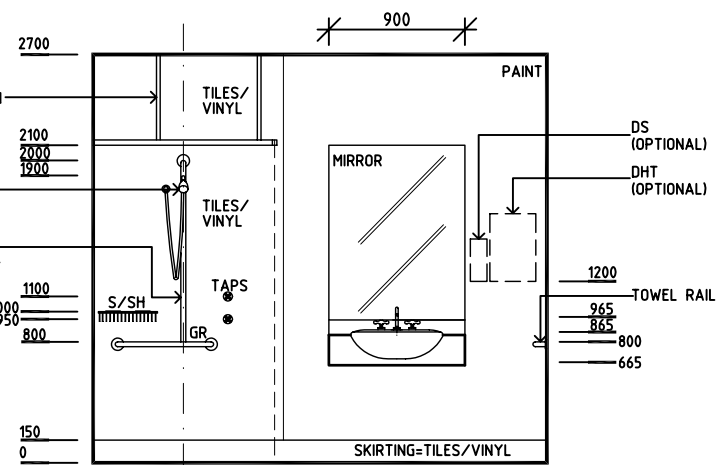
- CH CATHETER HOOK
- COH COAT HOOK
- DHT DISPENSER - HAND TOWEL
- DP DOOR AND DOOR FRAME PROTECTION
- DS DISPENSER - SOAP
- DTP DISPENSER - TOILET PAPER
- EC EMERGENCY CALL
- FW FLOOR WASTE
- GPO/2 GENERAL POWER OUTLET, DOUBLE
- GPO/C GENERAL POWER OUTLET, CLEANER'S
- GR GRAB RAIL
- IV IV HOOK
- LS LIGHT SWITCH
- NA NURSE ASSIST
- NC NURSE CALL
- S/SH SOAP AND SHAMPOO HOLDER



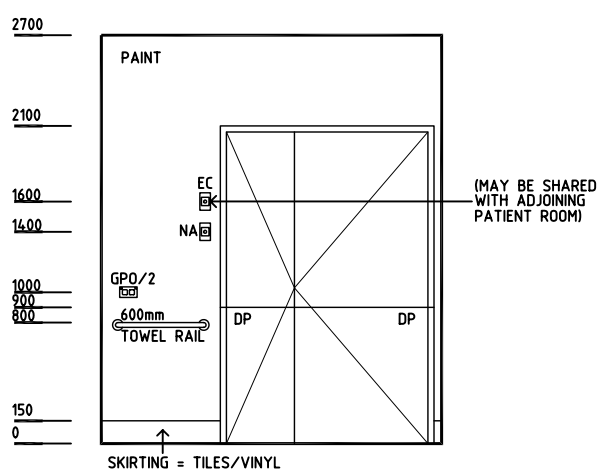
**PLAN**



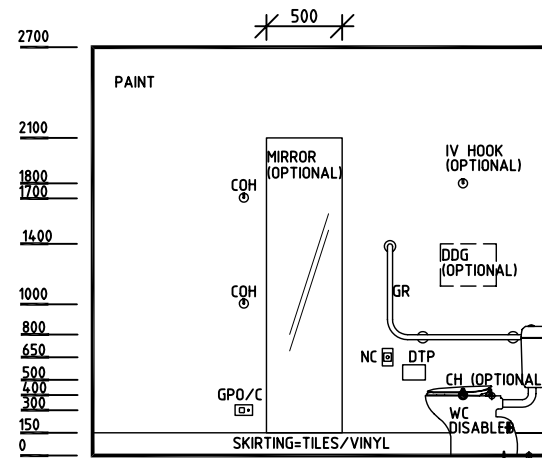
**ELEVATION 1**



**ELEVATION 2**



**ELEVATION 3**



**ELEVATION 4**

Rev	Revision Description	Date	Rev	Revision Description	Date	Rev	Revision Description	Date
1	FIRST ISSUE	16.9.04						
2	NURSE CALL REVISED	7.10.04						
3	DRAWING REVISED	25.10.04						

Drawn	Checked	Date	Scale	Sheet
CC	DB	25.10.04	1:50 in A3	1 of 1
CAD File		Drawing No.		Issue
ENS-D		<b>ENS-D</b>		<b>3</b>