

DGHDP STANDARD COMPONENTS

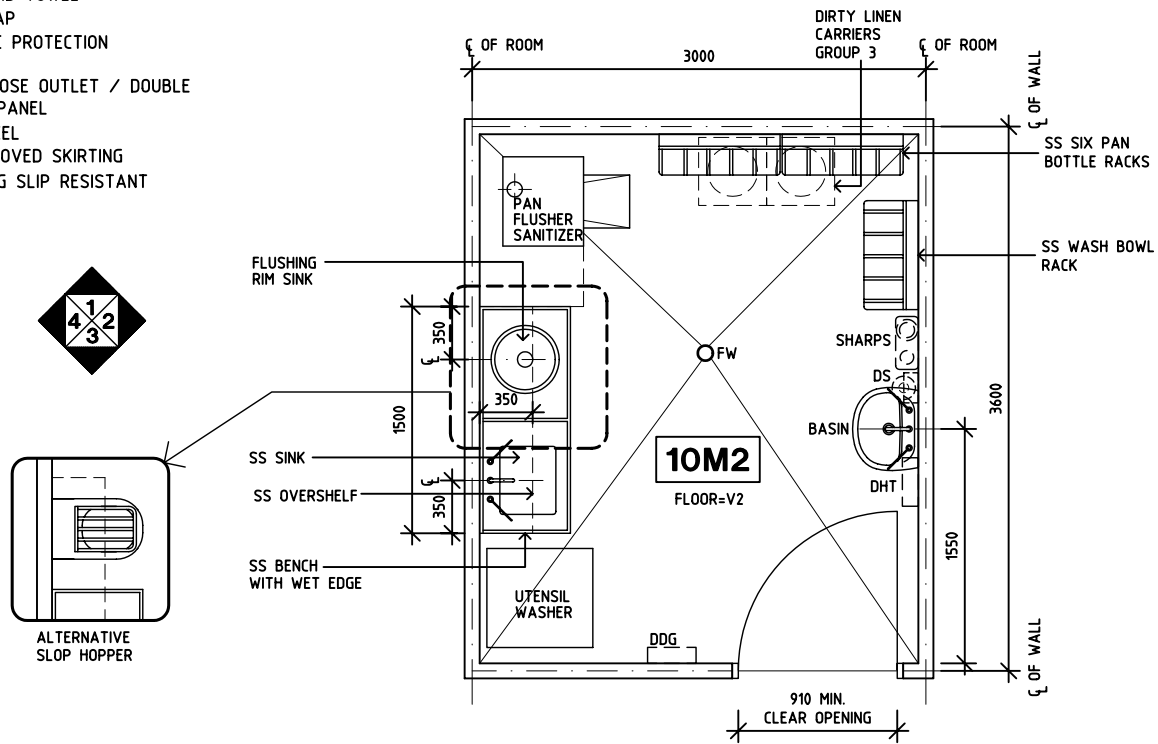
Room Layout Sheet

Room Name **Dirty Utility**

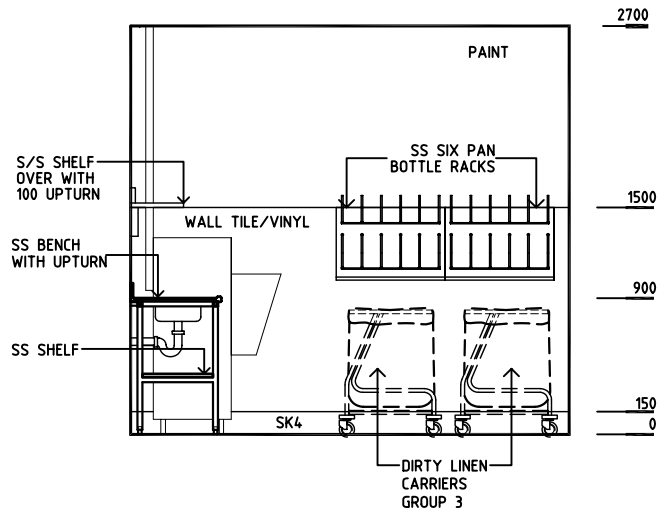
ID No

DTUR

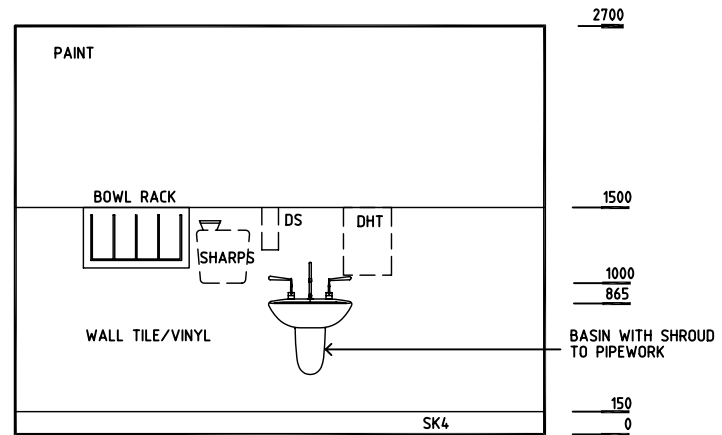
- AS ADJUSTABLE SHELF
- DDG DISPENSER DISPOSABLE GLOVE
- DHT DISPENSER HAND TOWEL
- DS DISPENSER SOAP
- DP DOOR & FRAME PROTECTION
- FW FLOOR WASTE
- GPO/2 GENERAL PURPOSE OUTLET / DOUBLE
- OP OBSERVATION PANEL
- SS STAINLESS STEEL
- SK4 FLOOR VINYL COVERED SKIRTING
- V2 VINYL FLOORING SLIP RESISTANT
- WB WHITEBOARD



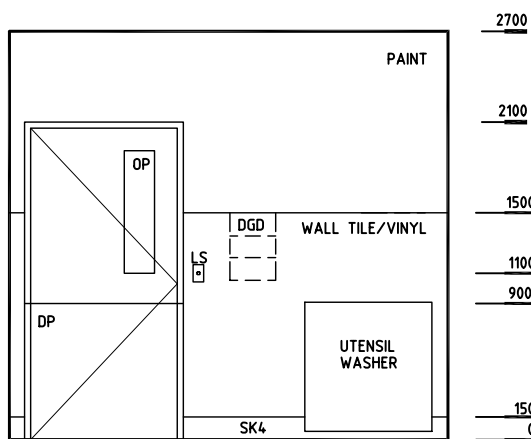
PLAN



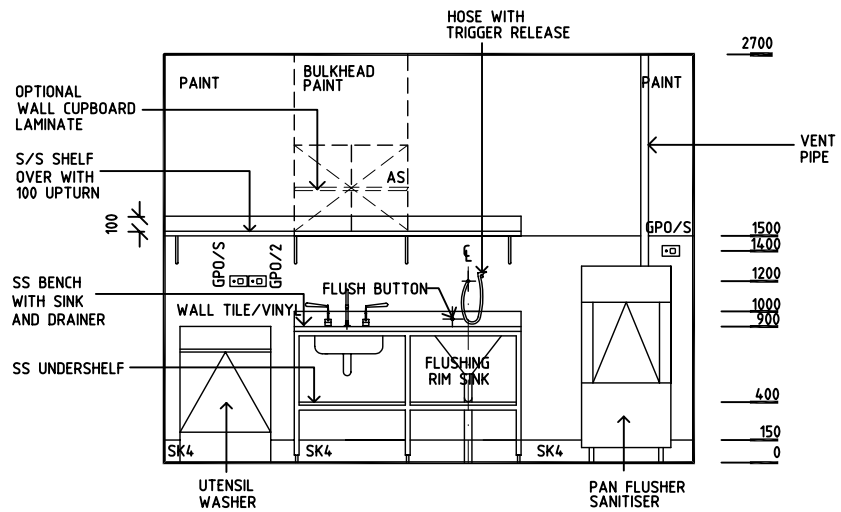
ELEVATION 1



ELEVATION 2



ELEVATION 3



ELEVATION 4

Rev	Revision Description	Date	Rev	Revision Description	Date	Rev	Revision Description	Date
1	FIRST ISSUE	16.9.04						

Drawn	Checked	Date	Scale	Sheet
CC	DB	16.9.04	1:50 in A3	1 of 3
CAD File		Drawing No.		Issue
DTUR		DTURa		1

DGHDP STANDARD COMPONENTS

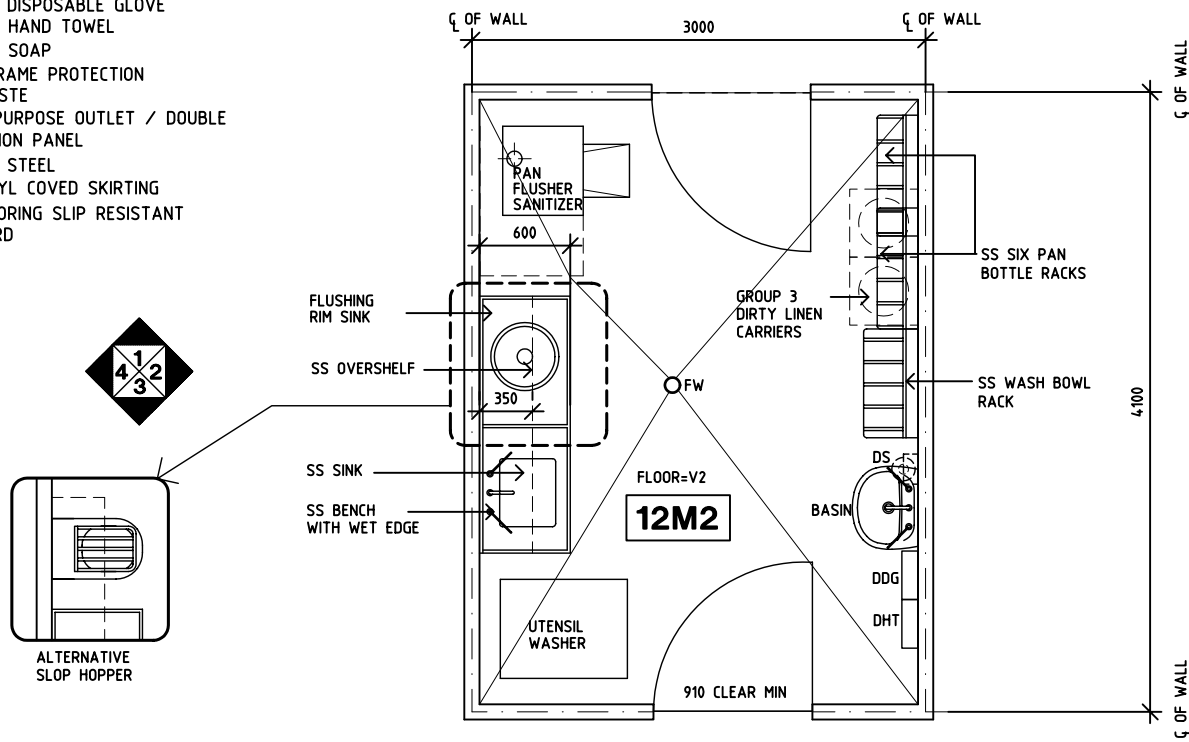
Room Layout Sheet

Room Name **Dirty Utility**

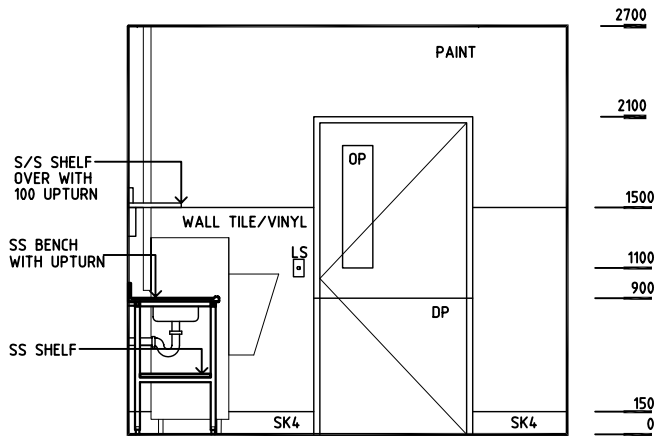
ID No

DTUR

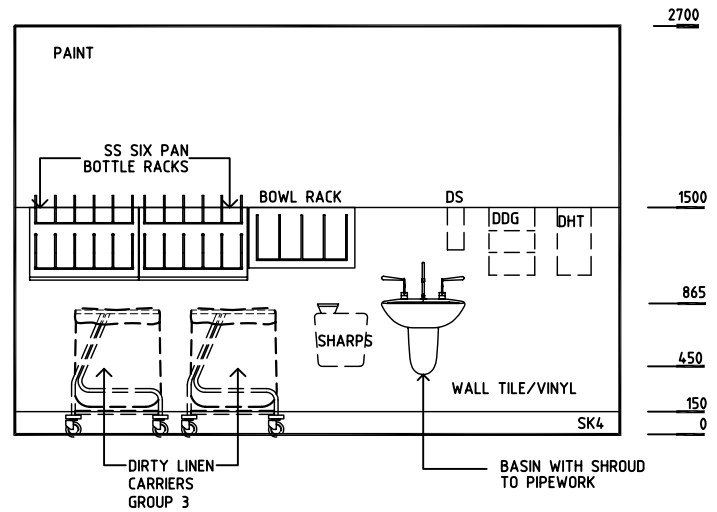
- AS ADJUSTABLE SHELF
- DDG DISPENSER DISPOSABLE GLOVE
- DHT DISPENSER HAND TOWEL
- DS DISPENSER SOAP
- DP DOOR & FRAME PROTECTION
- FW FLOOR WASTE
- GPO/2 GENERAL PURPOSE OUTLET / DOUBLE
- OP OBSERVATION PANEL
- SS STAINLESS STEEL
- SK4 FLOOR VINYL COVERED SKIRTING
- V2 VINYL FLOORING SLIP RESISTANT
- WB WHITEBOARD



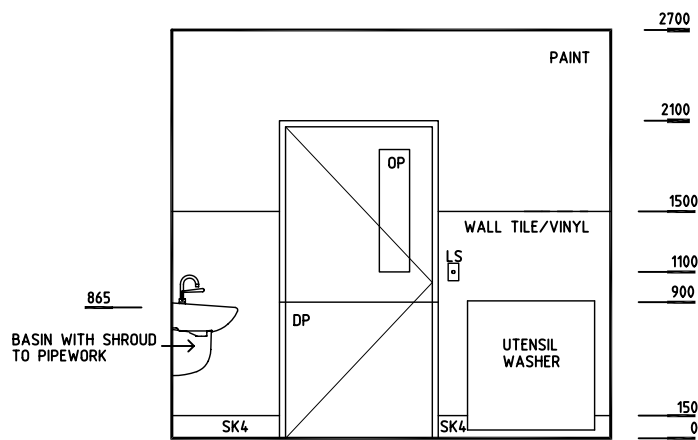
PLAN



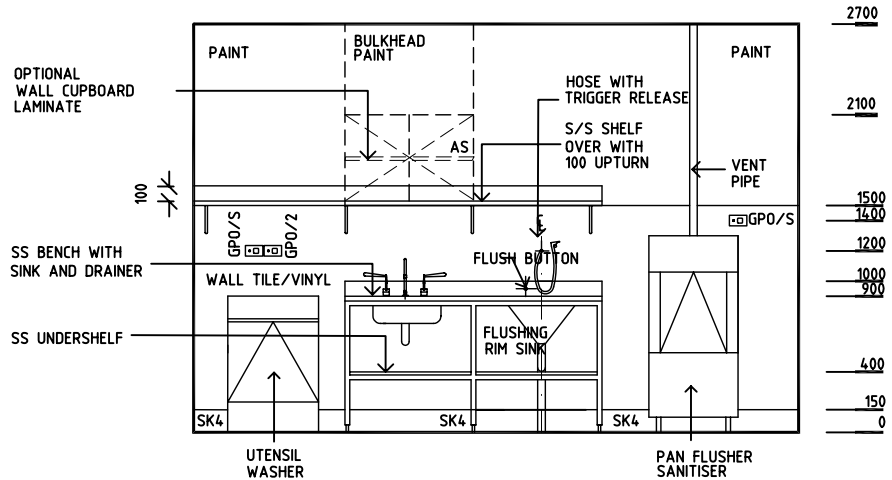
ELEVATION 1



ELEVATION 2



ELEVATION 3



ELEVATION 4

Rev	Revision Description	Date	Rev	Revision Description	Date	Rev	Revision Description	Date
1	FIRST ISSUE	8.10.04						
2	DRAWING REVISED	21.10.04						

DGHDP STANDARD COMPONENTS

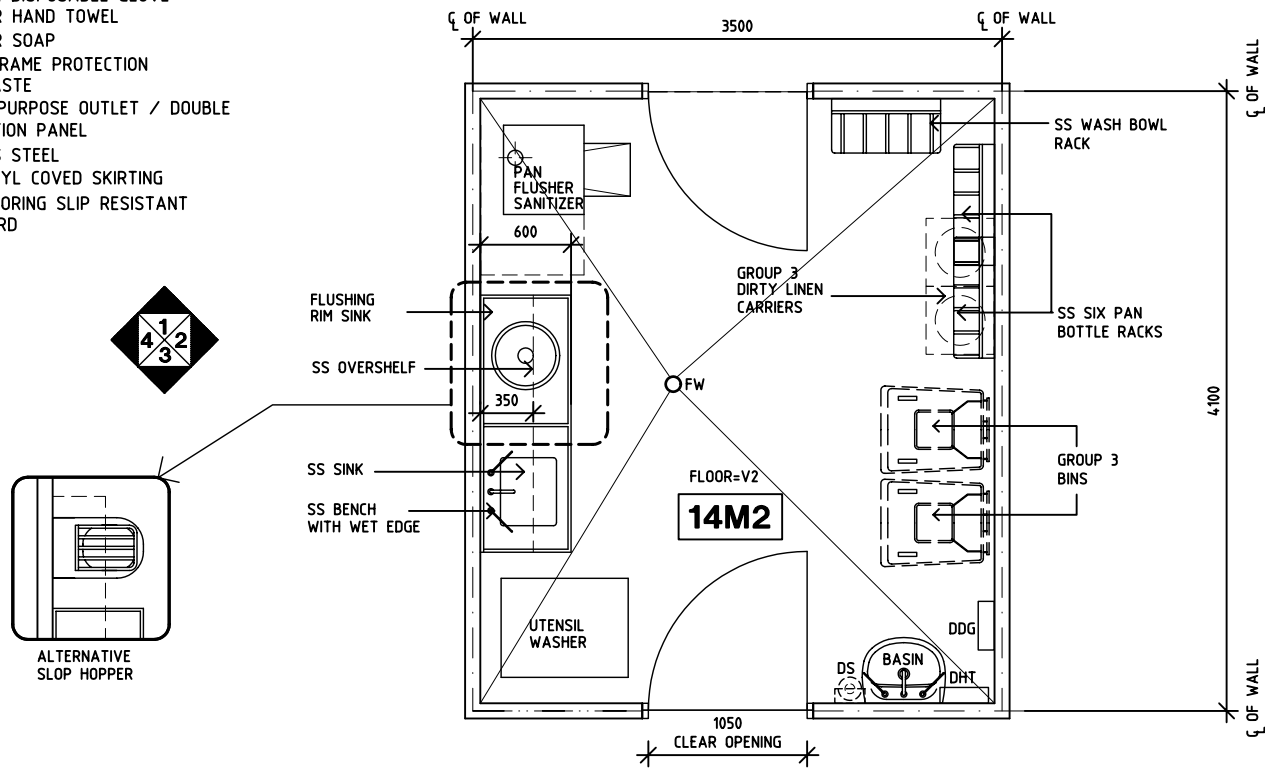
Room Layout Sheet

Room Name **Dirty Utility**

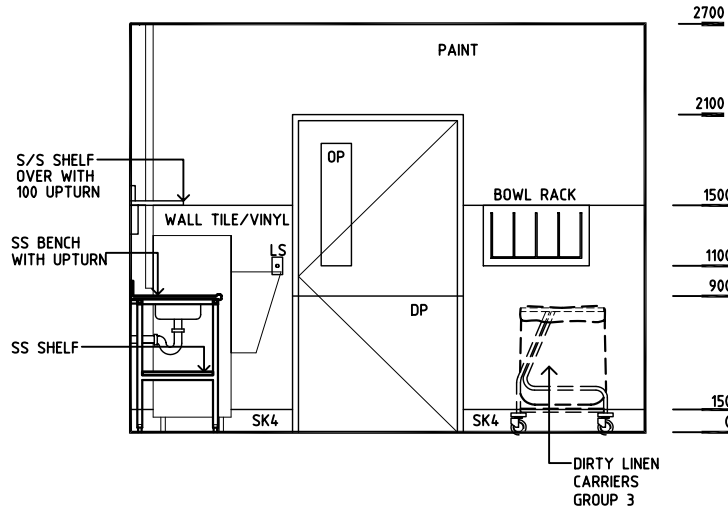
ID No

DTUR

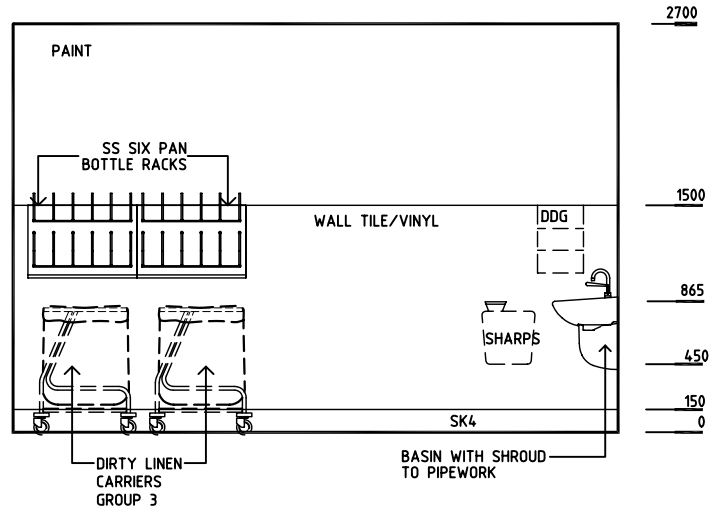
- AS ADJUSTABLE SHELF
- DDG DISPENSER DISPOSABLE GLOVE
- DHT DISPENSER HAND TOWEL
- DS DISPENSER SOAP
- DP DOOR & FRAME PROTECTION
- FW FLOOR WASTE
- GPO/2 GENERAL PURPOSE OUTLET / DOUBLE
- OP OBSERVATION PANEL
- SS STAINLESS STEEL
- SK4 FLOOR VINYL COVERED SKIRTING
- V2 VINYL FLOORING SLIP RESISTANT
- WB WHITEBOARD



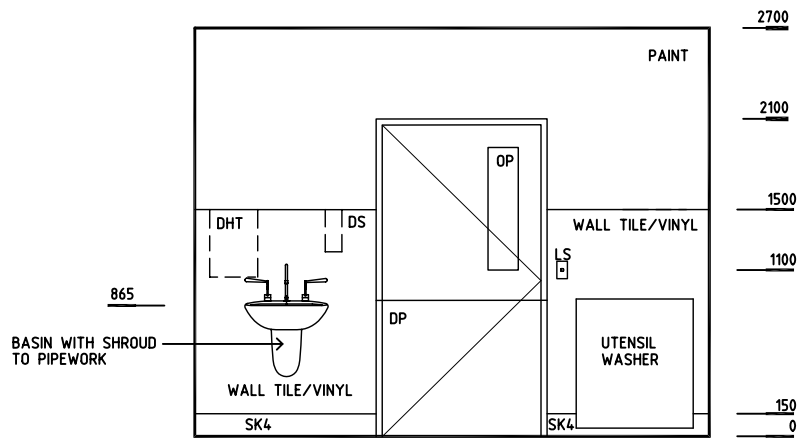
PLAN



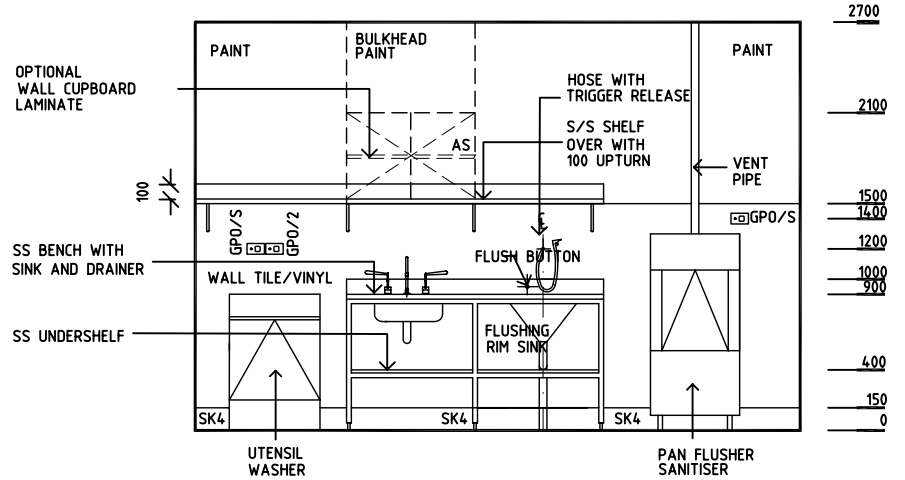
ELEVATION 1



ELEVATION 2



ELEVATION 3



ELEVATION 4

Rev	Revision Description	Date	Rev	Revision Description	Date	Rev	Revision Description	Date
1	FIRST ISSUE	8.10.04						
2	DRAWING REVISED	21.10.04						