

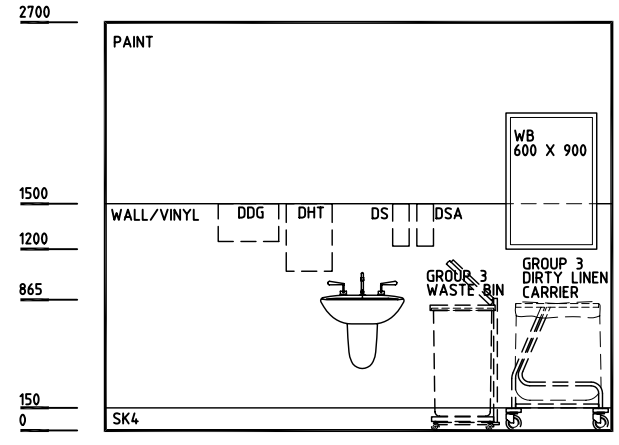
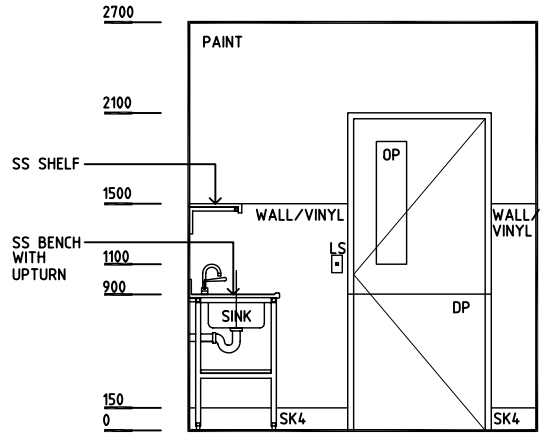
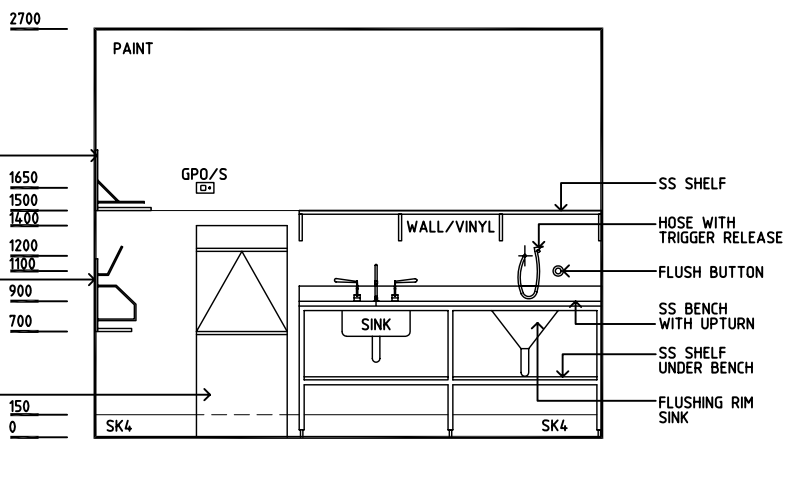
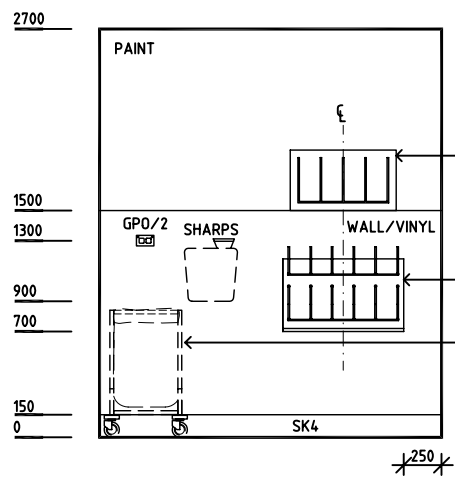
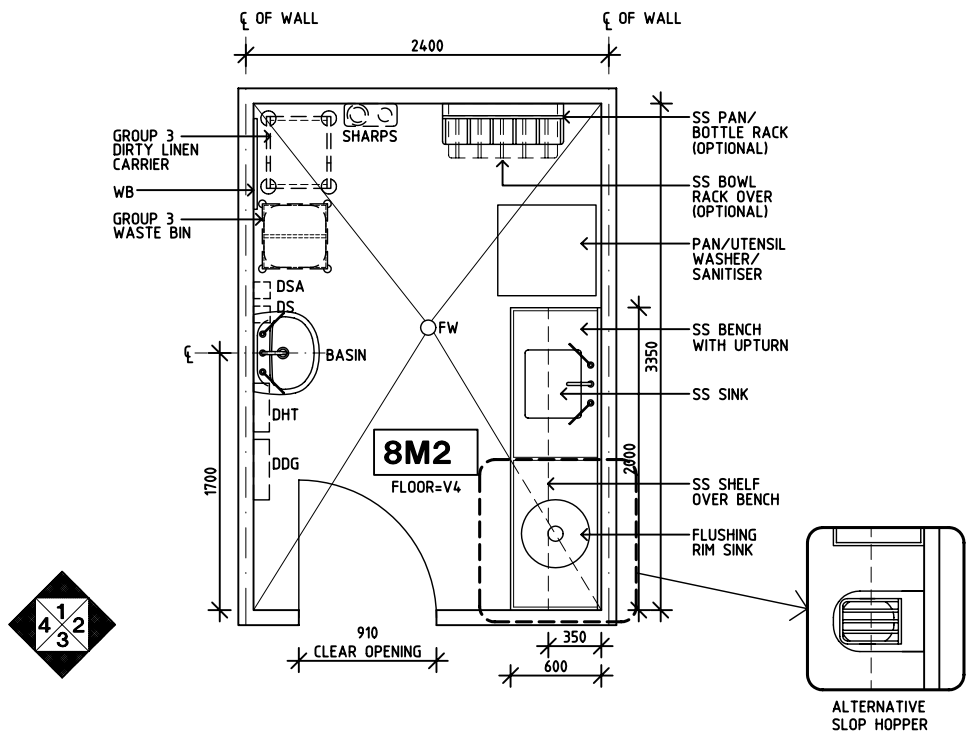
DGHDP STANDARD COMPONENTS

Room Layout Sheet

Room Name **Dirty Utility - Sub**

ID No **DTUR-S**

- DDG DISPENSER DISPOSABLE GLOVE
- DHT DISPENSER - HAND TOWEL
- DP DOOR AND FRAME PROTECTION
- DSA DISPENSER - SOAP ANTISEPTIC
- DS DISPENSER - SOAP
- FW FLOOR WASTE
- GPO/2 GENERAL POWER OUTLET - DOUBLE
- GPO/S GENERAL POWER OUTLET - SPECIAL
- LS LIGHT SWITCH
- OP OBSERVATION PANEL
- SS STAINLESS STEEL
- SK4 FLOOR VINYL COVERED SKIRTING
- V4 VINYL FLOORING
- WB WHITEBOARD



Rev	Revision Description	Date	Rev	Revision Description	Date	Rev	Revision Description	Date																				
1	FIRST ISSUE	22.10.04																										
						<table border="1"> <thead> <tr> <th>Drawn</th> <th>Checked</th> <th>Date</th> <th>Scale</th> <th>Sheet</th> </tr> </thead> <tbody> <tr> <td>CC</td> <td>DB</td> <td>22.10.04</td> <td>1:50 in A3</td> <td>1 of 1</td> </tr> <tr> <td colspan="2">CAD File</td> <td>Drawing No.</td> <td colspan="2">Issue</td> </tr> <tr> <td colspan="2">DTUR-S</td> <td>DTUR-S</td> <td colspan="2">1</td> </tr> </tbody> </table>			Drawn	Checked	Date	Scale	Sheet	CC	DB	22.10.04	1:50 in A3	1 of 1	CAD File		Drawing No.	Issue		DTUR-S		DTUR-S	1	
Drawn	Checked	Date	Scale	Sheet																								
CC	DB	22.10.04	1:50 in A3	1 of 1																								
CAD File		Drawing No.	Issue																									
DTUR-S		DTUR-S	1																									