

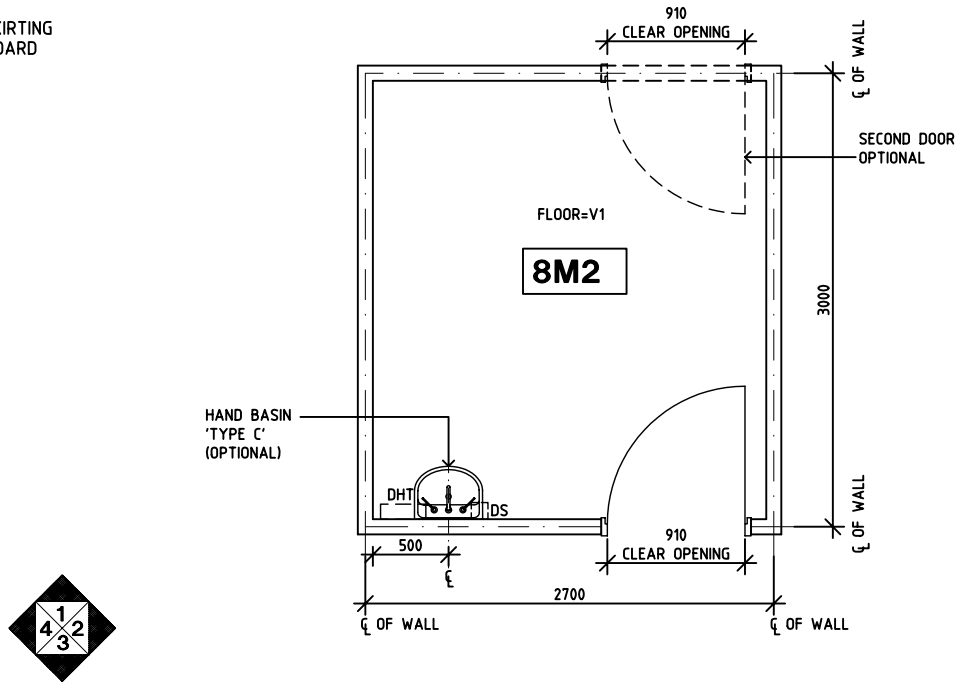
# DGHDP STANDARD COMPONENTS

Room Layout Sheet

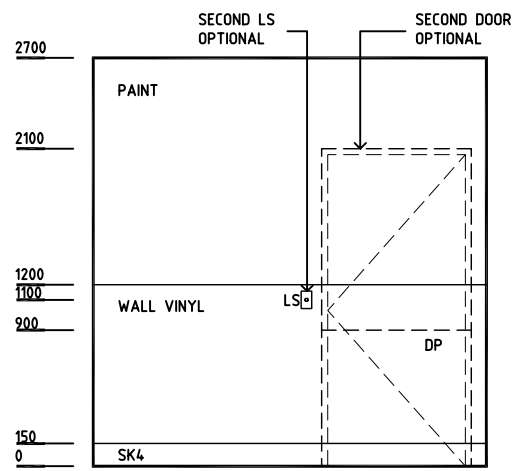
Room Name **Disposal Room**

ID No **DISP**

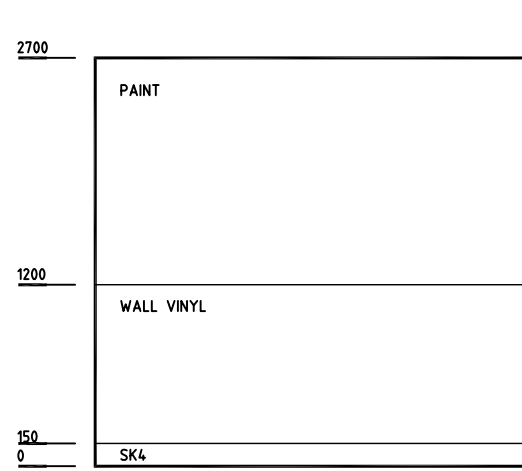
- DDG DISPENSER - DISPOSABLE GLOVES
- DHT DISPENSER - HAND TOWEL
- DS DISPENSER - SOAP
- DSA DISPENSER - SOAP ANTISEPTIC
- DP DOOR AND DOOR FRAME PROTECTION
- LS LIGHT SWITCH
- SK4 FLOOR VINYL COVERED SKIRTING
- V1 VINYL FLOORING, STANDARD



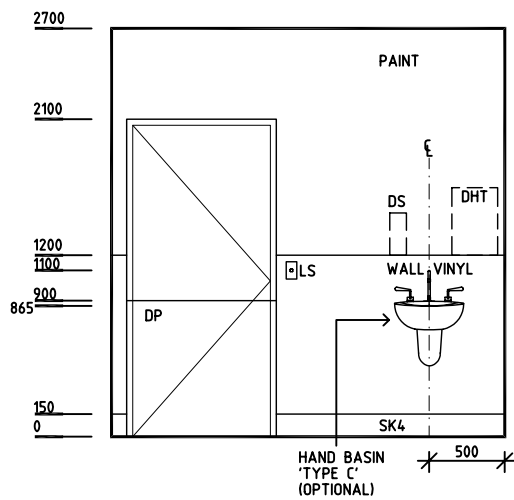
**PLAN**



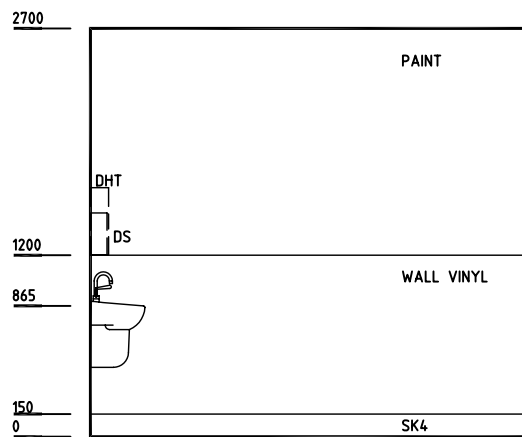
**ELEVATION 1**



**ELEVATION 2**



**ELEVATION 3**



**ELEVATION 4**

Rev	Revision Description	Date	Rev	Revision Description	Date	Rev	Revision Description	Date
1	FIRST ISSUE	16.9.04						

Drawn	Checked	Date	Scale	Sheet
CC	DB	16.9.04	1:50 in A3	1 of 1
CAD File		Drawing No.		Issue
DISP		<b>DISP</b>		<b>1</b>