

DGHDP STANDARD COMPONENTS

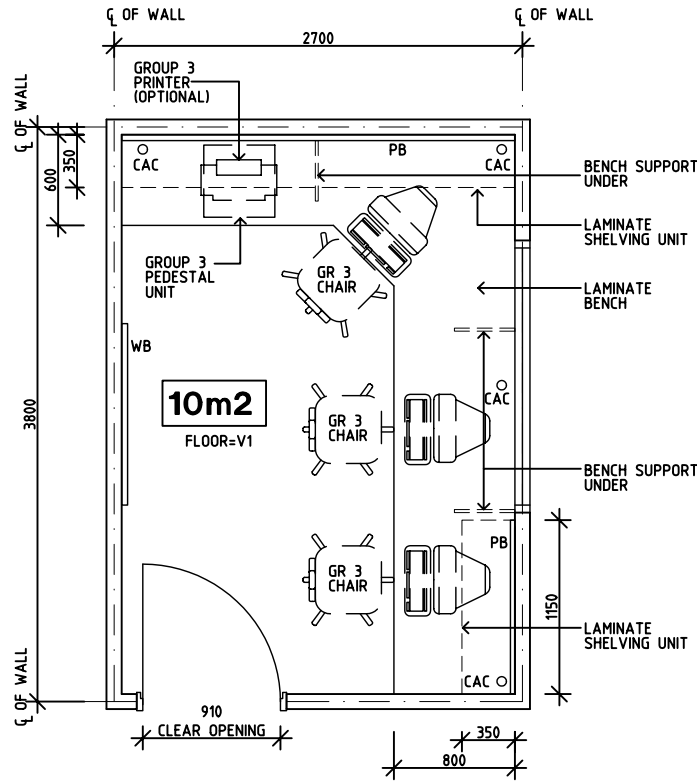
Room Layout Sheet

Room Name **Catheter Laboratory Control-Reporting Room**

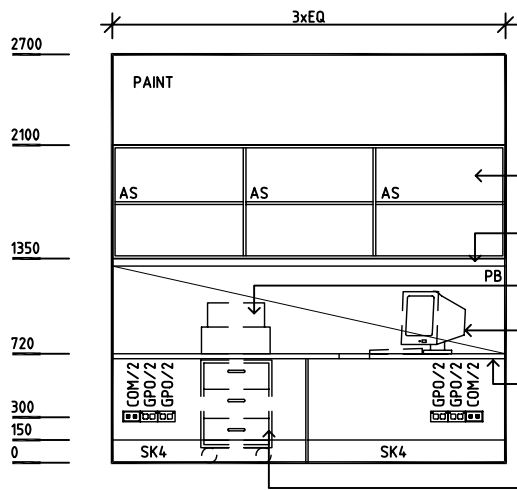
ID No

CORT

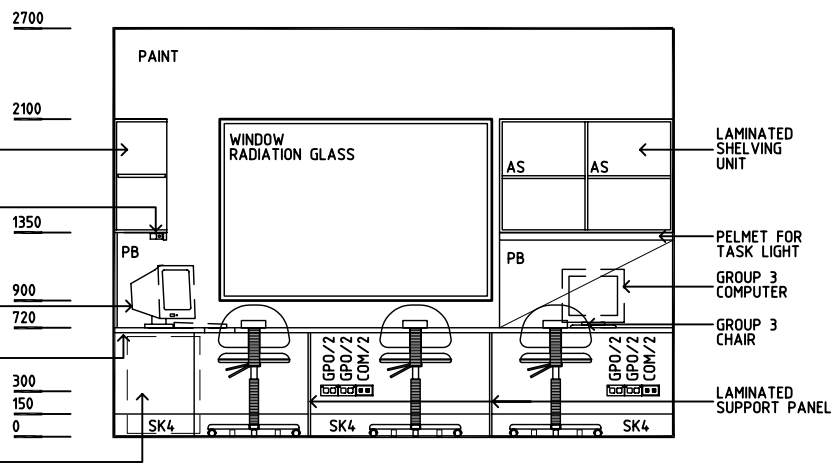
- AS ADJUSTABLE SHELF
- CAC CABLE ACCES CAP
- COH COAT HOOK
- COM/2 COMMUNICATION OUTLET-DOUBLE
- DP DOOR AND FRAME PROTECTION
- GPO/1 GENERAL PURPOSE OUTLET-SINGLE
- GPO/2 GENERAL PURPOSE OUTLET-DOUBLE
- LS LIGHT SWITCH
- OP OBSERVATION PANEL
- PB PINBOARD
- SK4 FLOOR VINYL COVERED SKIRTING
- WB WHITEBOARD
- V1 VINYL FLOORING STANDARD



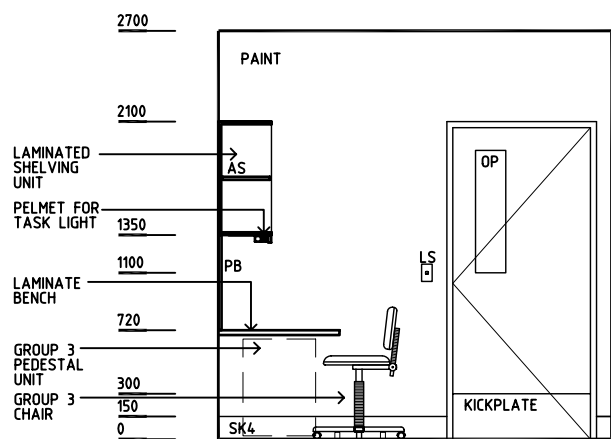
PLAN



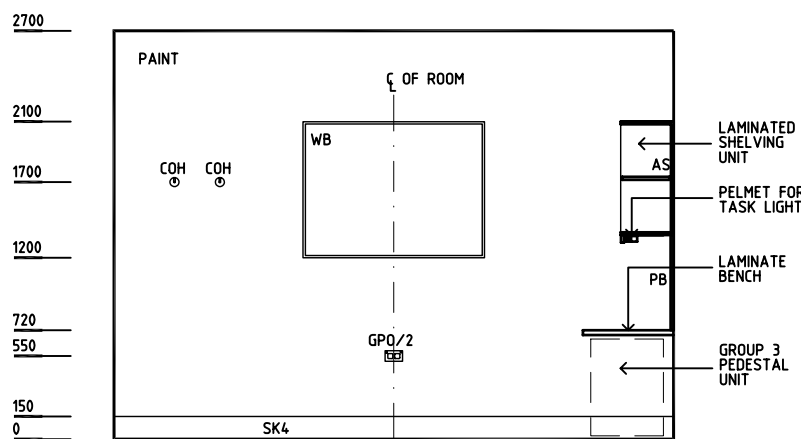
ELEVATION 1



ELEVATION 2



ELEVATION 3



ELEVATION 4

Rev	Revision Description	Date	Rev	Revision Description	Date	Rev	Revision Description	Date
1	FIRST ISSUE	16.9.04						
2	DRAWING REVISED	25.10.04						