

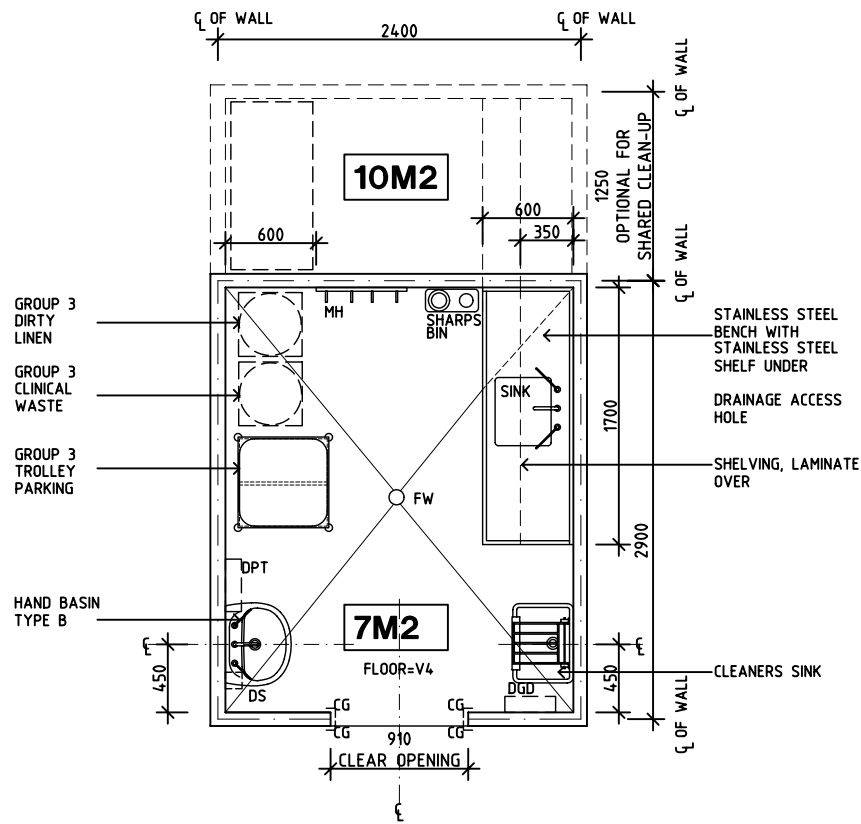
DGHDP STANDARD COMPONENTS

Room Layout Sheet

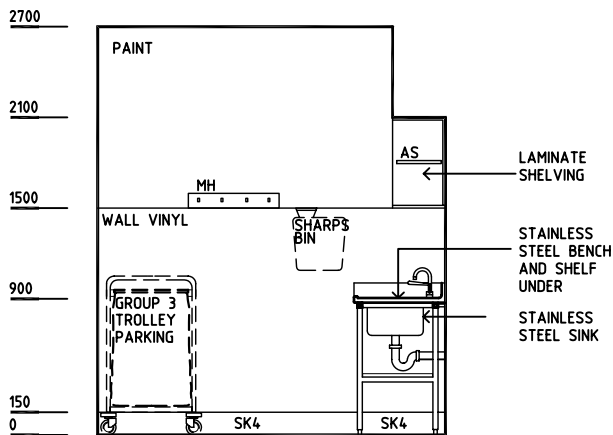
Room Name **Clean-Up Room**

ID No **CLUP**

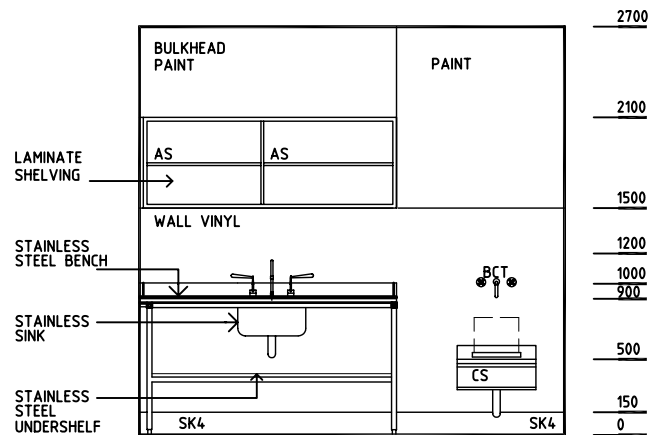
- AS ADJUSTABLE SHELF
- BCT BIB COCK TAPS
- CS CLEANERS SINK
- CG CORNER GUARD
- DDG DISPENSER - DISPOSABLE GLOVE
- DS DISPENSER - SOAP
- GPO/1 GENERAL PURPOSE OUTLET SINGLE
- GPO/2 GENERAL PURPOSE OUTLET DOUBLE
- FW FLOOR WASTE
- MH MOP HOOKS
- SK4 FLOOR VINYL COVED SKIRTING
- SS STAINLESS STEEL
- WBT WASTE BAG TROLLEY
- V4 VINYL FLOORING SAFETY



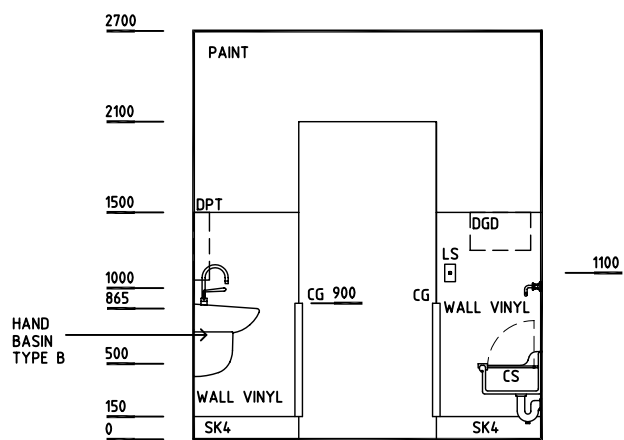
PLAN



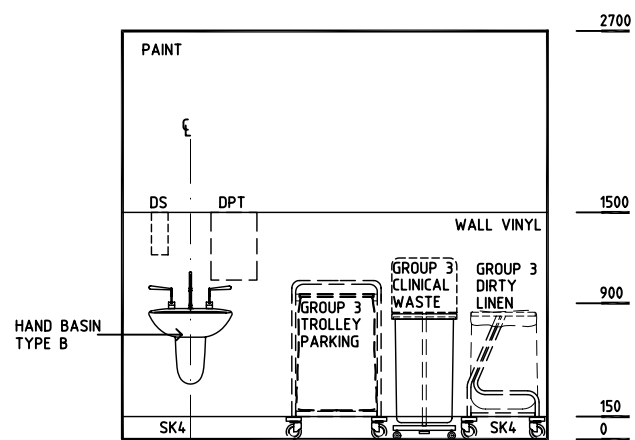
ELEVATION 1



ELEVATION 2



ELEVATION 3



ELEVATION 4

Rev	Revision Description	Date	Rev	Revision Description	Date	Rev	Revision Description	Date
1	FIRST ISSUE	16.9.04						
2	DRAWING REVISED	25.10.04						