

# DGHDP STANDARD COMPONENTS

Room Layout Sheet

Room Name **Catheter Laboratory**

ID No

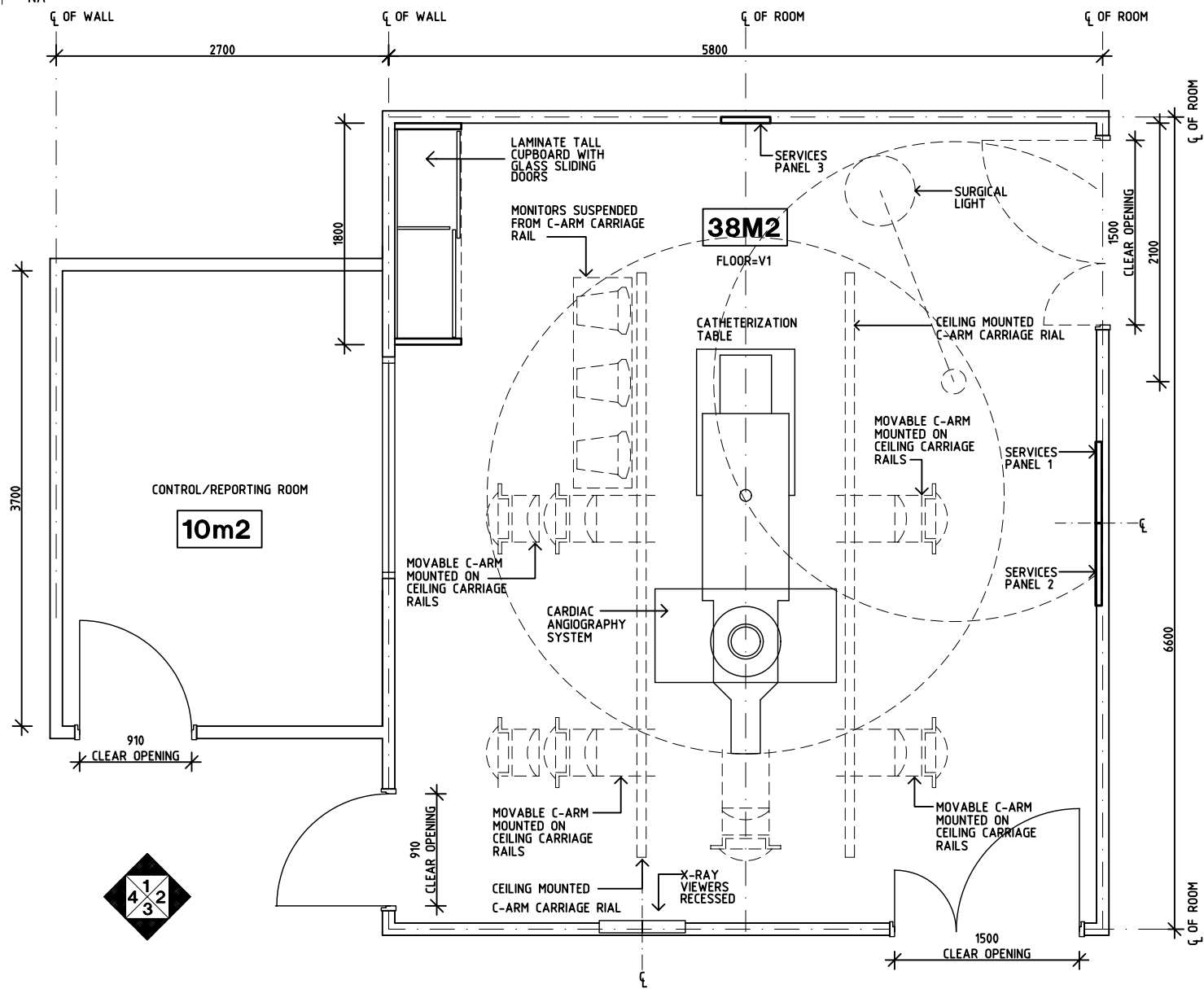
**CLAB**

- AS ADJUSTABLE SHELF
- COM/2 COMMUNICATION OUTLET-DOUBLE
- CR CRASH RAIL
- DP DOOR AND FRAME PROTECTION
- EC EMERGENCY CALL
- FS FIXED SHELF
- GPO/1 GENERAL PURPOSE OUTLET-SINGLE
- GPO/2 GENERAL PURPOSE OUTLET-DOUBLE
- GPO/EP EMERGENCY POWER-SINGLE
- M MEDICAL AIR
- NO NITROUS OXIDE
- NA NURSE ASSIST
- O OXYGEN
- OPS OBSERVATION PANEL-SLIDING COVER
- PC2 90mm PLASTERBOARD CORNICE
- S SUCTION
- SBB SUCTION BOTTLE BRACKET
- SC SCAVENGING
- SK4 FLOOR VINYL COVERED SKIRTING
- V1 VINYL FLOORING STANDARD

SERVICES PANEL 1  
GPO/1 EPx 6  
COM/2

SERVICES PANEL 2  
O X 2  
NO X 1  
MA X 1  
S X 2  
SC X 1

SERVICES PANEL 3  
GPO/2 X 1  
RCD X 1  
EC  
NA



**PLAN**

Rev	Revision Description	Date	Rev	Revision Description	Date	Rev	Revision Description	Date
1	FIRST ISSUE	16.9.04						
2	DRAWING REVISED	25.10.04						

# DGHDP STANDARD COMPONENTS

Room Layout Sheet

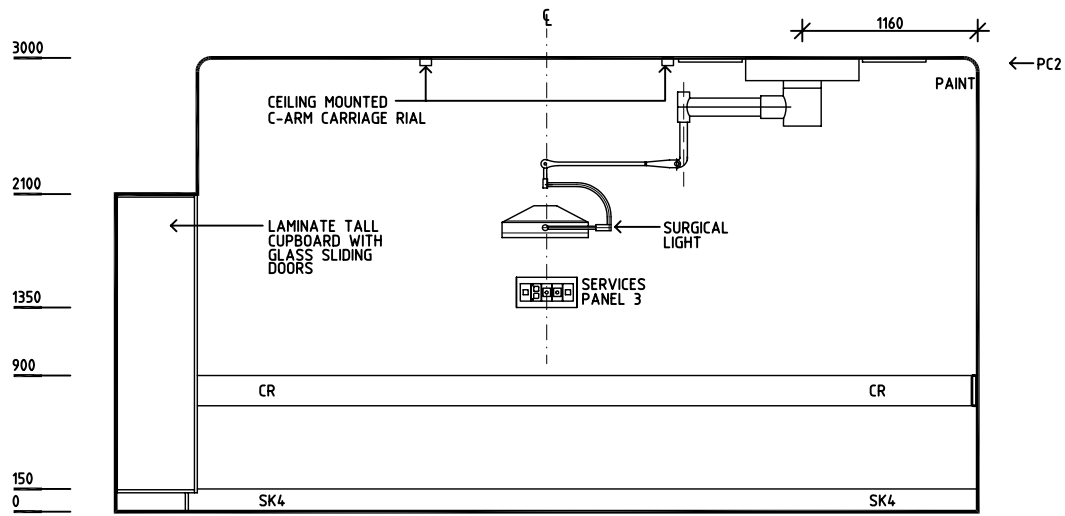
Room Name **Catheter Laboratory**

ID No

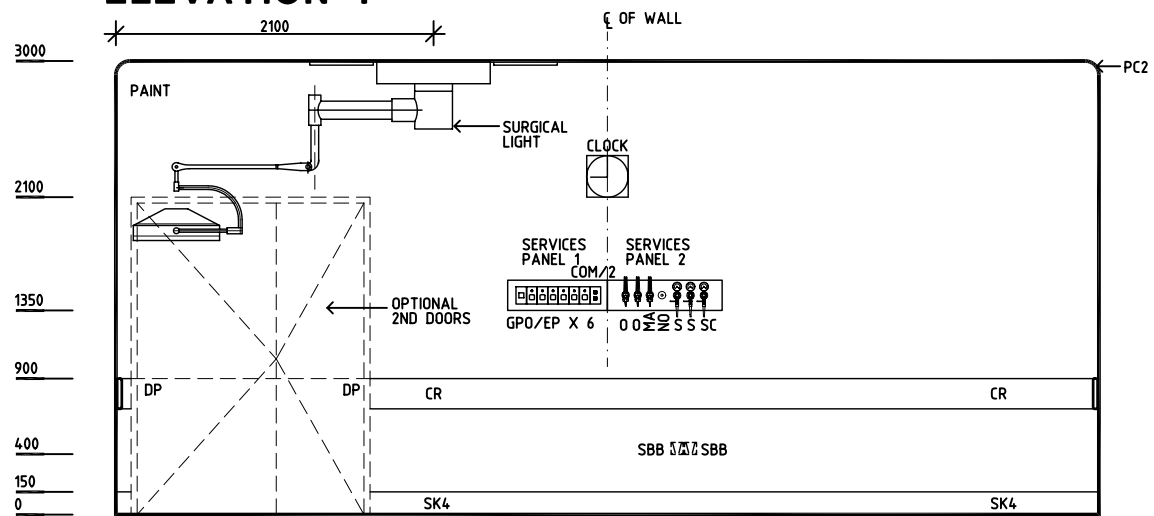
**CLAB**

- AS ADJUSTABLE SHELF
- COM/2 COMMUNICATION OUTLET-DOUBLE
- CR CRASH RAIL
- DP DOOR AND FRAME PROTECTION
- EC EMERGENCY CALL
- FS FIXED SHELF
- GPO/1 GENERAL PURPOSE OUTLET-SINGLE
- GPO/2 GENERAL PURPOSE OUTLET-DOUBLE
- GPO/EP EMERGENCY POWER-SINGLE
- GPO/C GENERAL PURPOSE OUTLET-CLEANER'S
- M MEDICAL AIR
- NO NITROUS OXIDE
- NA NURSE ASSIST
- O OXYGEN
- OPS OBSERVATION PANEL-SLIDING COVER
- PC2 90mm PLASTERBOARD CORNICE
- S SUCTION
- SBB SUCTION BOTTLE BRACKET
- SC SCAVENGING
- SK4 FLOOR VINYL COVERED SKIRTING
- V1 VINYL FLOORING STANDARD

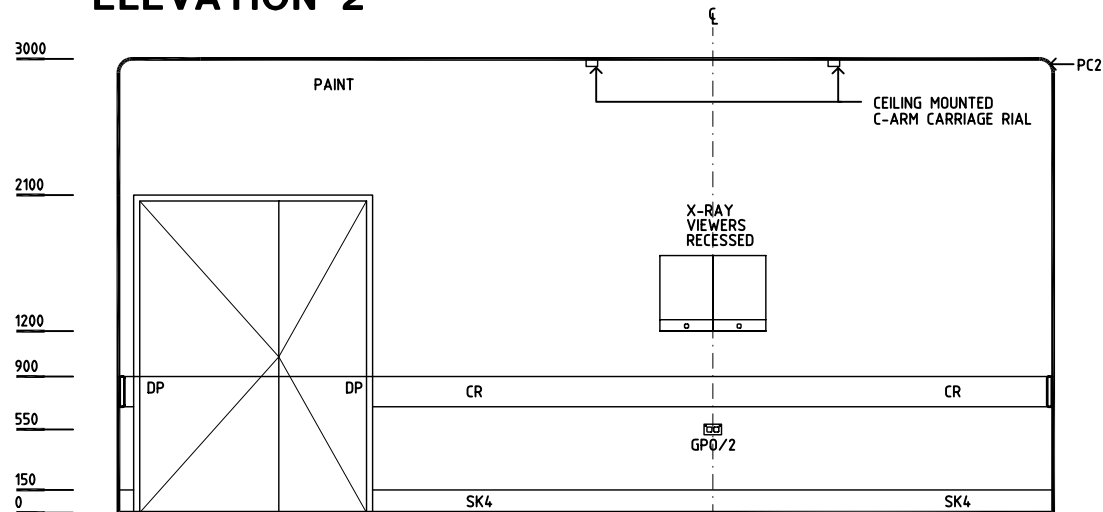
- SERVICES PANEL 1 GPO/1 EP x 6  
COM/2
- SERVICES PANEL 2 O X 2  
NO X 1  
MA X 1  
S X 2  
SC X 1
- SERVICES PANEL 3 GPO/2 X 1  
RCD X 1  
EC  
NA



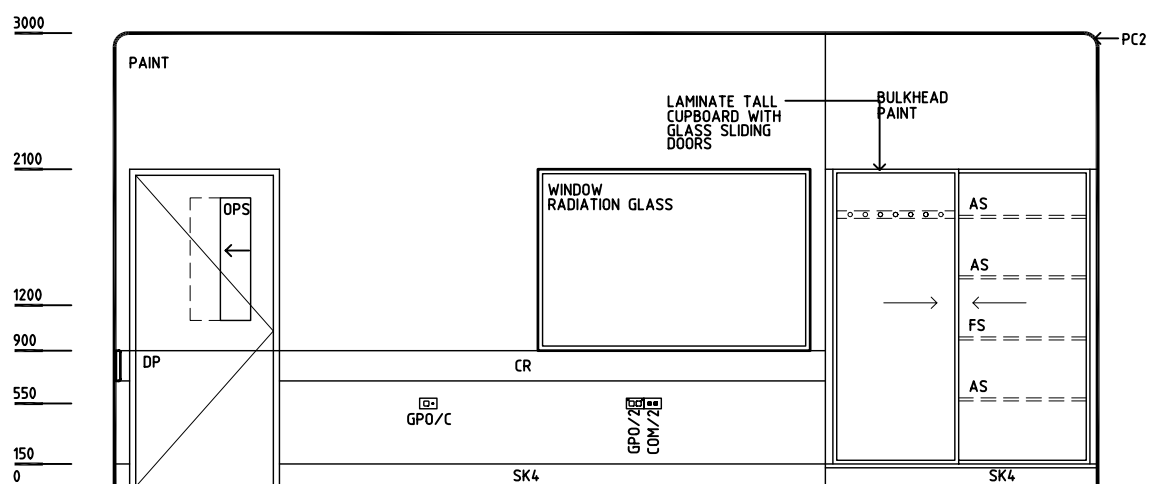
**ELEVATION 1**



**ELEVATION 2**



**ELEVATION 3**



**ELEVATION 4**

Rev	Revision Description	Date	Rev	Revision Description	Date	Rev	Revision Description	Date
1	FIRST ISSUE	16.9.04						
2	DRAWING REVISED	25.10.04						