

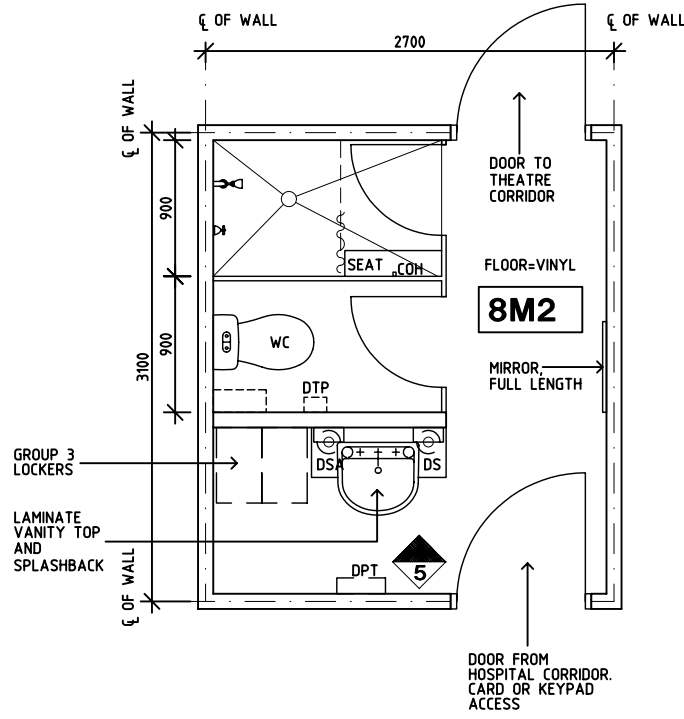
DGHDP STANDARD COMPONENTS

Room Layout Sheet

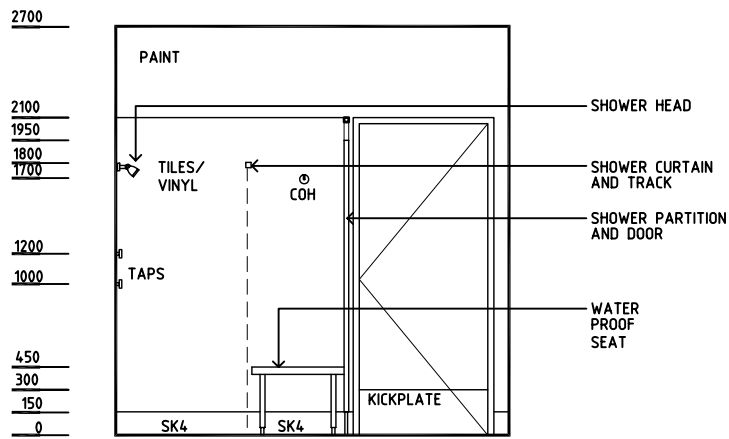
Room Name **Change - Staff (Male/Female)**

ID No **CHST**

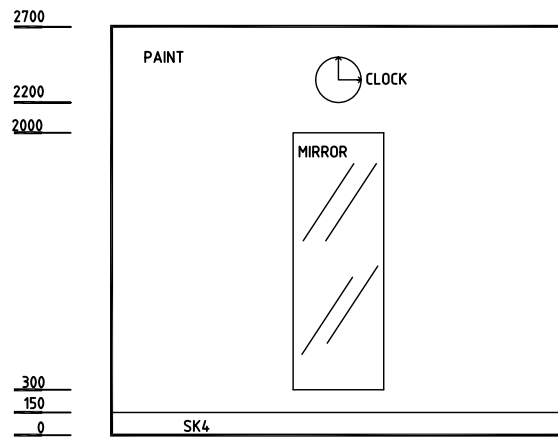
- COH COAT HOOK
- DS DISPENSER - SOAP
- DSA DISPENSER - SOAP ANTISEPTIC
- DPT DISPENSER - PAPER TOWEL
- DTP DISPENSER - TOILET PAPER
- FW FLOOR WASTE
- GPO/2 GENERAL PURPOSE OUTLET-DOUBLE
- LS LIGHT SWITCH
- OP OBSERVATION PANEL
- SK4 VINYL COVERED SKIRTING, STANDARD
- SLT SOILED LINEN TROLLEY



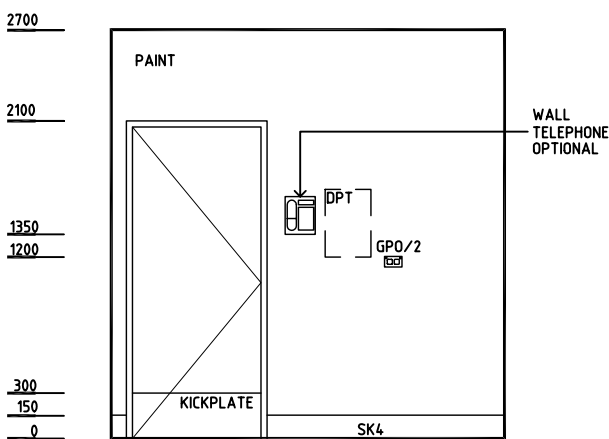
PLAN



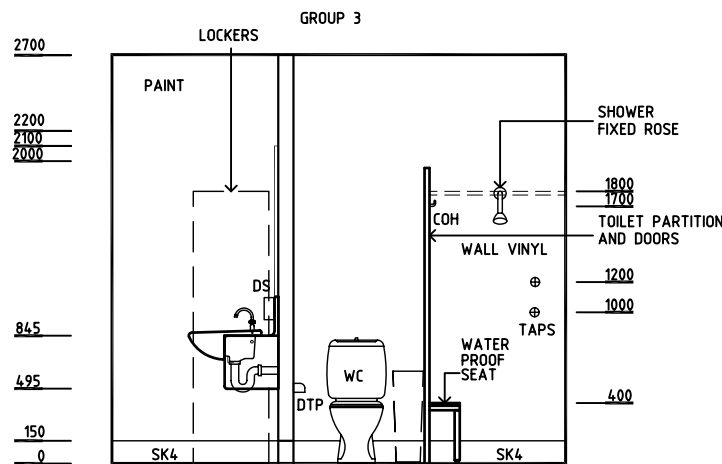
ELEVATION 1



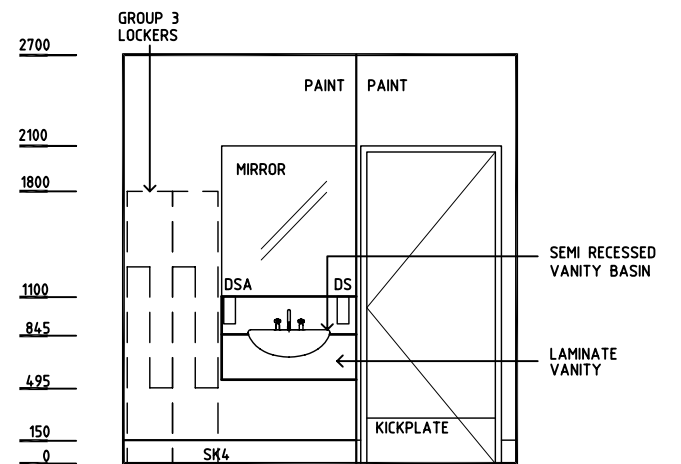
ELEVATION 2



ELEVATION 3



ELEVATION 4



ELEVATION 5

Rev	Revision Description	Date	Rev	Revision Description	Date	Rev	Revision Description	Date
1	FIRST ISSUE	16.9.04						
2	DRAWING REVISED	25.10.04						