

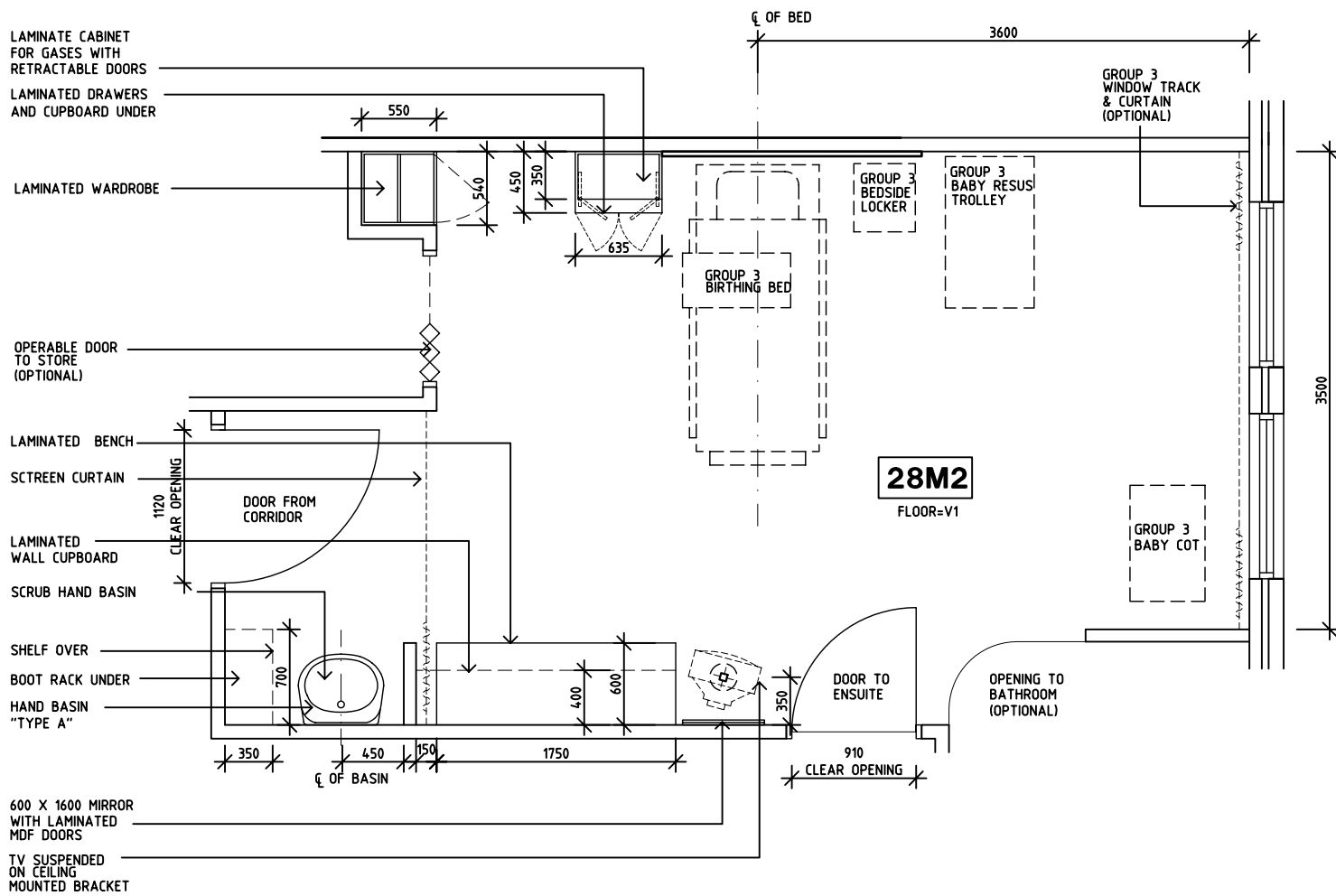
# DGHDP STANDARD COMPONENTS

Room Layout Sheet

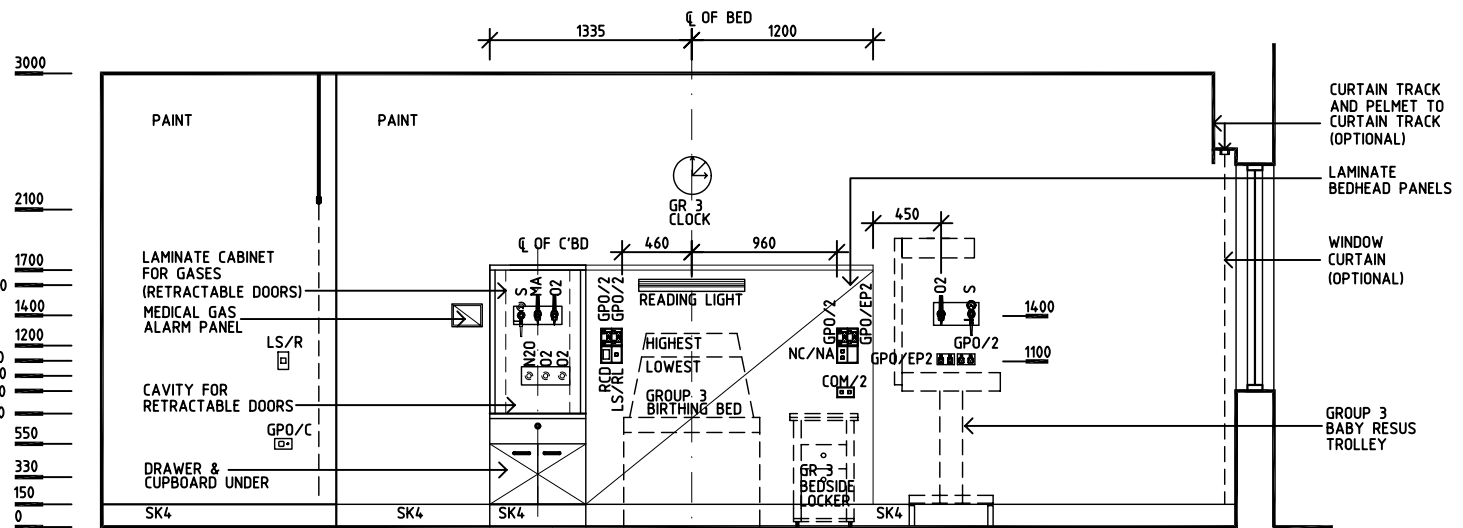
Room Name **Birthing Room - LDR**

ID No **BIRM**

- AS ADJUSTABLE SHELF
- COM/2 COMMUNICATION OUTLET - DOUBLE
- DDG DISPENSER - DISPOSABLE GLOVES
- DHT DISPENSER - HAND TOWEL
- DS DISPENSER - SOAP
- DSA DISPENSER - SOAP ANTISEPTIC
- DP DOOR AND DOOR FRAME PROTECTION
- EC EMERGENCY CALL
- FS FIXED SHELF
- GPO/2 GENERAL PURPOSE OUTLET- DOUBLE
- GPO/2EP EMERGENCY POWER - DOUBLE
- GPO/C GENERAL PURPOSE OUTLET- CLEANER'S
- LS/BATH LIGHT SWITCH - BATHROOM
- LS/ENS LIGHT SWITCH - SHOWER/WC
- LS/R LIGHT SWITCH - ROOM
- LS/RL LIGHT SWITCH - READING LIGHT
- MA MEDICAL AIR
- NA NURSE ASSIST
- NC NURSE CALL
- N02 NITROUS OXIDE
- O2 OXYGEN
- RCD RESIDUAL CURRENT DEVICE
- S SUCTION
- SK4 FLOOR VINYL COVERED SKIRTING
- V1 VINYL FLOORING, STANDARD



**PLAN**



**ELEVATION 1**

Rev	Revision Description	Date	Rev	Revision Description	Date	Rev	Revision Description	Date
1	FIRST ISSUE	1.10.04						
2	DRAWING REVISED	25.10.04						

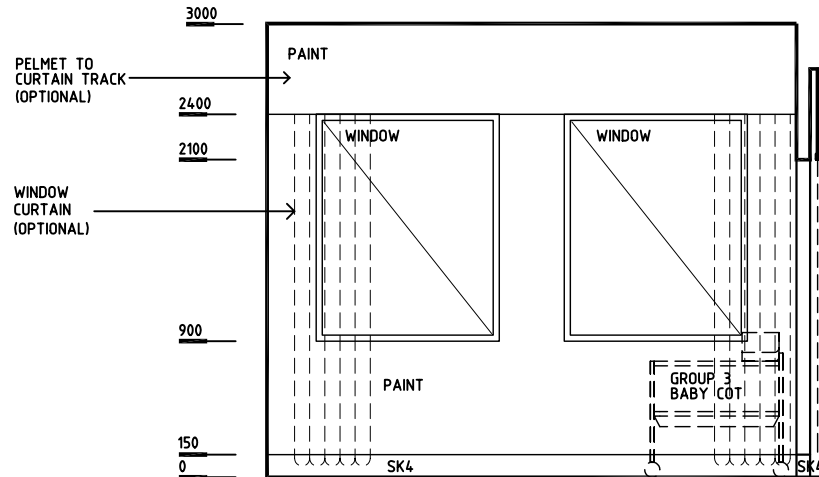
# DGHDP STANDARD COMPONENTS

Room Layout Sheet

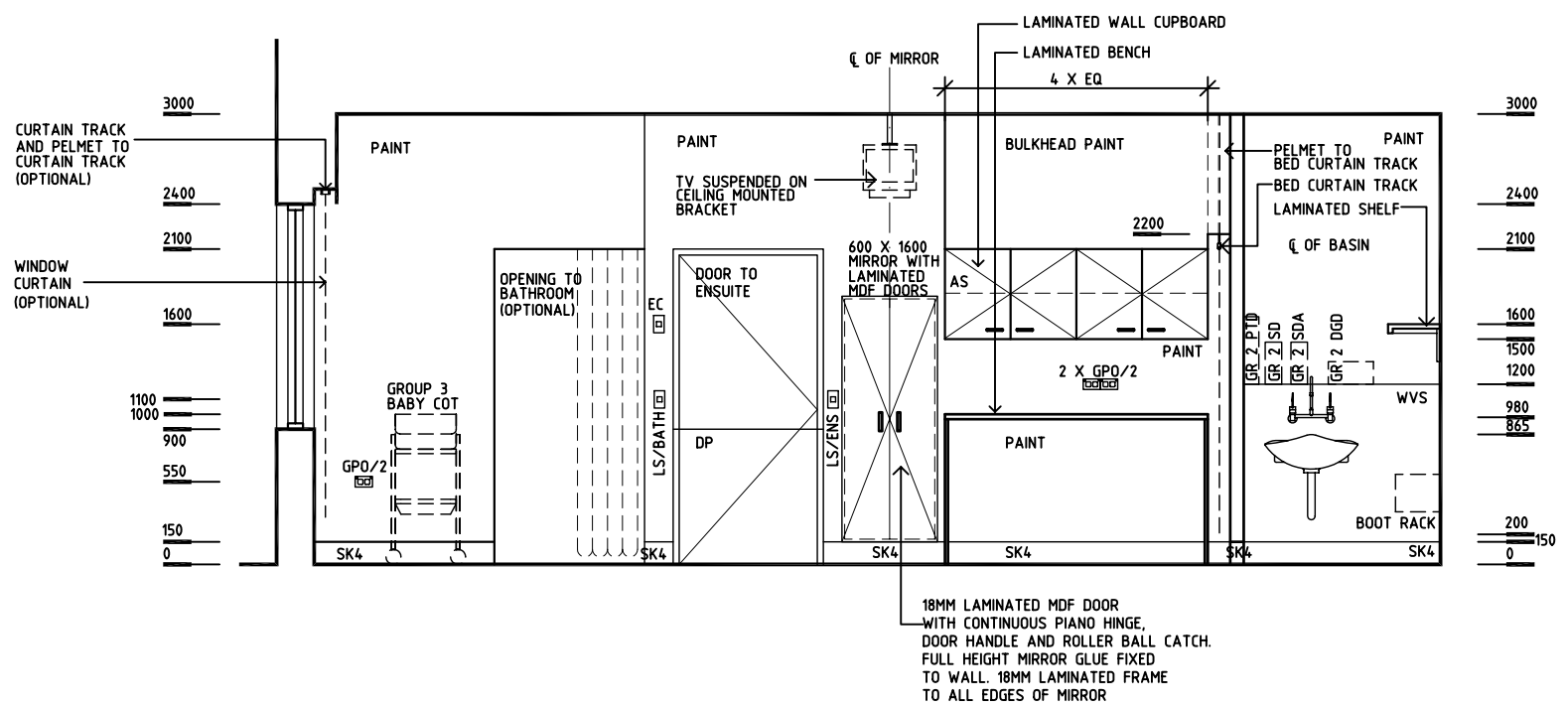
Room Name **Birthing Room - LDR**

ID No **BIRM**

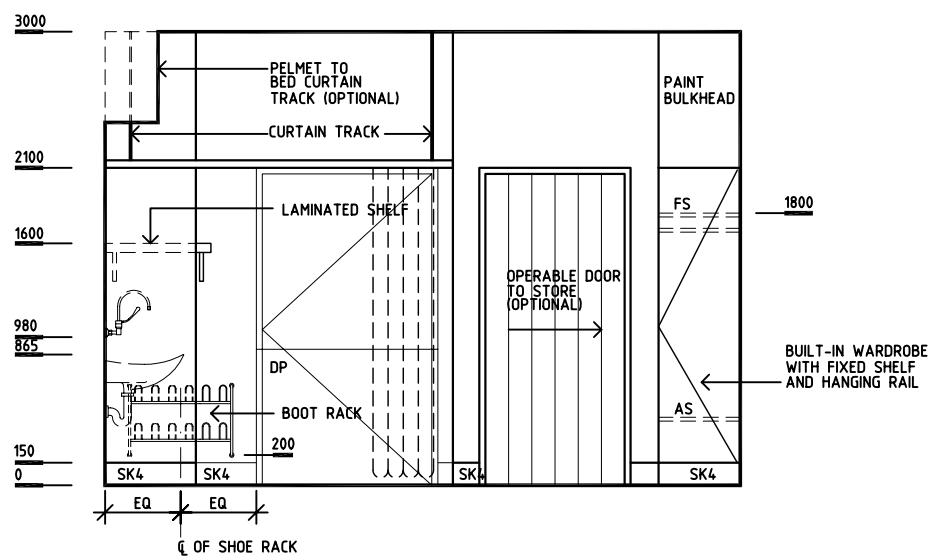
- AS ADJUSTABLE SHELF
- COM/2 COMMUNICATION OUTLET - DOUBLE
- DDG DISPENSER - DISPOSABLE GLOVES
- DHT DISPENSER - HAND TOWEL
- DS DISPENSER - SOAP
- DSA DISPENSER - SOAP ANTISEPTIC
- DP DOOR AND DOOR FRAME PROTECTION
- EC EMERGENCY CALL
- FS FIXED SHELF
- GPO/2 GENERAL PURPOSE OUTLET- DOUBLE
- GPO/2EP EMERGENCY POWER - DOUBLE
- LS/BATH LIGHT SWITCH - BATHROOM
- LS/ENS LIGHT SWITCH - SHOWER/WC
- LS/R LIGHT SWITCH - ROOM
- LS/RL LIGHT SWITCH - READING LIGHT
- MA MEDICAL AIR
- NA NURSE ASSIST
- NC NURSE CALL
- NO2 NITROUS OXIDE
- O2 OXYGEN
- RCD RESIDUAL CURRENT DEVICE
- S SUCTION
- SK4 FLOOR VINYL COVED SKIRTING
- V1 VINYL FLOORING, STANDARD



**ELEVATION 2**



**ELEVATION 3**



**ELEVATION 4**

Rev	Revision Description	Date	Rev	Revision Description	Date	Rev	Revision Description	Date																				
1	FIRST ISSUE	1.10.04																										
<table border="1" style="width: 100%; border-collapse: collapse;"> <thead> <tr> <th>Drawn</th> <th>Checked</th> <th>Date</th> <th>Scale</th> <th>Sheet</th> </tr> </thead> <tbody> <tr> <td>CC</td> <td>DB</td> <td>1.10.04</td> <td>1:50 in A3</td> <td>2 of 2</td> </tr> <tr> <td colspan="2">CAD File</td> <td>Drawing No.</td> <td colspan="2">Issue</td> </tr> <tr> <td colspan="2">BIRM</td> <td><b>BIRMB</b></td> <td colspan="2"><b>1</b></td> </tr> </tbody> </table>									Drawn	Checked	Date	Scale	Sheet	CC	DB	1.10.04	1:50 in A3	2 of 2	CAD File		Drawing No.	Issue		BIRM		<b>BIRMB</b>	<b>1</b>	
Drawn	Checked	Date	Scale	Sheet																								
CC	DB	1.10.04	1:50 in A3	2 of 2																								
CAD File		Drawing No.	Issue																									
BIRM		<b>BIRMB</b>	<b>1</b>																									