

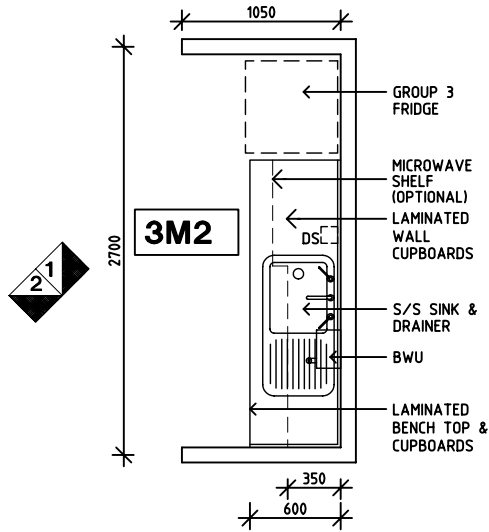
# DGHDP STANDARD COMPONENTS

Room Layout Sheet

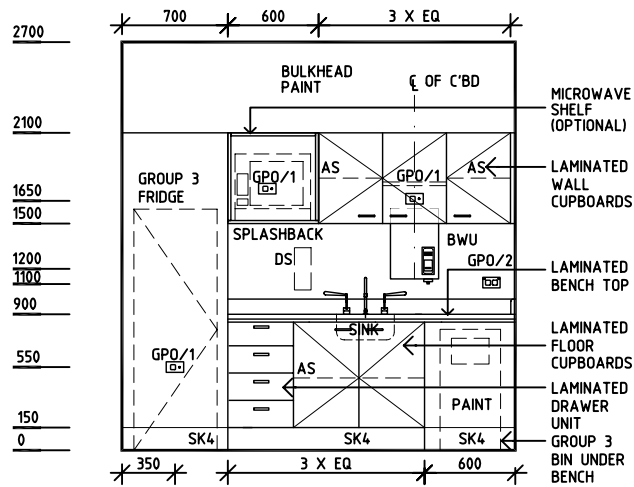
Room Name **Bay - Beverage**

ID No **BBEV**

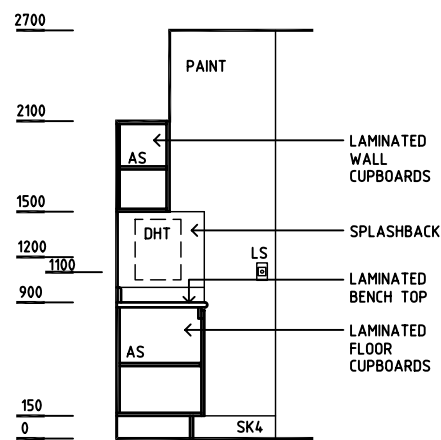
|       |                               |
|-------|-------------------------------|
| AS    | ADJUSTABLE SHELF              |
| BWU   | BOILING WATER UNIT            |
| DHT   | DISPENSER-HAND TOWEL          |
| DS    | DISPENSER-SOAP                |
| GPO/1 | GENERAL PURPOSE OUTLET-SINGLE |
| GPO/2 | GENERAL PURPOSE OUTLET-DOUBLE |
| LS    | LIGHT SWITCH                  |
| SK4   | FLOOR VINYL COVERED           |
| V1    | VINYL FLOORING, STANDARD      |



**PLAN**



**ELEVATION 1**



**ELEVATION 2**

| Rev | Revision Description | Date     | Rev | Revision Description | Date | Rev | Revision Description | Date |
|-----|----------------------|----------|-----|----------------------|------|-----|----------------------|------|
| 1   | FIRST ISSUE          | 16.9.04  |     |                      |      |     |                      |      |
| 2   | DRAWING REVISED      | 25.10.04 |     |                      |      |     |                      |      |