

# DGHDP STANDARD COMPONENTS

Room Layout Sheet

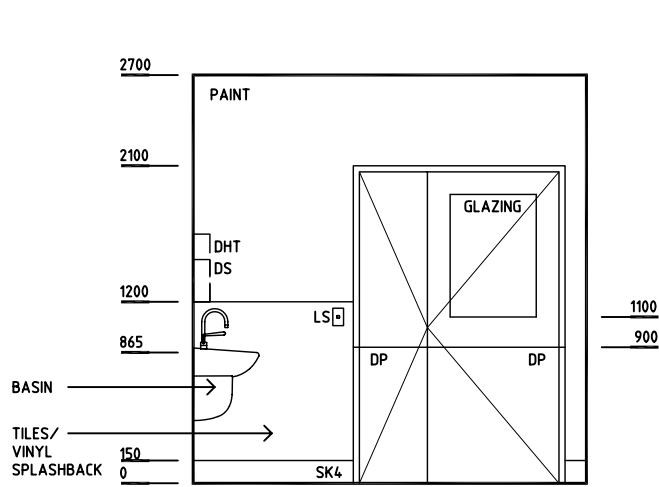
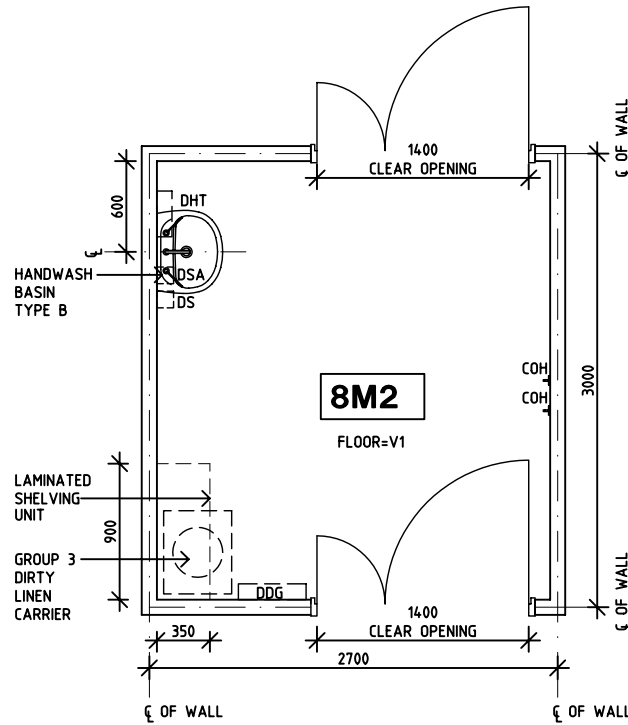
Room Name **Ante-Room**

ID No **ANRM**

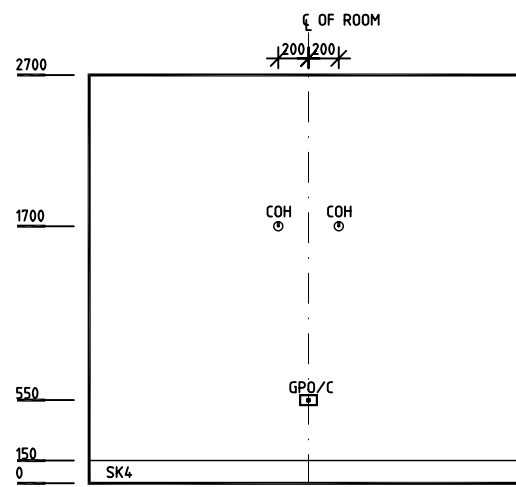
- AS ADJUSTABLE SHELF
- COH COAT HOOK
- DDG DISPENSER - DISPOSABLE GLOVES
- DHT DISPENSER - HAND TOWEL
- DS DISPENSER - SOAP
- DSA DISPENSER - SOAP ANTISEPTIC
- DP DOOR AND DOOR FRAME PROTECTION
- GPO/C GENERAL PURPOSE OUTLET-CLEANER'S
- LS LIGHT SWITCH
- SK4 FLOOR VINYL COVERED SKIRTING
- V1 VINYL FLOORING, STANDARD



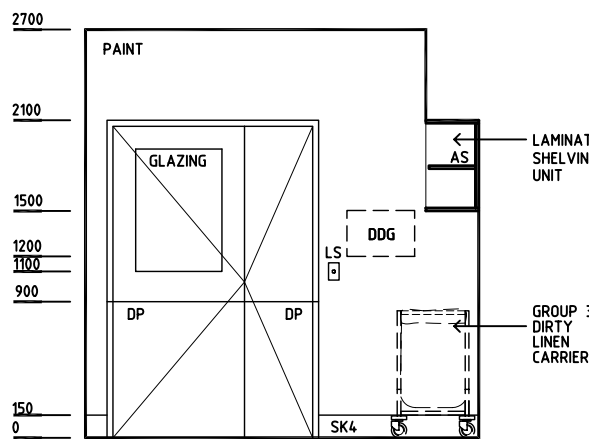
**PLAN**



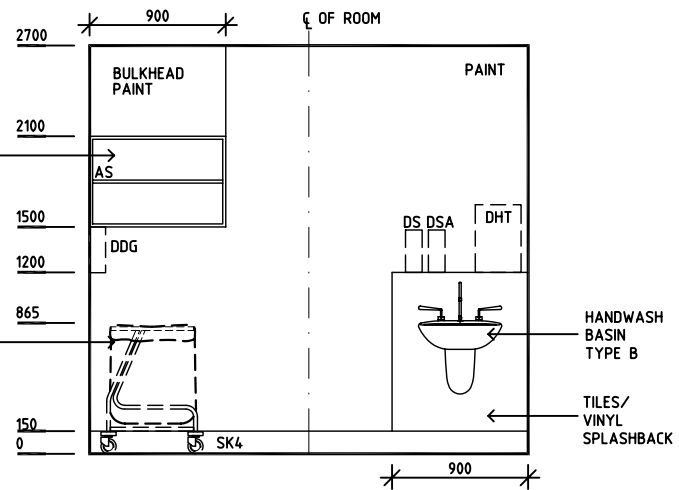
**ELEVATION 1**



**ELEVATION 2**



**ELEVATION 3**



**ELEVATION 4**

Rev	Revision Description	Date	Rev	Revision Description	Date	Rev	Revision Description	Date
1	FIRST ISSUE	16.9.04						
2	DRAWING REVISED	22.10.04						