

DGHDP STANDARD COMPONENTS

Room Layout Sheet

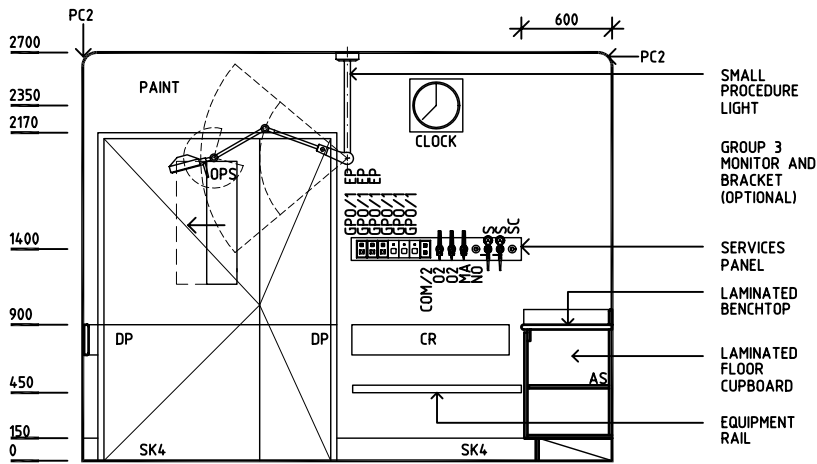
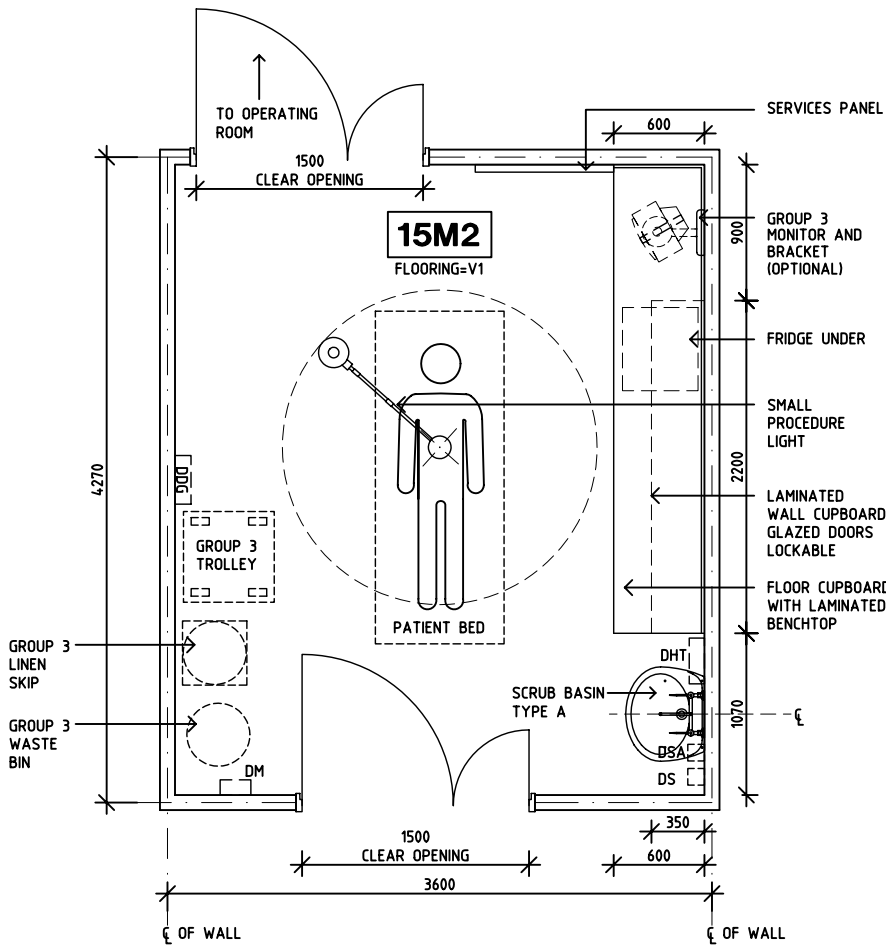
Room Name **Anaesthetic Induction Room**

ID No **ANIN**

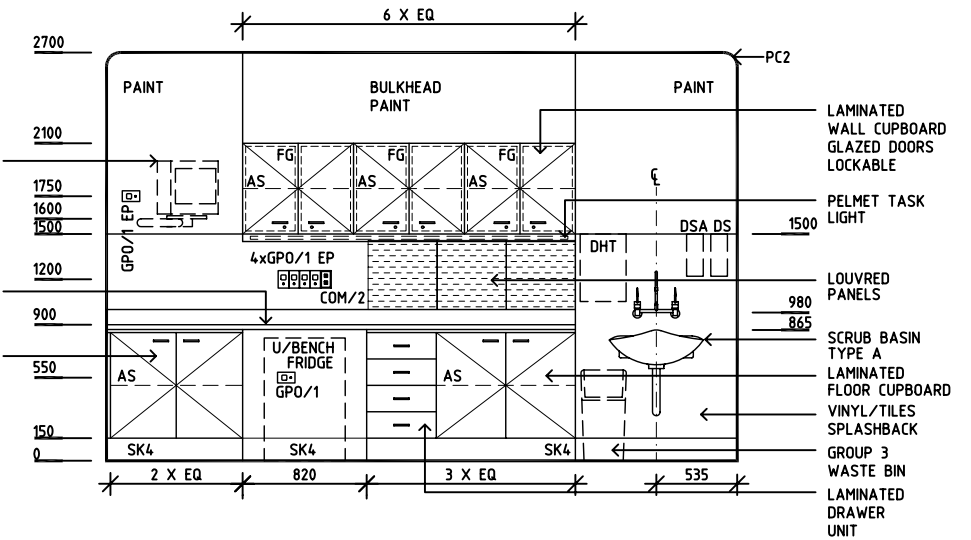
- AS ADJUSTABLE SHELF
- CR CRASH RAIL
- COM/2 COMMUNICATION OUTLET - DOUBLE
- DDG DISPENSER - DISPOSABLE GLOVES
- DHT DISPENSER - HAND TOWEL
- DM DISPENSER - MASK
- DP DOOR AND DOOR FRAME PROTECTION
- DS DISPENSER - SOAP
- DSA DISPENSER - SOAP ANTISEPTIC
- EC EMERGENCY CALL
- FG FIXED GLASS
- GPO/EP/1 EMERGENCY POWER - SINGLE
- GPO/2 GENERAL PURPOSE OUTLET - DOUBLE
- GPO/C GENERAL PURPOSE-CLEANER'S
- LS LIGHT SWITCH
- MA MEDICAL AIR
- NA NURSE ASSIST
- NO NITROUS OXIDE
- NC NURSE CALL
- O2 OXYGEN
- OC ORDERLY CALL
- OPS OBSERVATION PANEL WITH SLIDING DOOR
- PC2 PLASTERBOARD CORNICE FLUSH SET
- RCD RESIDUAL CURRENT DEVICE
- S SUCTION
- SC SCAVENGE
- SK4 FLOOR VINYL COVERED SKIRTING
- V1 VINYL FLOORING, STANDARD



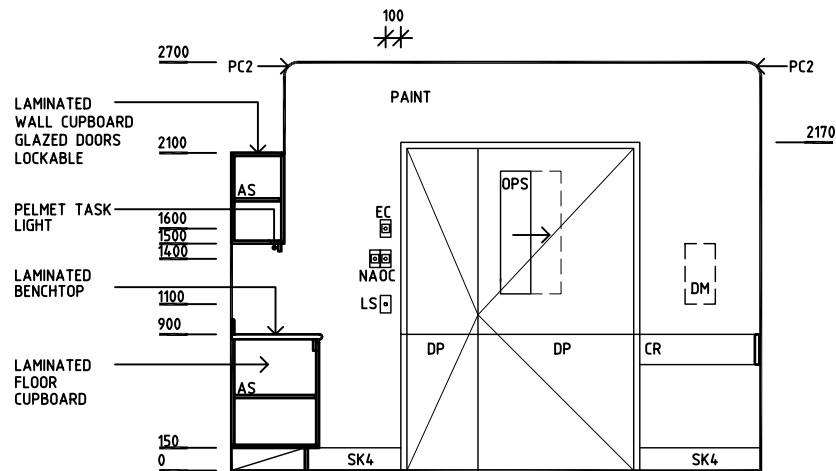
PLAN



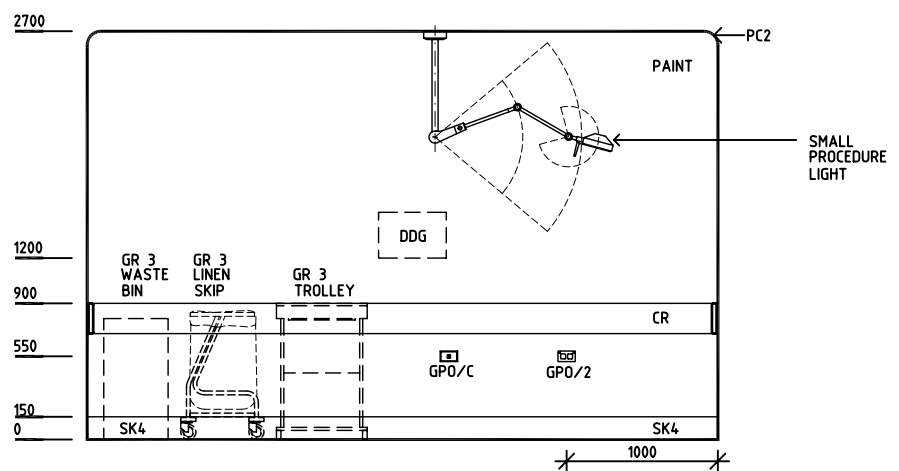
ELEVATION 1



ELEVATION 2



ELEVATION 3



ELEVATION 4

Rev	Revision Description	Date	Rev	Revision Description	Date	Rev	Revision Description	Date
1	FIRST ISSUE	16.9.04						
2	DRAWING REVISED	22.10.04						