

# DGHDP STANDARD COMPONENTS

Room Layout Sheet

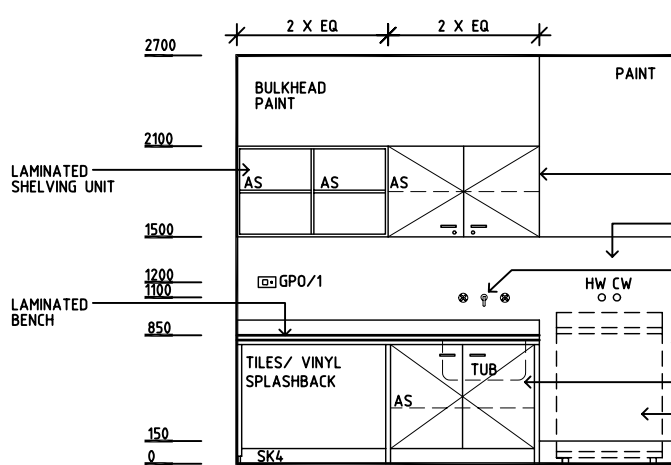
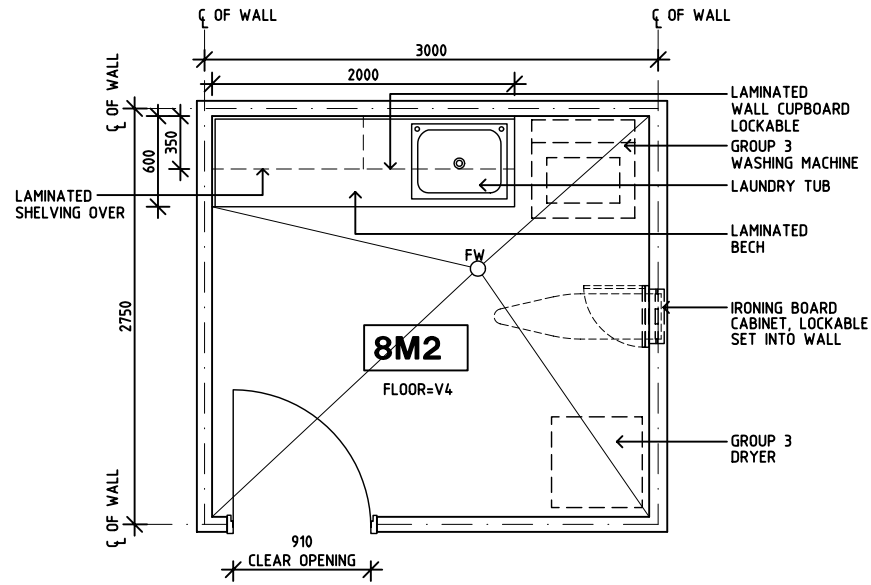
Room Name **ADL Laundry**

ID No **ADLL**

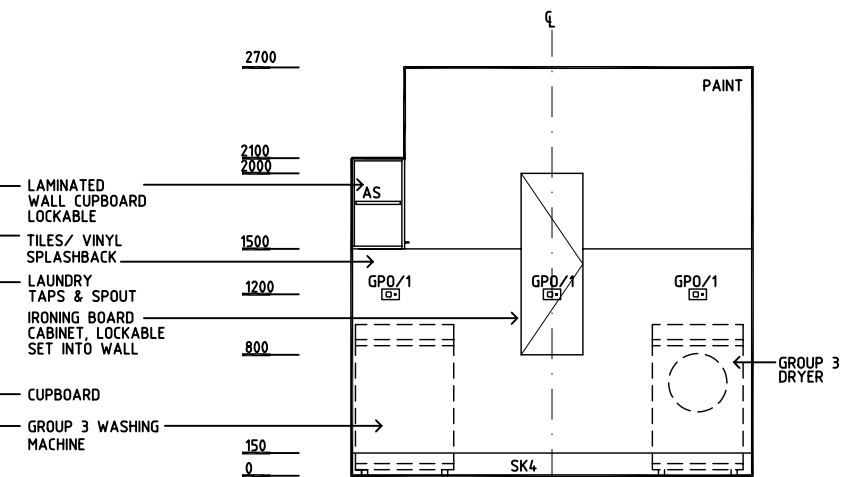
- AS ADJUSTABLE SHELF
- CW COLD WATER
- DP DOOR AND FRAME PROTECTION
- FW FLOOR WASTE
- GPO/1 GENERAL PURPOSE OUTLET-SINGLE
- GPO/C GENERAL PURPOSE OUTLET-CLEANER
- HW HOT WATER
- LS LIGHT SWITCH
- SK4 FLOOR VINYL COVERED
- V4 FLOOR VINYL SAFETY



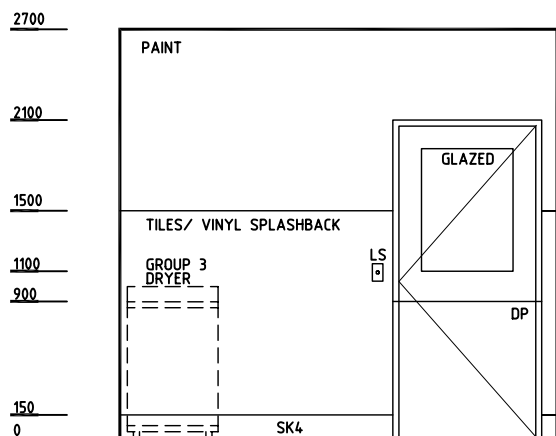
**PLAN**



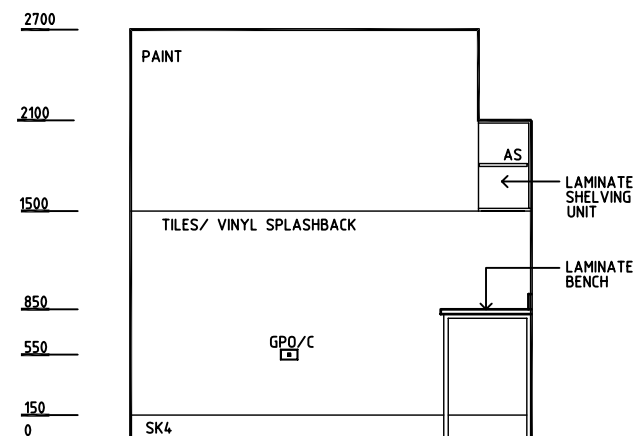
**ELEVATION 1**



**ELEVATION 2**



**ELEVATION 3**



**ELEVATION 4**

| Rev | Revision Description | Date     | Rev | Revision Description | Date | Rev | Revision Description | Date |
|-----|----------------------|----------|-----|----------------------|------|-----|----------------------|------|
| 1   | FIRST ISSUE          | 16.9.04  |     |                      |      |     |                      |      |
| 2   | DRAWING REVISED      | 22.10.04 |     |                      |      |     |                      |      |