

DGHDP STANDARD COMPONENTS

Room Layout Sheet

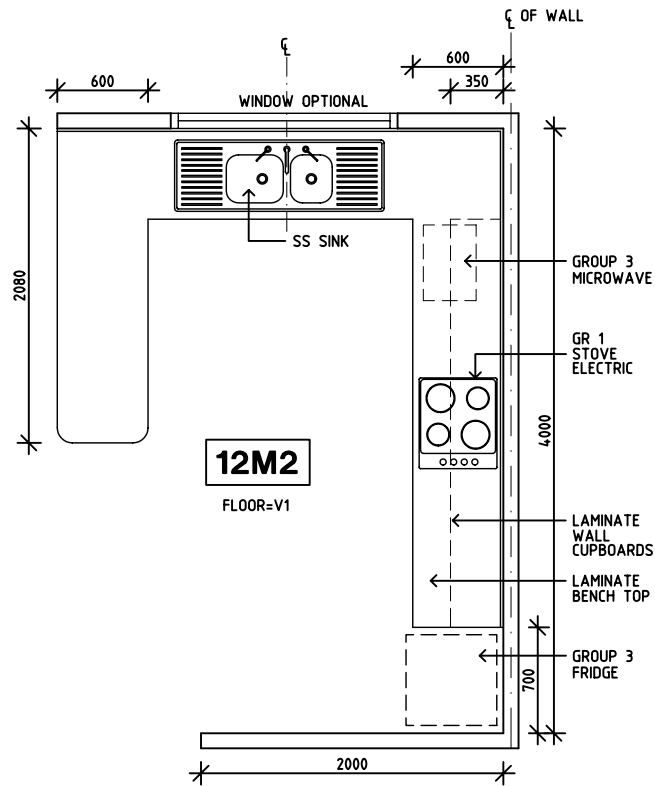
Room Name **ADL Kitchen**

ID No **ADLK**

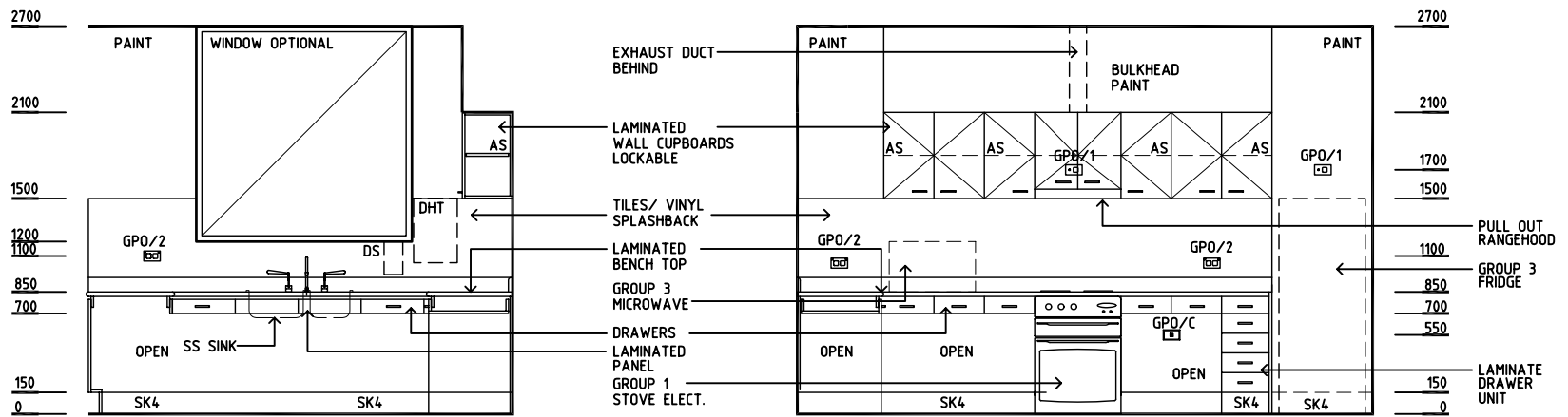
- AS ADJUSTABLE SHELF
- DPT DISPENSER - PAPER TOWEL
- DS DISPENSER - SOAP
- GPO/1 GENERAL PURPOSE OUTLET-SINGLE
- GPO/2 GENERAL PURPOSE OUTLET-DOUBLE
- GPO/C GENERAL PURPOSE OUTLET-CLEANER'S
- GPO/S GENERAL PURPOSE OUTLET-SPECIAL
- LS LIGHT SWITCH
- SK4 FLOOR VINYL COVERED
- SS STAINLESS STEEL
- V1 VINYL FLOORING STANDARD



PLAN

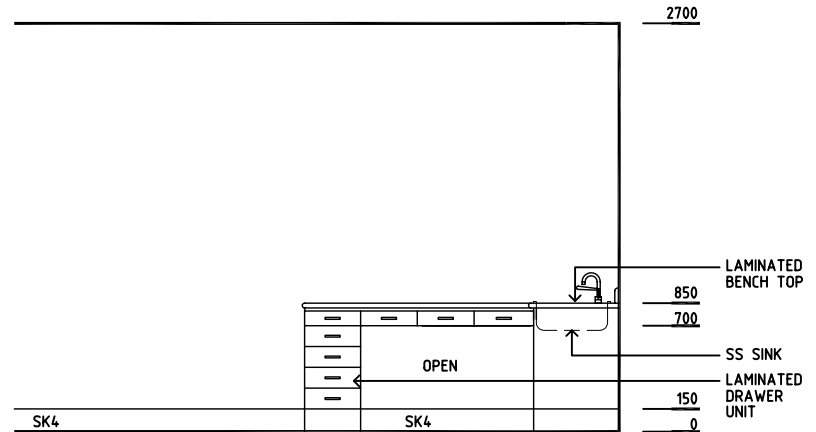
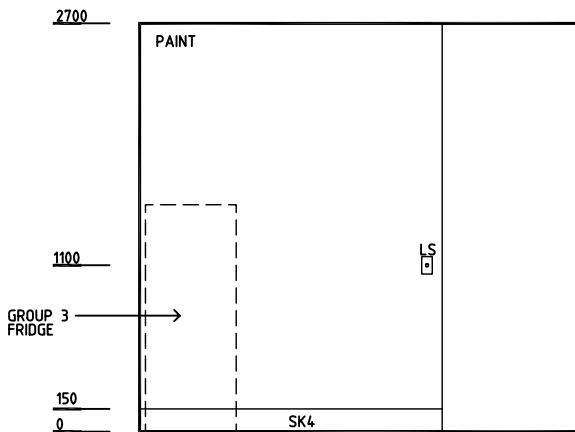


OPTION 1 OPEN BAY



ELEVATION 1

ELEVATION 2



ELEVATION 3

ELEVATION 4

Rev	Revision Description	Date	Rev	Revision Description	Date	Rev	Revision Description	Date
1	FIRST ISSUE	16.9.04						
2	DRAWING REVISED	22.10.04						

Drawn	Checked	Date	Scale	Sheet
CC	DB	22.10.04	1:50 in A3	1 of 2
CAD File		Drawing No.		Issue
ADLK		ADLKa		2

DGHDP STANDARD COMPONENTS

Room Layout Sheet

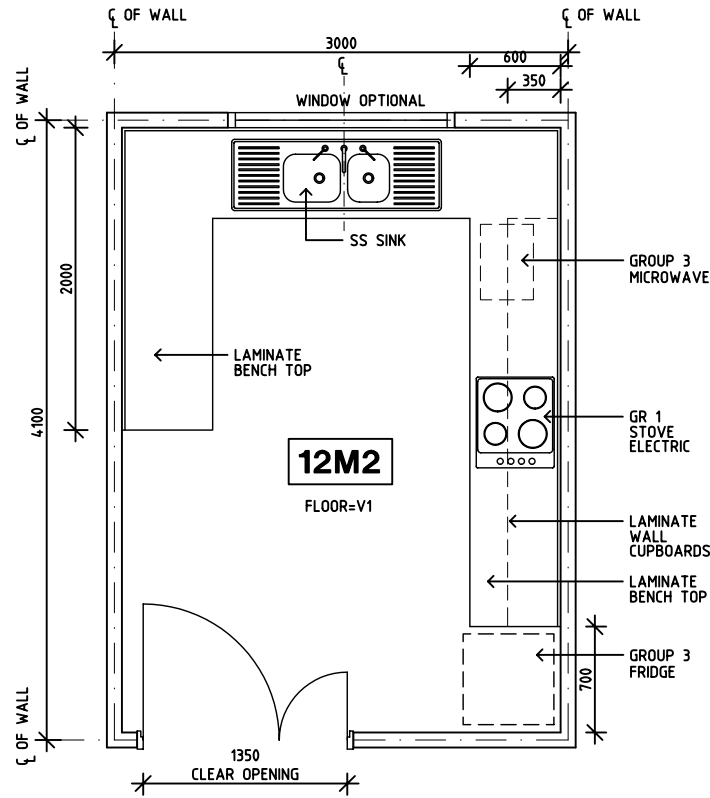
Room Name **ADL Kitchen**

ID No **ADLK**

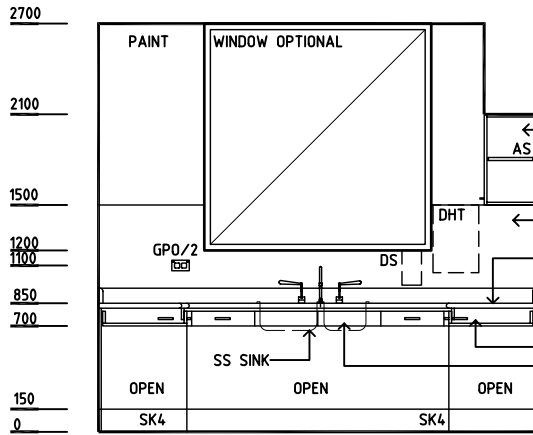
- AS ADJUSTABLE SHELF
- DPT DISPENSER - PAPER TOWEL
- DS DISPENSER - SOAP
- GPO/1 GENERAL PURPOSE OUTLET-SINGLE
- GPO/2 GENERAL PURPOSE OUTLET-DOUBLE
- GPO/C GENERAL PURPOSE OUTLET-CLEANER'S
- GPO/S GENERAL PURPOSE OUTLET-SPECIAL
- LS LIGHT SWITCH
- SK4 FLOOR VINYL COVERED
- SS STAINLESS STEEL
- V1 VINYL FLOORING STANDARD



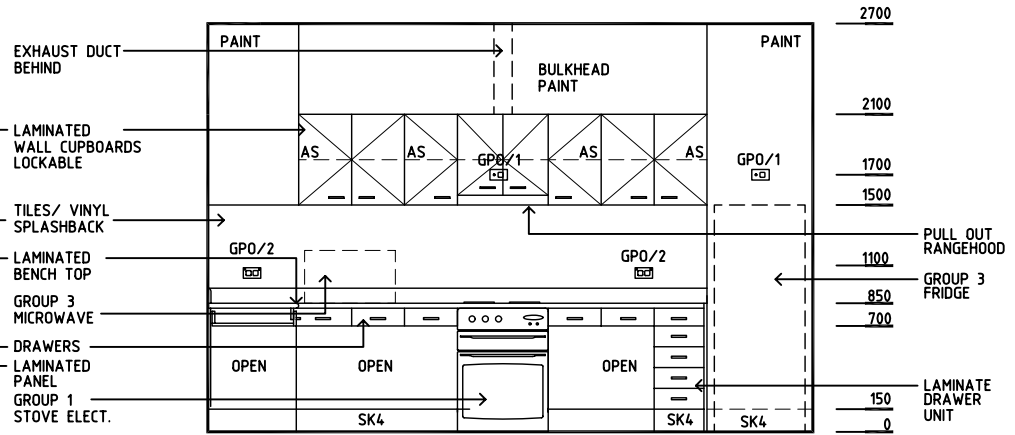
PLAN



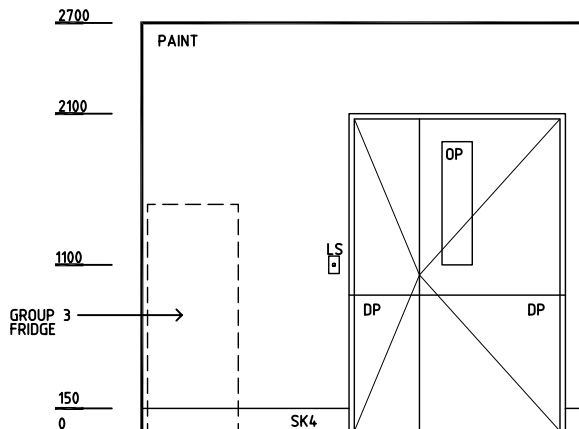
OPTION 2 ENCLOSED AREA



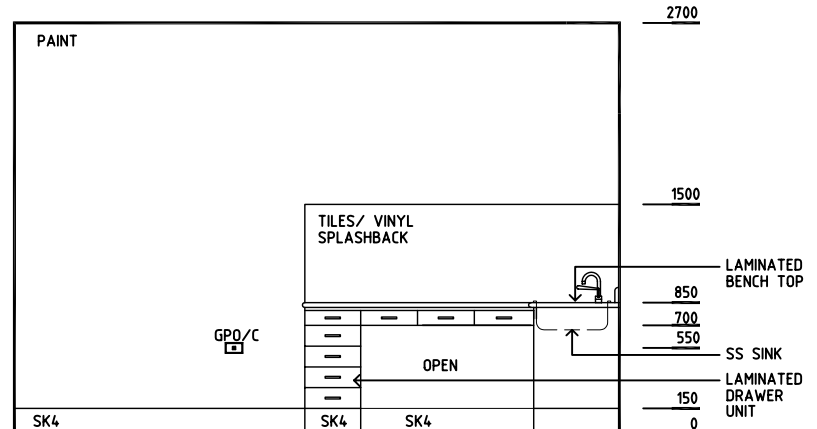
ELEVATION 1



ELEVATION 2



ELEVATION 3



ELEVATION 4

Rev	Revision Description	Date	Rev	Revision Description	Date	Rev	Revision Description	Date
1	FIRST ISSUE	16.9.04						
2	DRAWING REVISED	22.10.04						

Drawn	Checked	Date	Scale	Sheet
CC	DB	22.10.04	1:50 in A3	2 of 2
CAD File		Drawing No.		Issue
ADLK		ADLKb		2