

# DGHDP STANDARD COMPONENTS

Room Layout Sheet

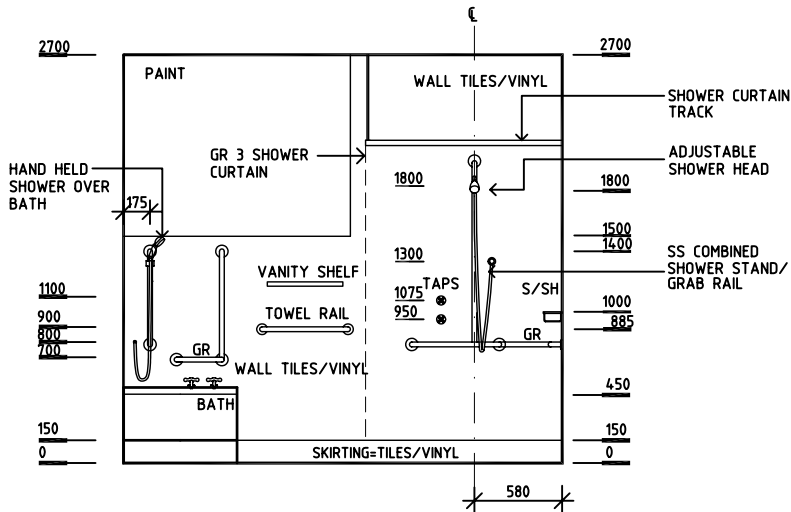
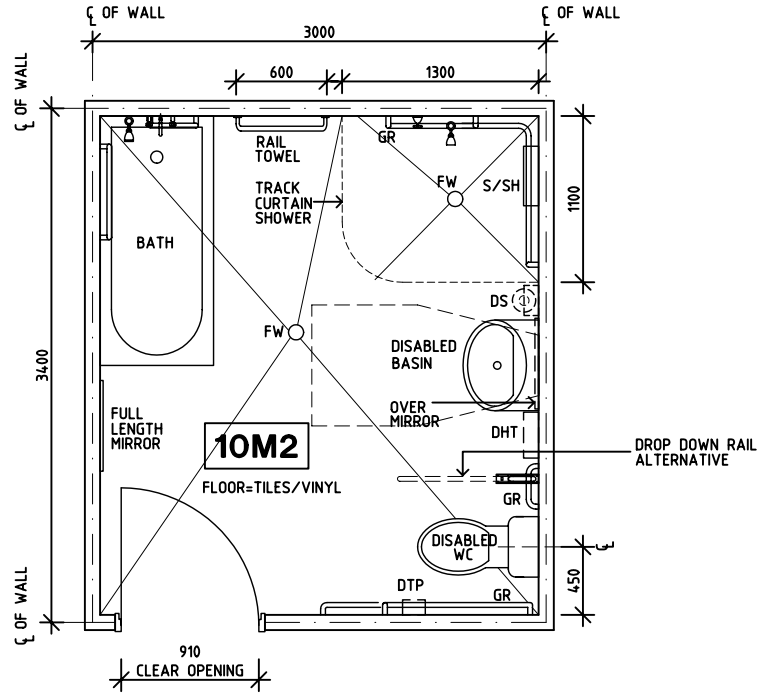
Room Name **ADL Bathroom**

ID No **ADLB**

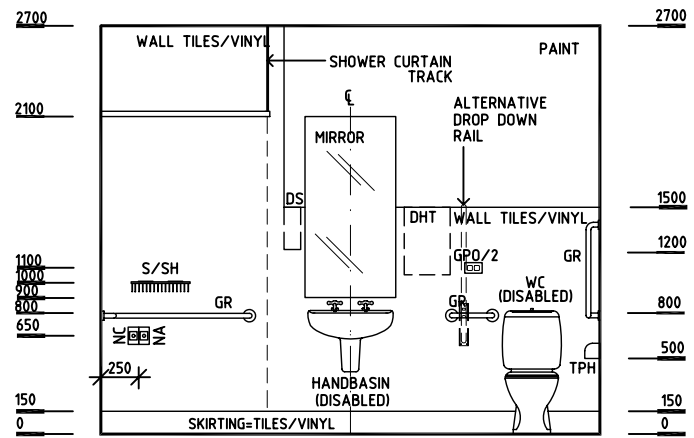
- AS ADJUSTABLE SHELF
- CW COLD WATER
- DP DOOR AND FRAME PROTECTION
- FW FLOOR WASTE
- GPO/1 GENERAL PURPOSE OUTLET-SINGLE
- GPO/C GENERAL PURPOSE OUTLET-CLEANER'S
- HW HOT WATER
- LS LIGHT SWITCH
- SK4 FLOOR VINYL COVERED
- V4 FLOOR VINYL SAFETY



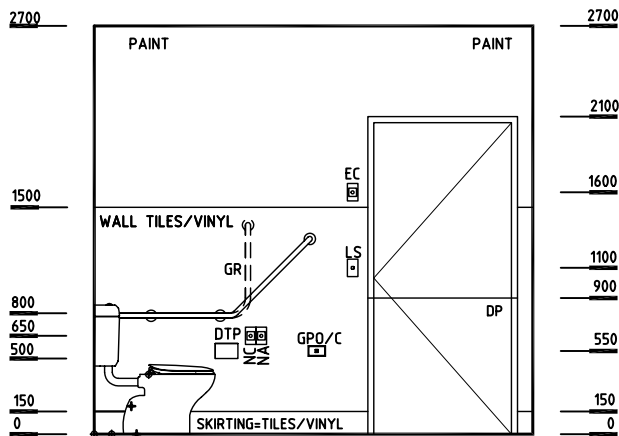
**PLAN**



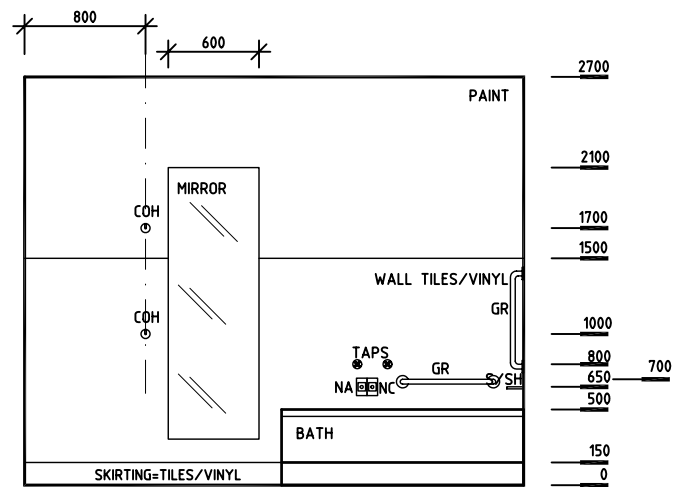
**ELEVATION 1**



**ELEVATION 2**



**ELEVATION 3**



**ELEVATION 4**

Rev	Revision Description	Date	Rev	Revision Description	Date	Rev	Revision Description	Date
1	FIRST ISSUE	23.9.04						
2	DRAWING REVISED	22.10.04						