

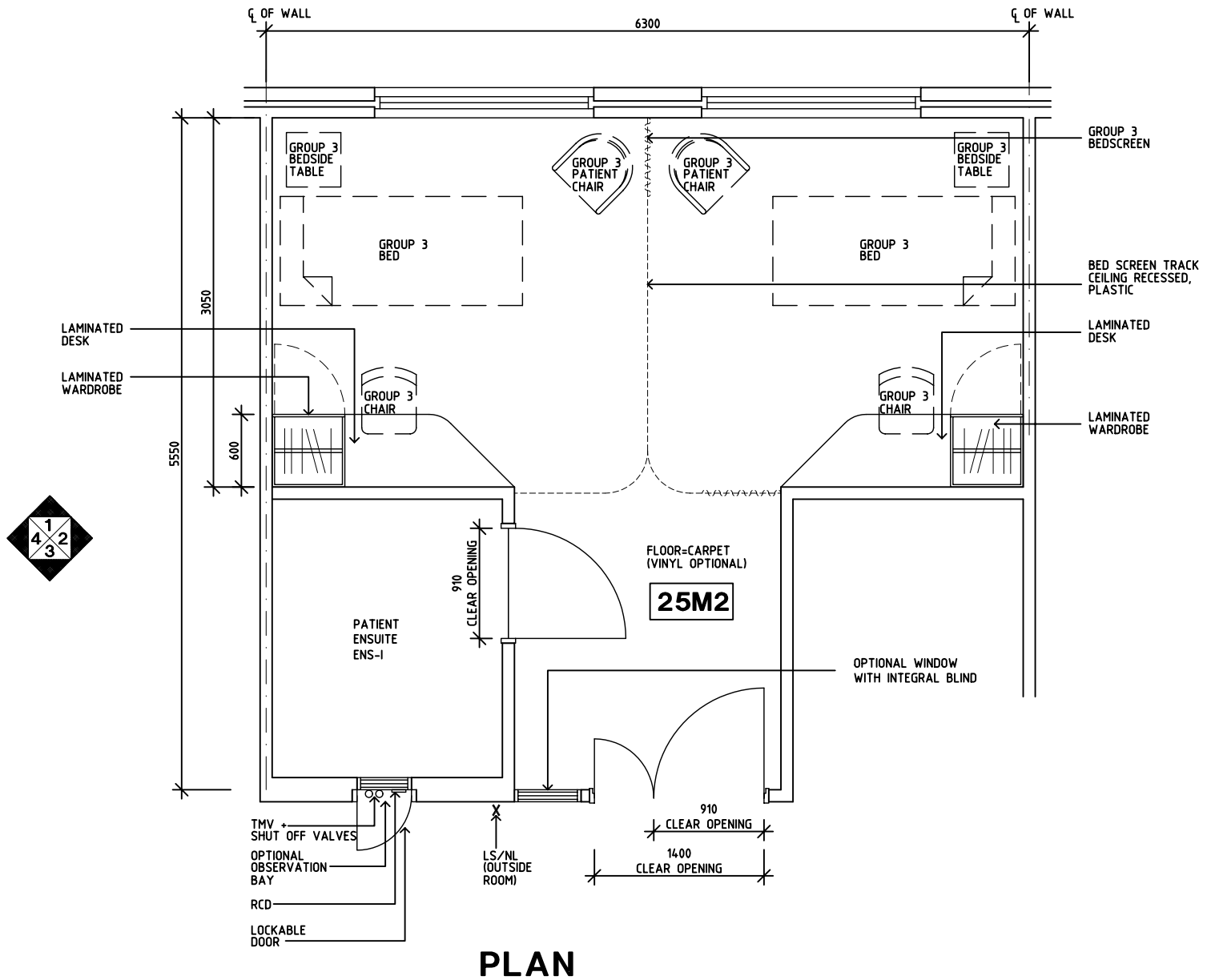
DGHDP STANDARD COMPONENTS

Room Layout Sheet

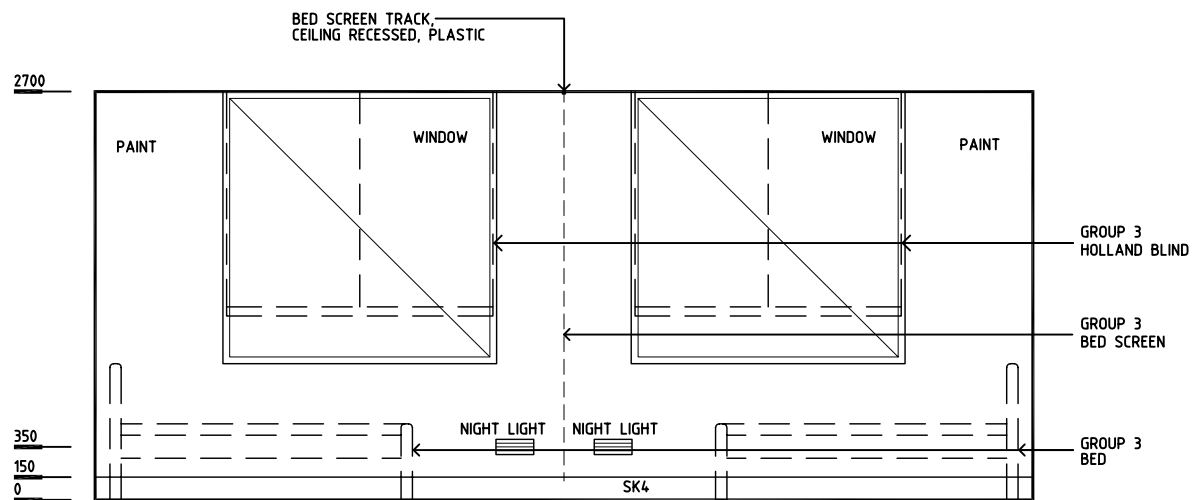
Room Name **2 Bed Room - Mental Health (Shared Ensuite)**

ID No **2 BR-E**

- FS FIXED SHELF
- GPO/1 GENERAL PURPOSE OUTLET-SINGLE
- LS/ENS LIGHT SWITCH - ENSUITE
- LS/NL LIGHT SWITCH - NIGHT LIGHT
- LS/R LIGHT SWITCH - ROOM
- LS/RL LIGHT SWITCH - READING LIGHT
- NA NURSE ASSIST
- NC NURSE CALL
- OP OBSERVATION PANEL
- RCD RESIDUAL CURRENT DEVICE
- SK5 FEATHER EDGE VINYL SKIRTING



PLAN



ELEVATION 1

Rev	Revision Description	Date	Rev	Revision Description	Date	Rev	Revision Description	Date
1	FIRST ISSUE	16.9.04						

HEALTH PROJECTS INTERNATIONAL (c) Ground Floor, Suite 1, 68 Alfred Street, Milsons Point NSW 2061 Ph: (02)9460 4199 www.hpi.net.au ACN: 066 856 595	The Department of Human Services, Victoria Design guidelines for hospitals and day procedure centres	The Place To Be	Drawn	Checked	Date	Scale	Sheet
			CC	DB	27.10.04	1:50 in A3	1 of 2
			2 BR-E		Drawing No.	Issue	

Drawn	Checked	Date	Scale	Sheet
CC	DB	27.10.04	1:50 in A3	1 of 2
2 BR-E		Drawing No.	Issue	
		2 BR-Ea	1	

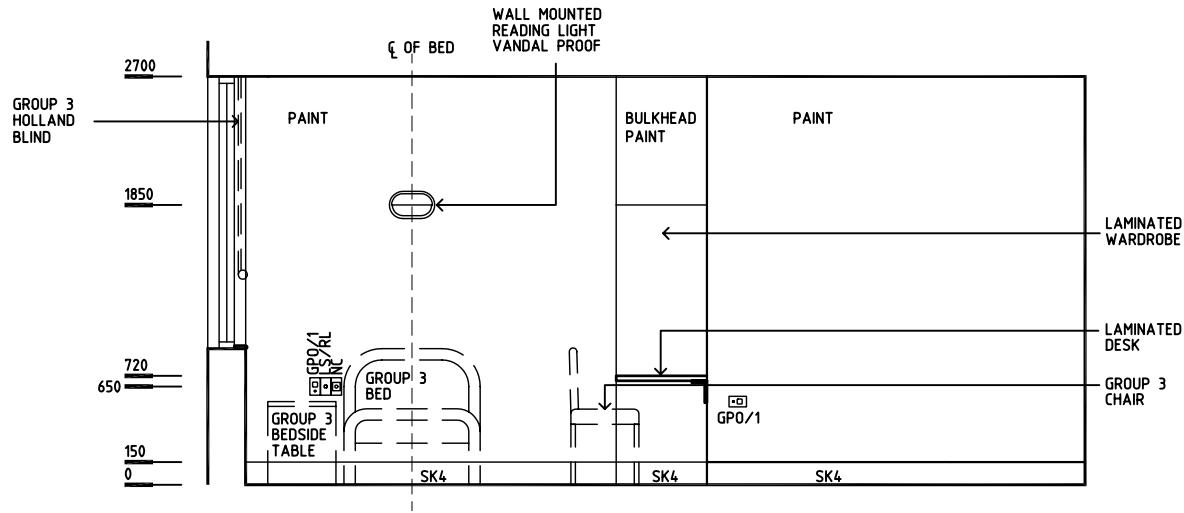
DGHDP STANDARD COMPONENTS

Room Layout Sheet

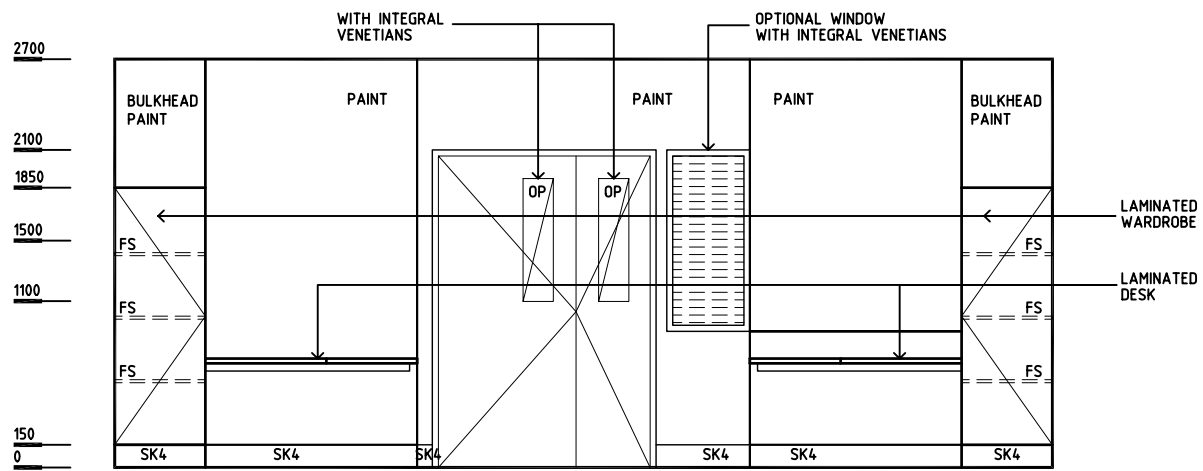
Room Name **2 Bed Room - Mental Health (Shared Ensuite)**

ID No **2 BR-E**

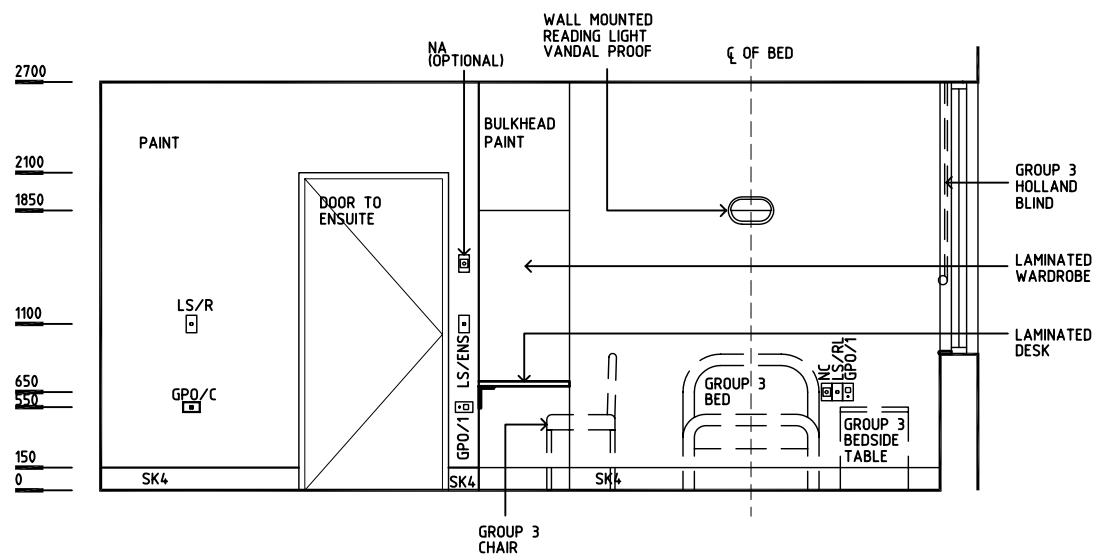
- FS FIXED SHELF
- GPO/1 GENERAL PURPOSE OUTLET-SINGLE
- LS/ENS LIGHT SWITCH - ENSUITE
- LS/NL LIGHT SWITCH - NIGHT LIGHT
- LS/R LIGHT SWITCH - ROOM
- LS/RL LIGHT SWITCH - READING LIGHT
- NA NURSE ASSIST
- NC NURSE CALL
- OP OBSERVATION PANEL
- RCD RESIDUAL CURRENT DEVICE
- SK5 FEATHER EDGE VINYL SKIRTING



ELEVATION 2



ELEVATION 3



ELEVATION 4

Rev	Revision Description	Date	Rev	Revision Description	Date	Rev	Revision Description	Date
1	FIRST ISSUE	27.10.04						

Drawn	Checked	Date	Scale	Sheet
CC	DB	27.10.04	1:50 in A3	2 of 2
CAD File		Drawing No.	Issue	
2 BR-E		2 BR-Eb	1	