

DGHDP STANDARD COMPONENTS

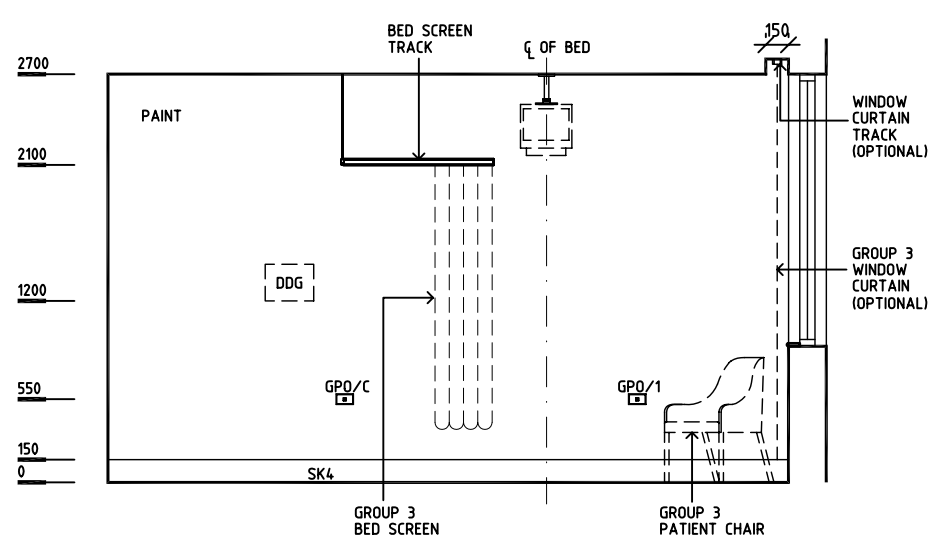
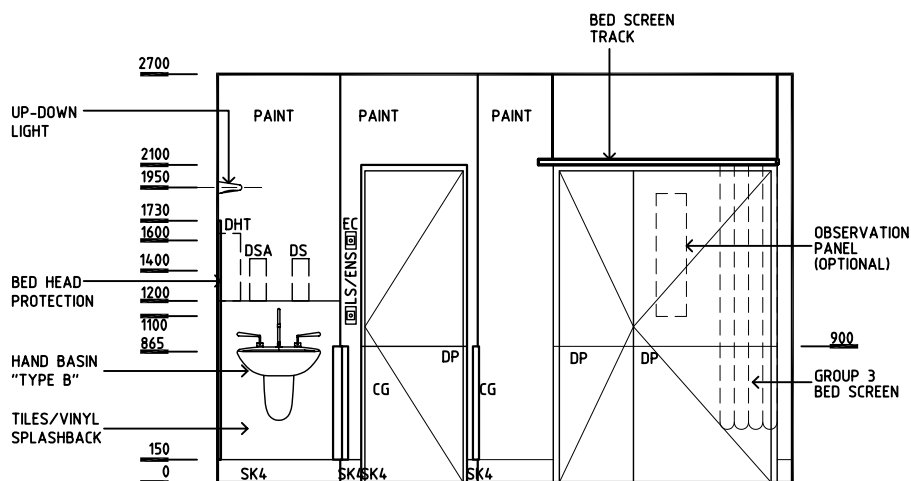
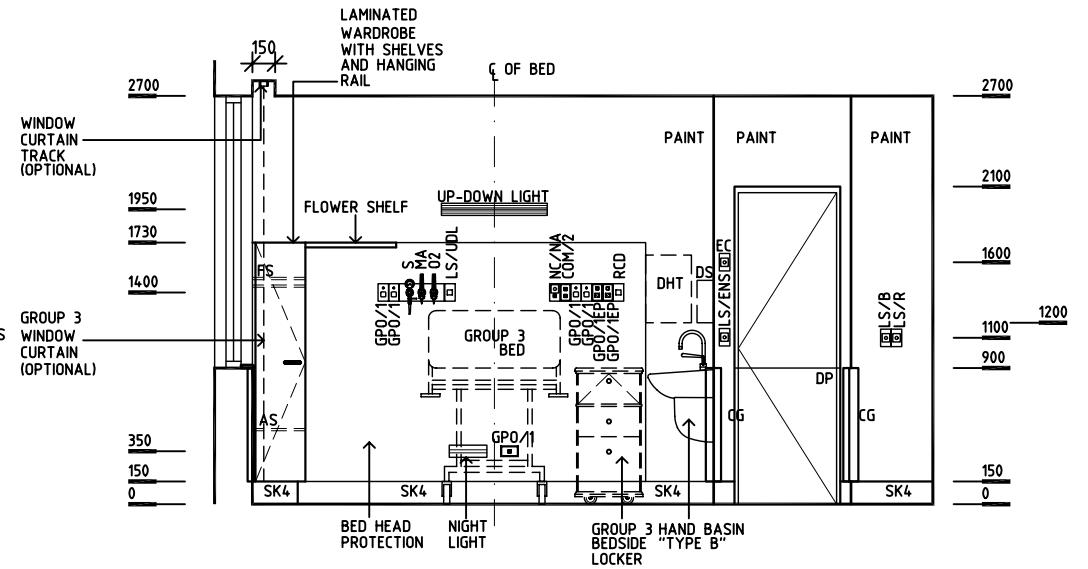
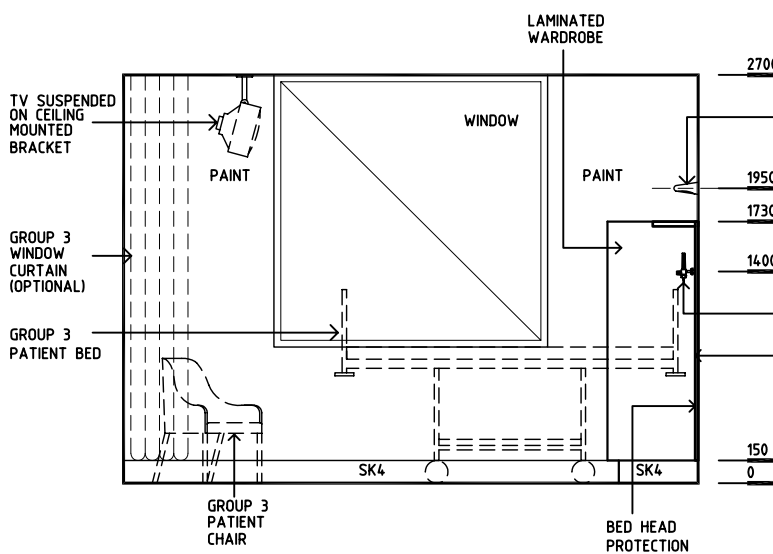
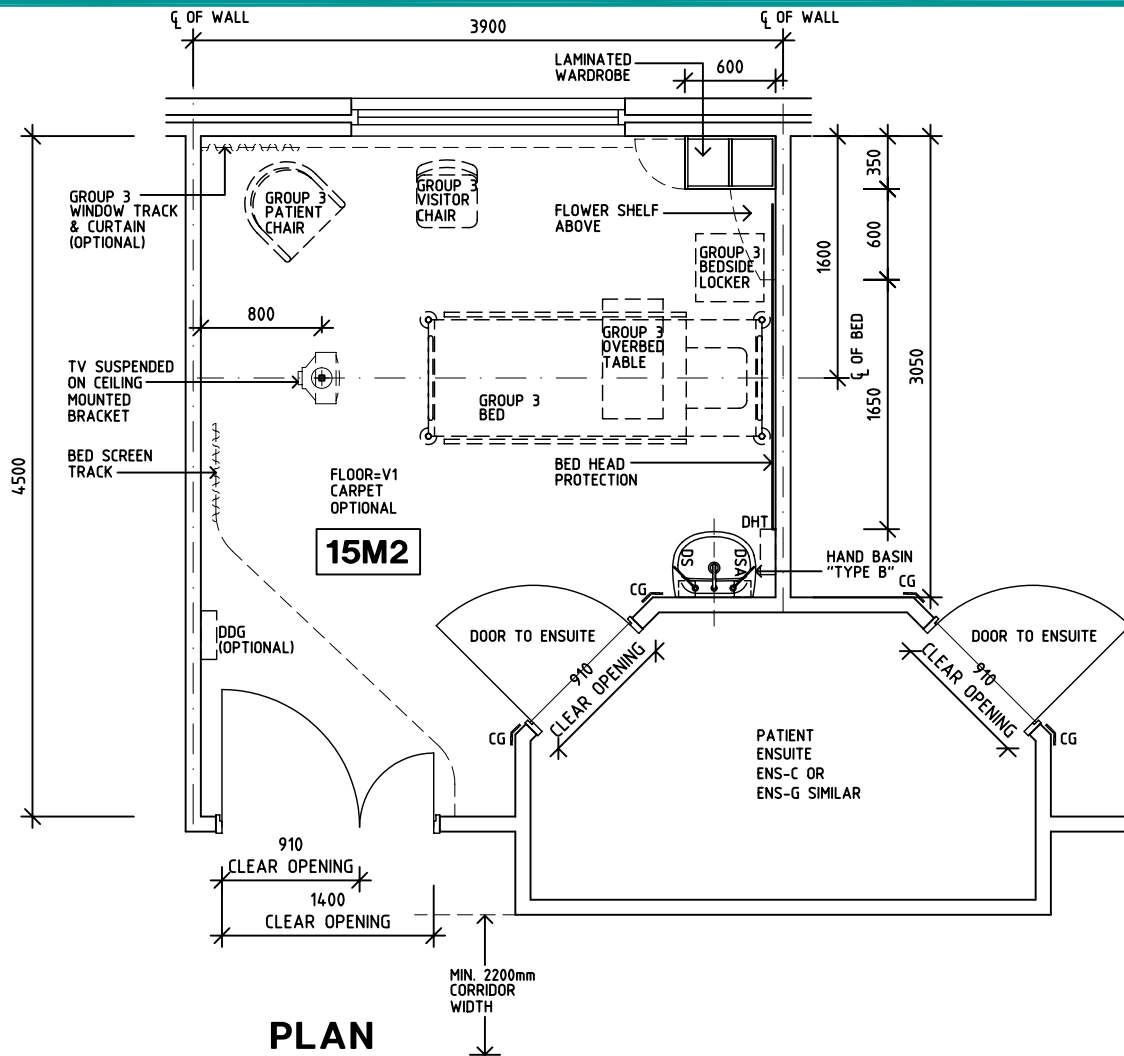
Room Layout Sheet

Room Name **1 Bed Room - Shared Ensuite**

ID No

1 BR-D

- AS ADJUSTABLE SHELF
- CG CORNER GUARD
- COM/2 COMMUNICATION OUTLET - DOUBLE
- DDG DISPENSER - DISPOSABLE GLOVES
- DP DOOR AND DOOR FRAME PROTECTION
- EC EMERGENCY CALL
- FS FIXED SHELF
- GPO/1 GENERAL PURPOSE OUTLET-SINGLE
- GPO/1EP EMERGENCY POWER - SINGLE
- GPO/C GENERAL PURPOSE OUTLET - CLEANER'S
- LS/B LIGHT SWITCH - BED
- LS/ENS LIGHT SWITCH - ENSUITE
- LS/R LIGHT SWITCH - ROOM
- LS/UDL LIGHT SWITCH - UP-DOWN LIGHT
- MA MEDICAL AIR
- NA NURSE ASSIST
- NC NURSE CALL
- O2 OXYGEN
- RCD RESIDUAL CURRENT DEVICE
- S SUCTION
- SK4 FLOOR VINYL COVERED SKIRTING
- V1 VINYL FLOORING, STANDARD



Rev	Revision Description	Date	Rev	Revision Description	Date	Rev	Revision Description	Date
1	FIRST ISSUE	15.9.04						
2	DRAWING REVISED	7.10.04						
3	DRAWING REVISED	21.10.04						

HPI	HEALTH PROJECTS INTERNATIONAL (c) Ground Floor, Suite 1, 68 Alfred Street, Milsons Point NSW 2061 Ph: (02)9460 4199 www.hpi.net.au ACN: 066 856 595	DHS The Department of Human Services, Victoria Design guidelines for hospitals and day procedure centres	The Place To Be	Drawn	Checked	Date	Scale	Sheet
				CC	DB	21.10.04	1:50 in A3	1 of 1
				CAD File		Drawing No.		Issue
				1 BR-D		1 BR-D		3