

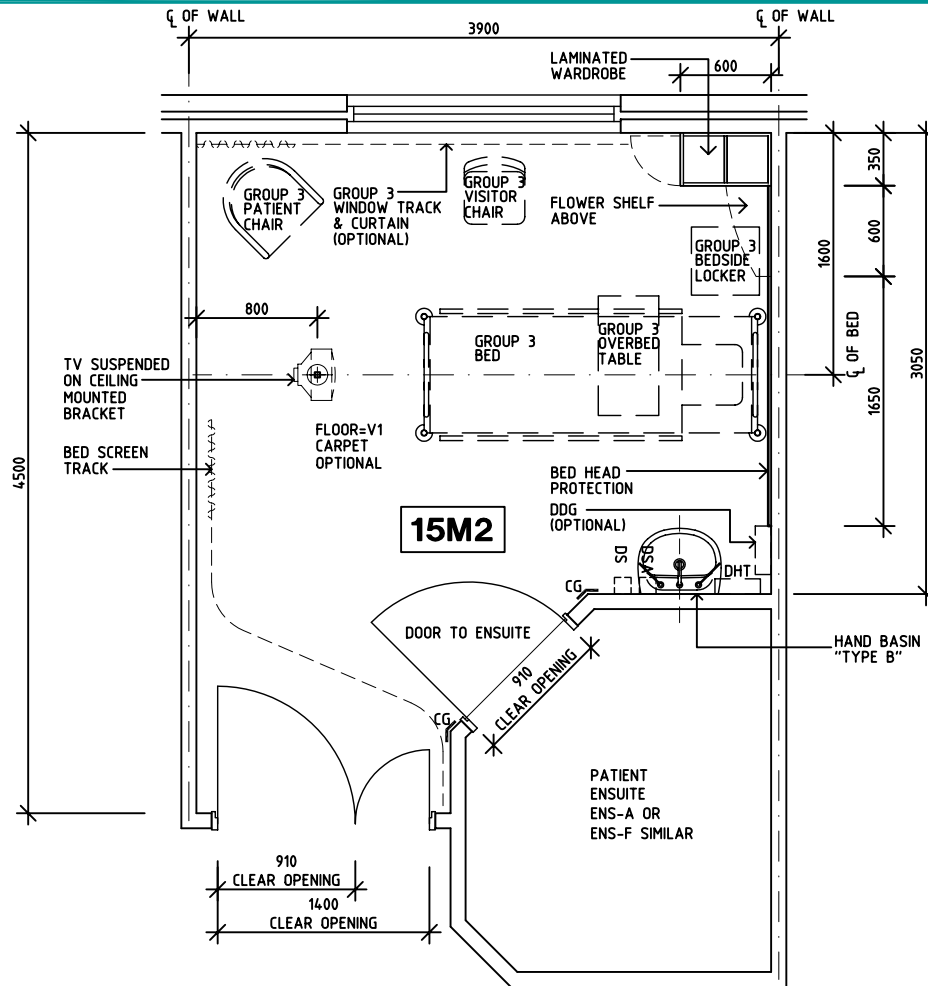
DGHDP STANDARD COMPONENTS

Room Layout Sheet

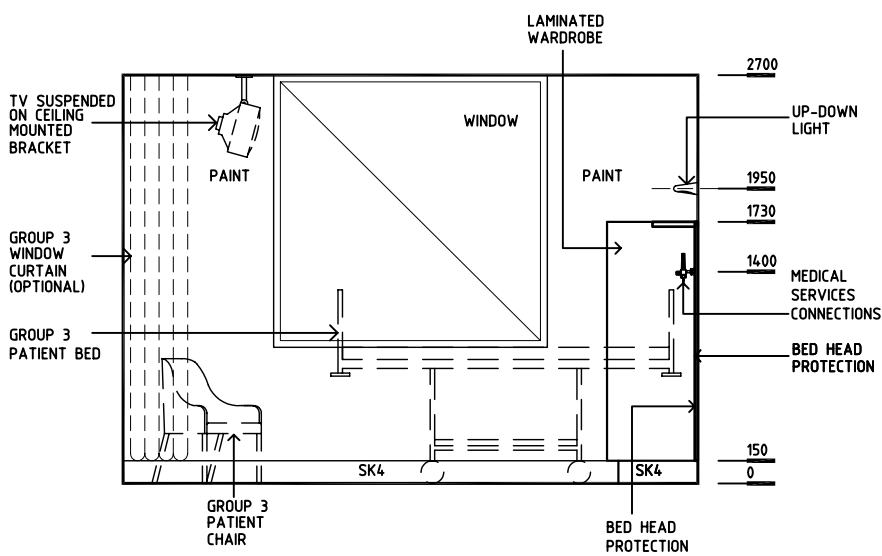
Room Name **1 Bed Room - Inboard Ensuite**

ID No **1 BR-A**

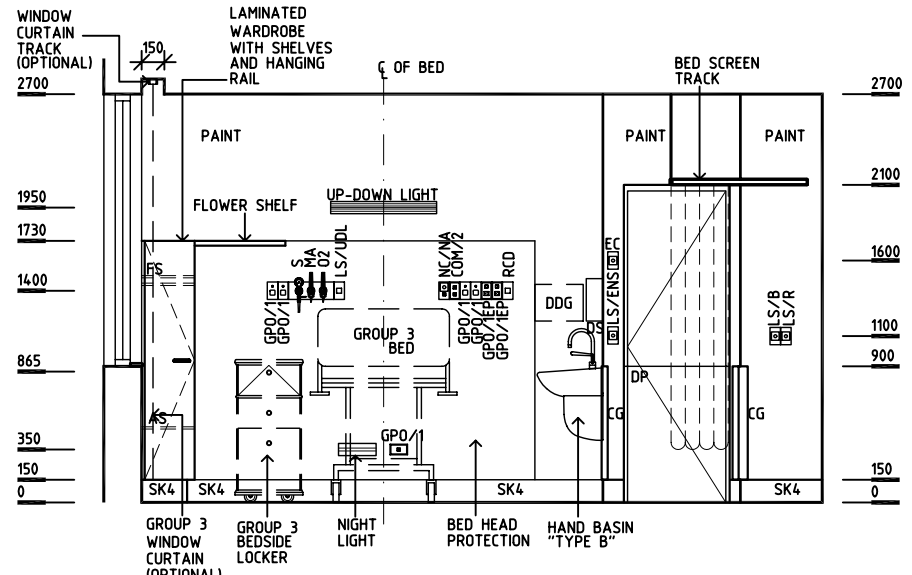
- AS ADJUSTABLE SHELF
- CG CORNER GUARD
- COM/2 COMMUNICATION OUTLET - DOUBLE
- DDG DISPENSER - DISPOSABLE GLOVES
- DP DOOR AND DOOR FRAME PROTECTION
- EC EMERGENCY CALL
- FS FIXED SHELF
- GPO/1 GENERAL PURPOSE OUTLET-SINGLE
- GPO/1EP EMERGENCY POWER - SINGLE
- GPO/C GENERAL PURPOSE OUTLET-CLEANER'S
- LS/B LIGHT SWITCH - BED
- LS/ENS LIGHT SWITCH - ENSUITE
- LS/R LIGHT SWITCH - ROOM
- LS/UDL LIGHT SWITCH - UP-DOWN LIGHT
- MA MEDICAL AIR
- NA NURSE ASSIST
- NC NURSE CALL
- O2 OXYGEN
- RCD RESIDUAL CURRENT DEVICE
- S SUCTION
- SK4 FLOOR VINYL COVERED SKIRTING
- V1 VINYL FLOORING, STANDARD



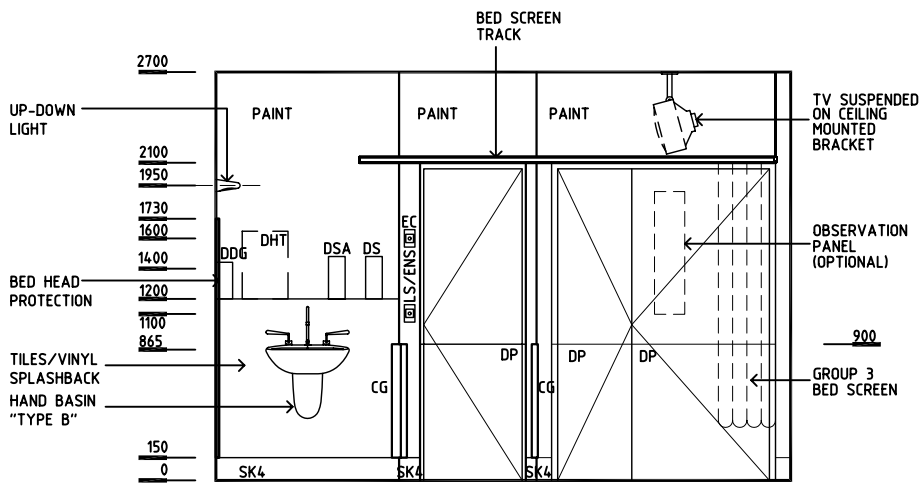
PLAN



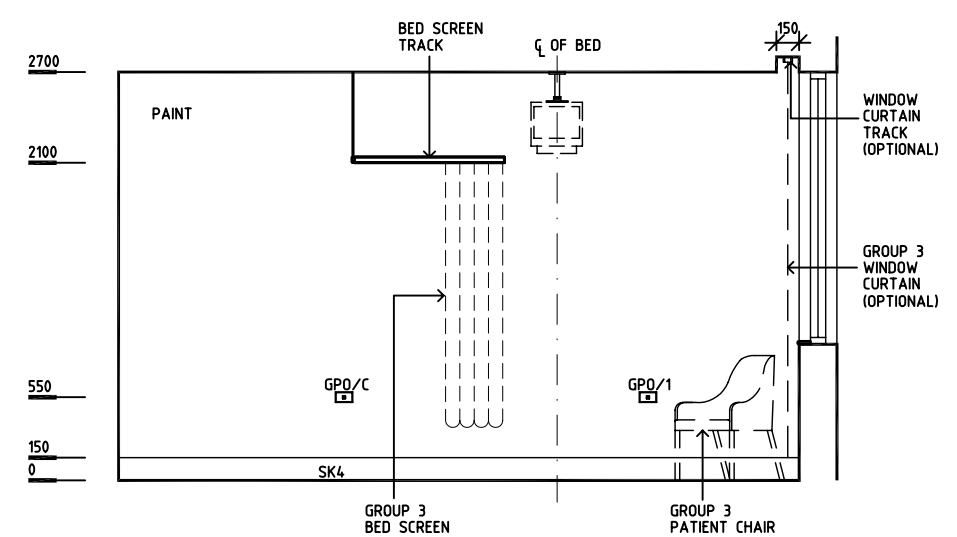
ELEVATION 1



ELEVATION 2



ELEVATION 3



ELEVATION 4

Rev	Revision Description	Date	Rev	Revision Description	Date	Rev	Revision Description	Date
1	FIRST ISSUE	15.9.04						
2	DRAWING REVISED	7.10.04						
3	DRAWING REVISED	21.10.04						