

DGHDP STANDARD COMPONENTS

Room Layout Sheet

Room Name **1 Bed Bay - Critical Care**

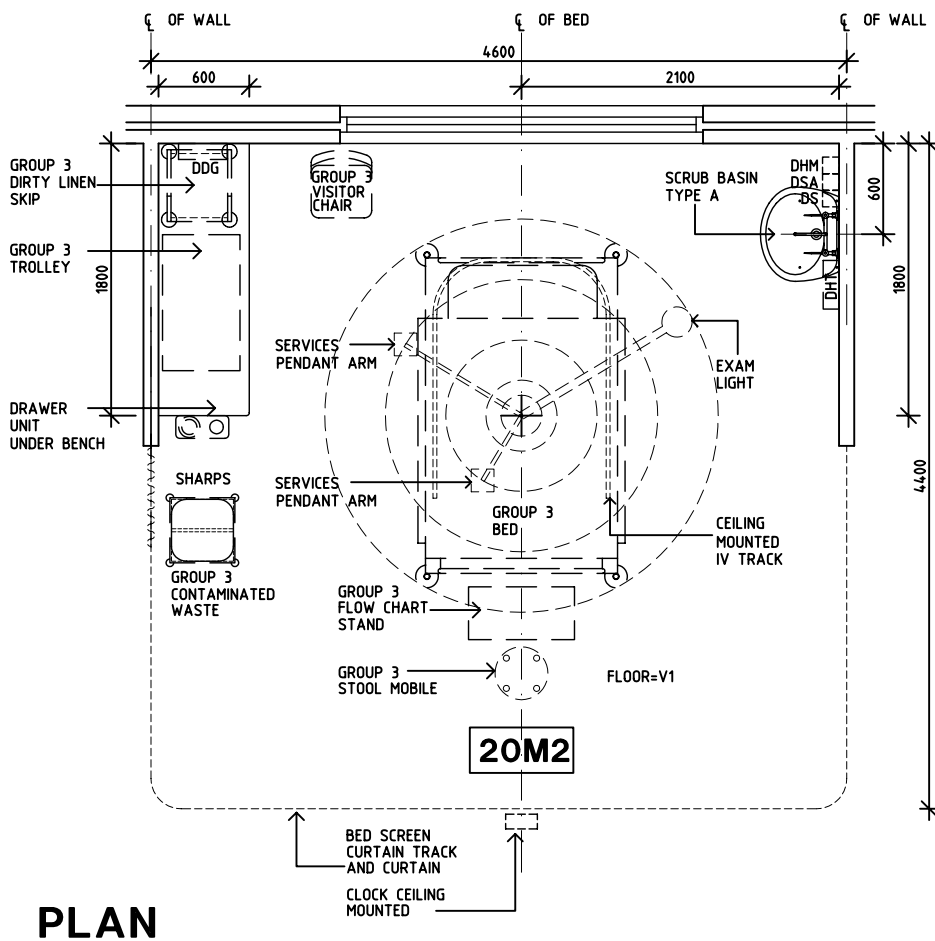
ID No **1 BB-CC**

AS
COM/2
CG
DDG
DHT
DHM
DSA
DS
EC
EL
GPO/1
GPO/1 EP
GPO/2
GPO/C
NC
NA
RCD
SK4
SG
SS
V1
WT

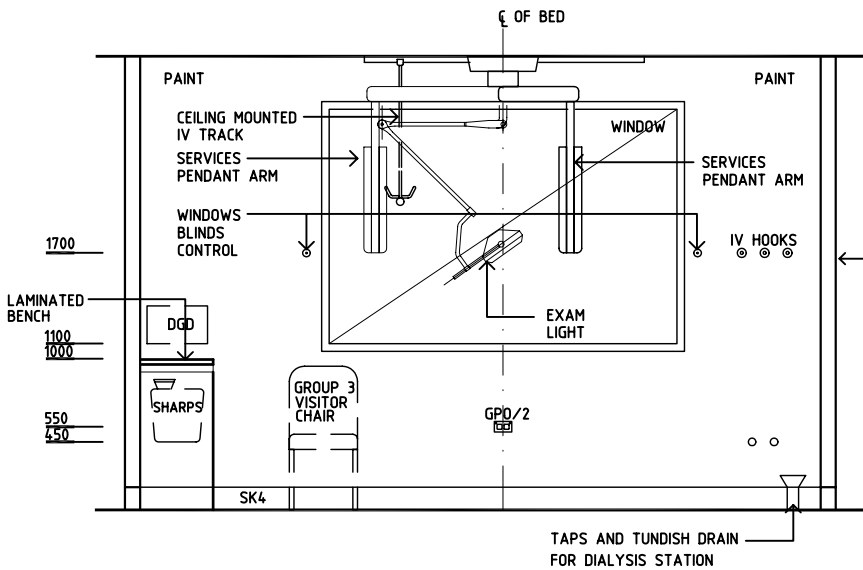
ADJUSTABLE SHELF
COMMUNICATION OUTLET - DOUBLE
CORNER GUARDS
DISPENSER - DISPOSABLE GLOVES
DISPENSER - HAND TOWEL
DISPENSER - HAND MOISTURIZER
DISPENSER - SOAP ANTISEPTIC
DISPENSER - SOAP
EMERGENCY CALL
EXAMINATION LIGHT
GENERAL PURPOSE OUTLET - SINGLE
EMERGENCY POWER - SINGLE
GENERAL PURPOSE OUTLET - DOUBLE
GENERAL PURPOSE OUTLET - CLEANER'S
NURSE CALL
NURSE ASSIST
RESIDUAL CURRENT DEVICE
SKIRTING TYPE 4
SAFETY GLASS
STAINLESS STEEL
VINYL FLOORING STANDARD
WALL TELEPHONE

SERVICE PENDANTS:

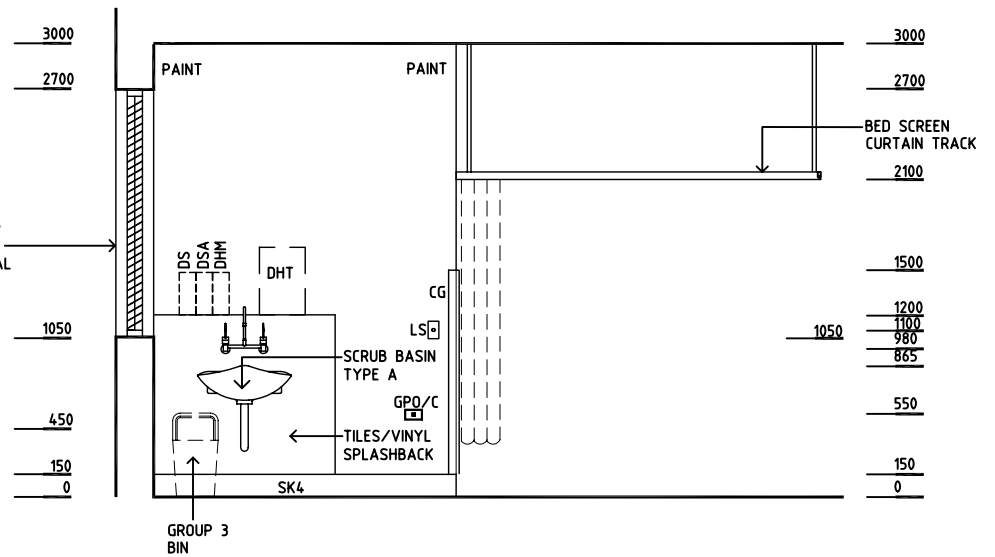
- 1 x EMERGENCY CALL
- 1 x NURSE ASSIST
- 1 x NURSE CALL & HANDSET
- 12 x GPO/1
- 12 x GPO/1 EP
- 4 x OXYGEN
- 2 x MEDICAL AIR
- 4 x SUCTION
- 1 x SCAVENGE (OPTIONAL)
- 1 x MONITOR CONNECTION
- 1 x DATA POINT, DOUBLE



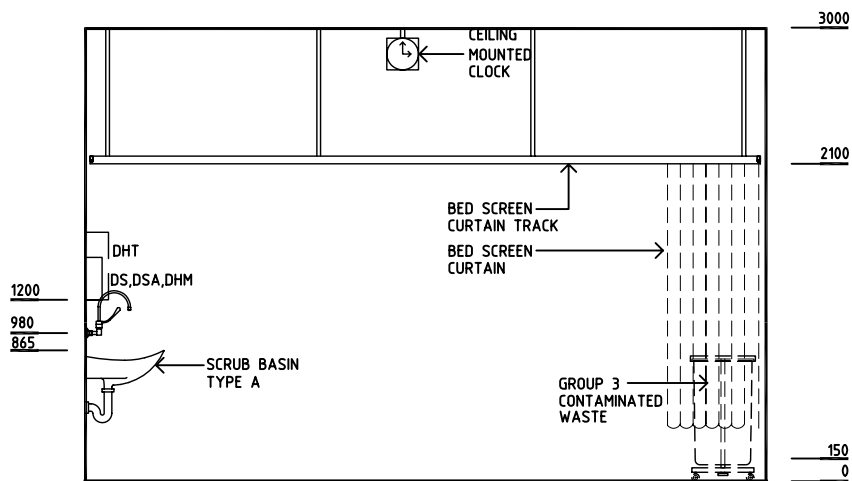
PLAN



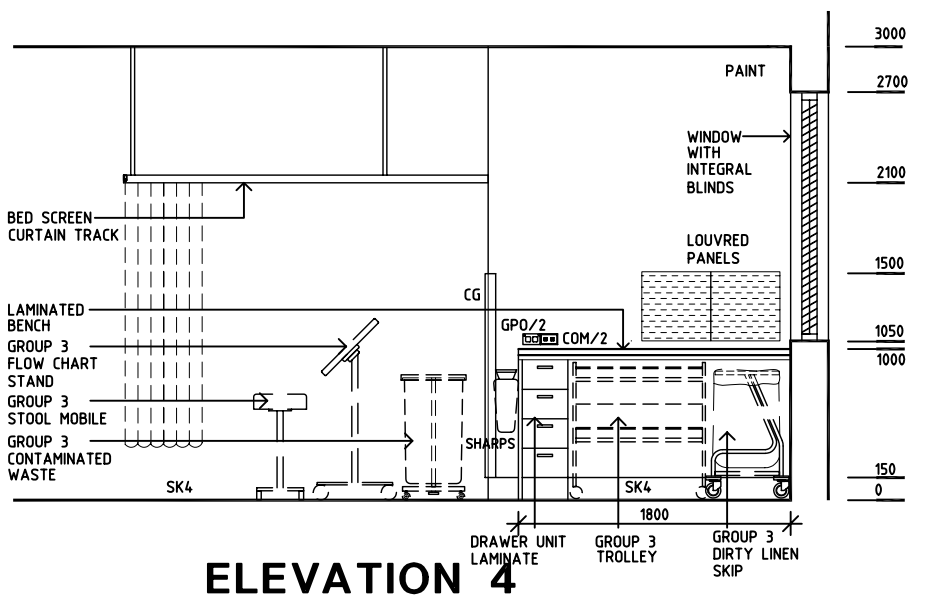
ELEVATION 1



ELEVATION 2



ELEVATION 3



ELEVATION 4

Rev	Revision Description	Date	Rev	Revision Description	Date	Rev	Revision Description	Date
1	FIRST ISSUE	21.9.04						
2	DRAWING REVISED	21.10.04						