

SHARJAH HEALTHCARE CITY STANDARD COMPONENTS

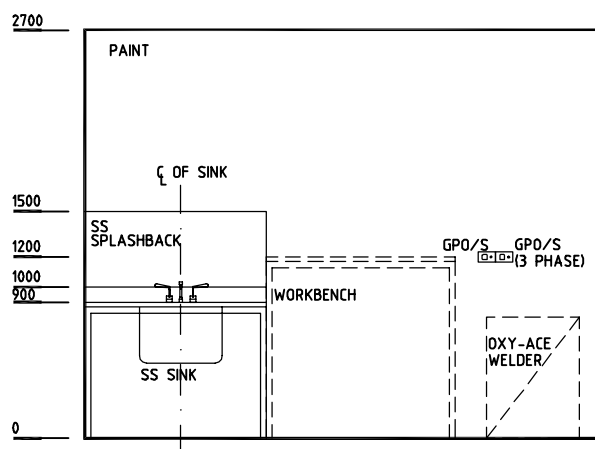
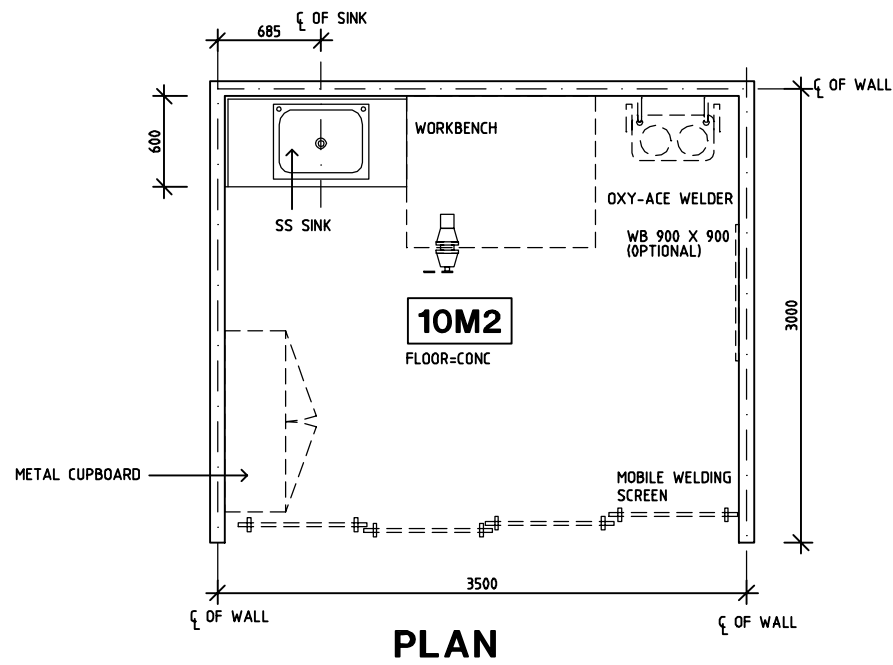
Room Layout Sheet

Room Name **Welding Booth**

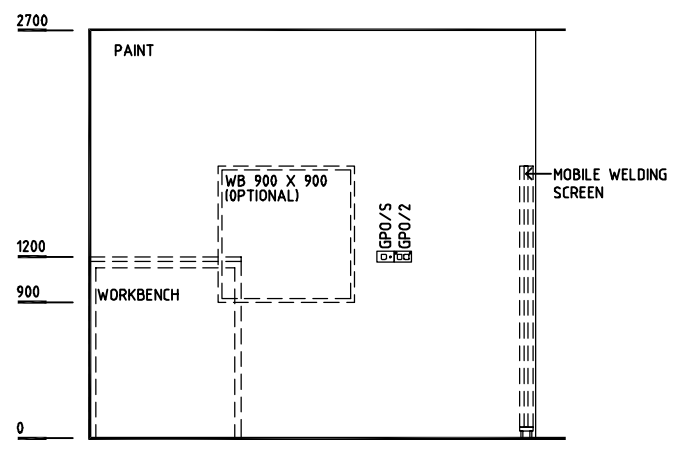
RLS Room Code **WLB-SJ**

RDS Room Code **WLB-SJ**

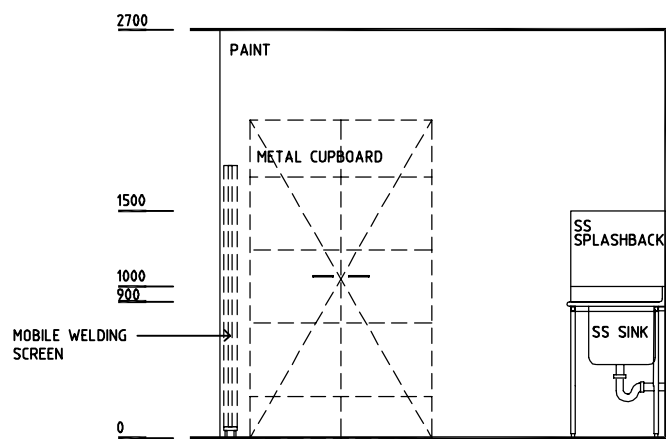
CONC CONCRETE TROWEL FINISH
 GPO/2 GENERAL POWER OUTLET - DOUBLE
 GPO/S GENERAL POWER OUTLET - SPECIAL SINGLE
 LS/R LIGHT SWITCH - ROOM
 SS STAINLESS STEEL
 WB WHITEBOARD



ELEVATION 1



ELEVATION 2



ELEVATION 3

REV	DESCRIPTION	DATE	BY	REV	DESCRIPTION	DATE	BY	REV	DESCRIPTION	DATE	BY
1	FIRST ISSUE	14.03.2014	AA								

	DESIGNED	APPROVED	DATE	SCALE(S)	SHEET
	CC	DB	30.12.13	1:50 in A3	1 of 1
	CAD FILE NAME		PAPER DRAWING ID		ISSUE
WLB-SJ		WLB-SJ		1	

Sharjah Health Facility Guidelines at:
www.healthdesign.com.au/shcc/hfg
 Editable version of Standard Components on
 Health Facility Briefing System (HFBS) at:
www.healthdesign.com.au
 Provided by TAHPI