

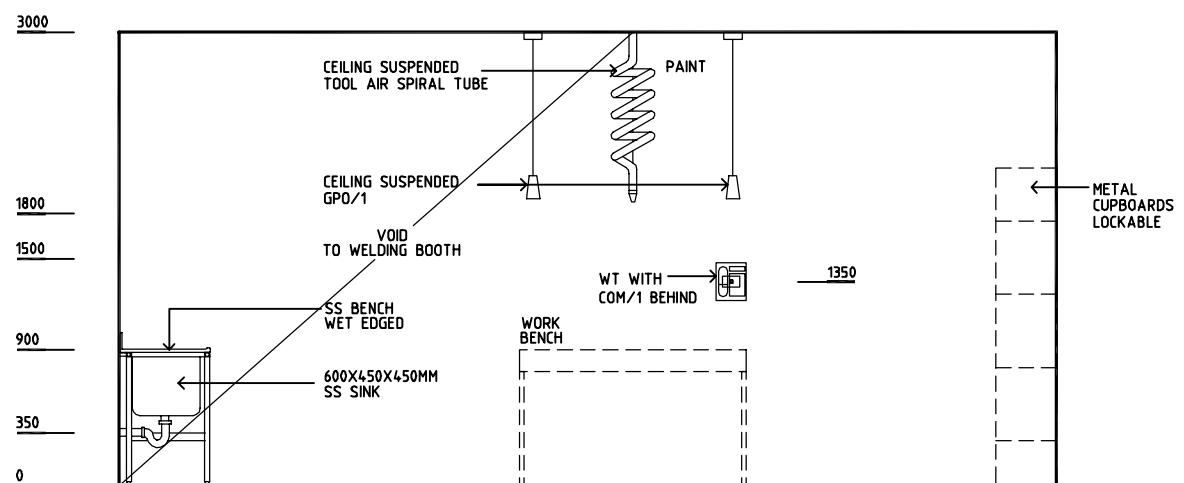
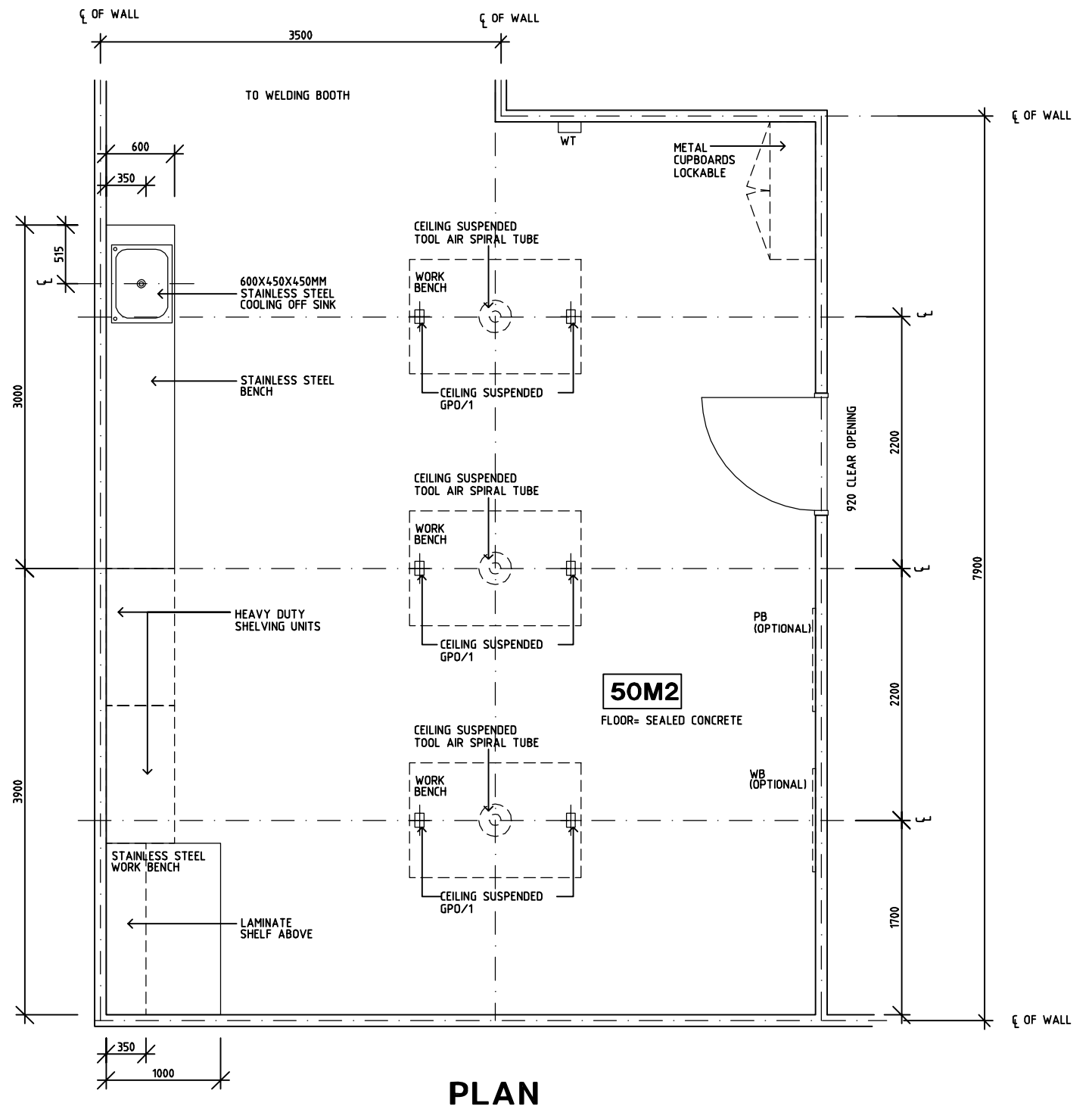
SHARJAH HEALTHCARE CITY STANDARD COMPONENTS

Room Layout Sheet

Room Name **Workshop - Filters/Plumbers**

RLS Room Code **WK-FP-SJ**
RDS Room Code **WK-FP-SJ**

- COM/1 COMMUNICATION OUTLET-SINGLE
- COM/2 COMMUNICATION OUTLET-DOUBLE
- GPO/1 GENERAL POWER OUTLET - SINGLE
- GPO/2 GENERAL POWER OUTLET - DOUBLE
- GPO/5 GENERAL POWER OUTLET - SPECIAL
- LS/R LIGHT SWITCH - ROOM
- PB PINBOARD
- SS STAINLESS STEEL
- WB WHITEBOARD
- WT WALL TELEPHONE



REV	DESCRIPTION	DATE	BY	REV	DESCRIPTION	DATE	BY	REV	DESCRIPTION	DATE	BY
1	FIRST ISSUE	14.03.2014	AA								



Sharjah Health Facility Guidelines at:
www.healthdesign.com.au/shcc/hfg
Editable version of Standard Components on
Health Facility Briefing System (HFBS) at:
www.healthdesign.com.au
Provided by TAHPI

DESIGNED	APPROVED	DATE	SCALE(S)	SHEET
CC	DB	30.12.13	1:50 in A3	1 of 2
CAD FILE NAME		PAPER DRAWING ID		ISSUE
WK-FP-SJ		WK-FP-SJa		1

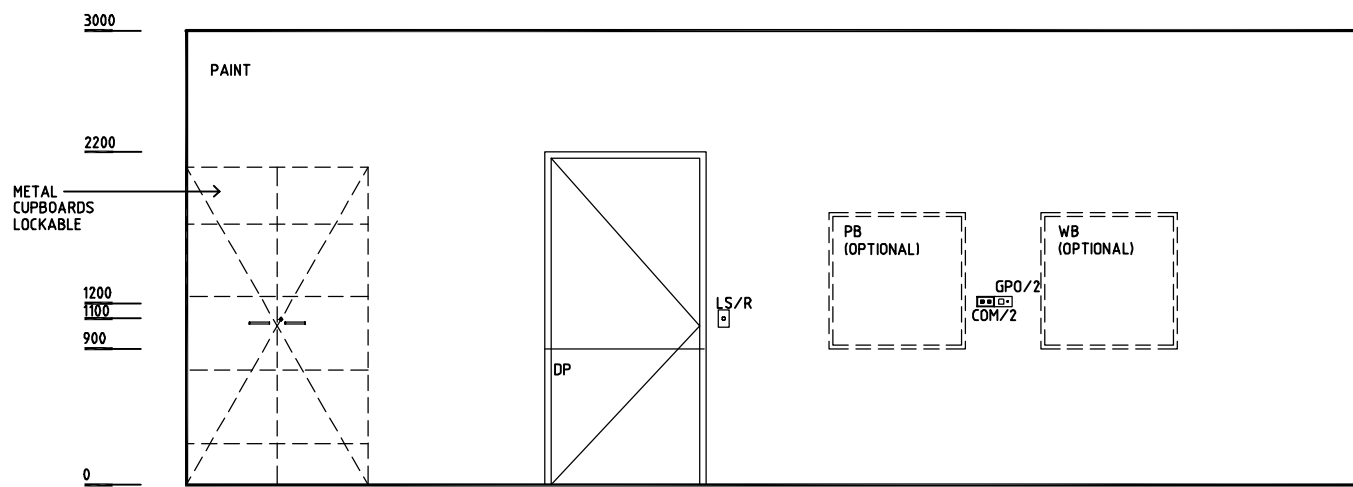
SHARJAH HEALTHCARE CITY STANDARD COMPONENTS

Room Layout Sheet

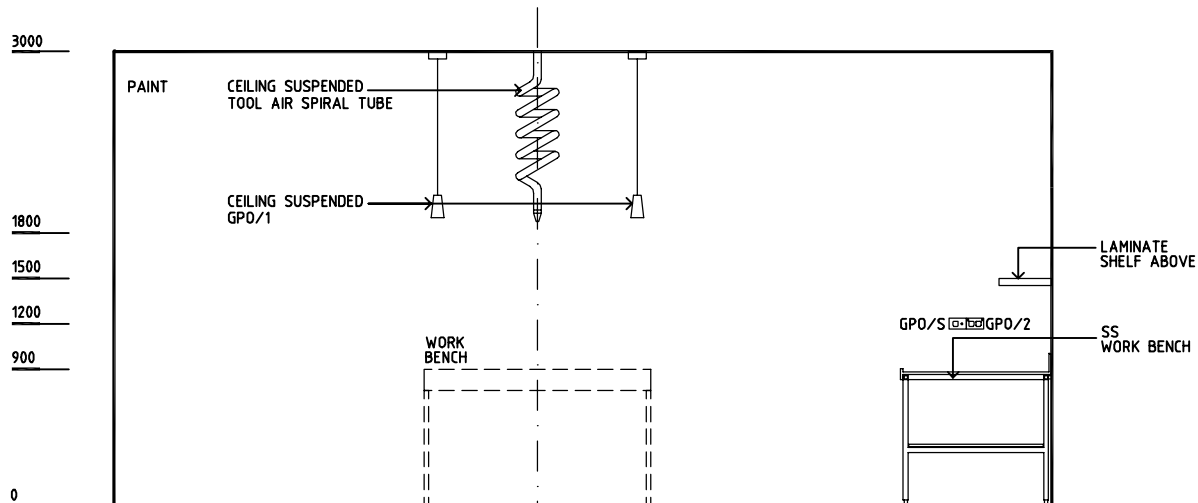
Room Name **Workshop - Filters/Plumbers**

RLS Room Code **WK-FP-SJ**
RDS Room Code **WK-FP-SJ**

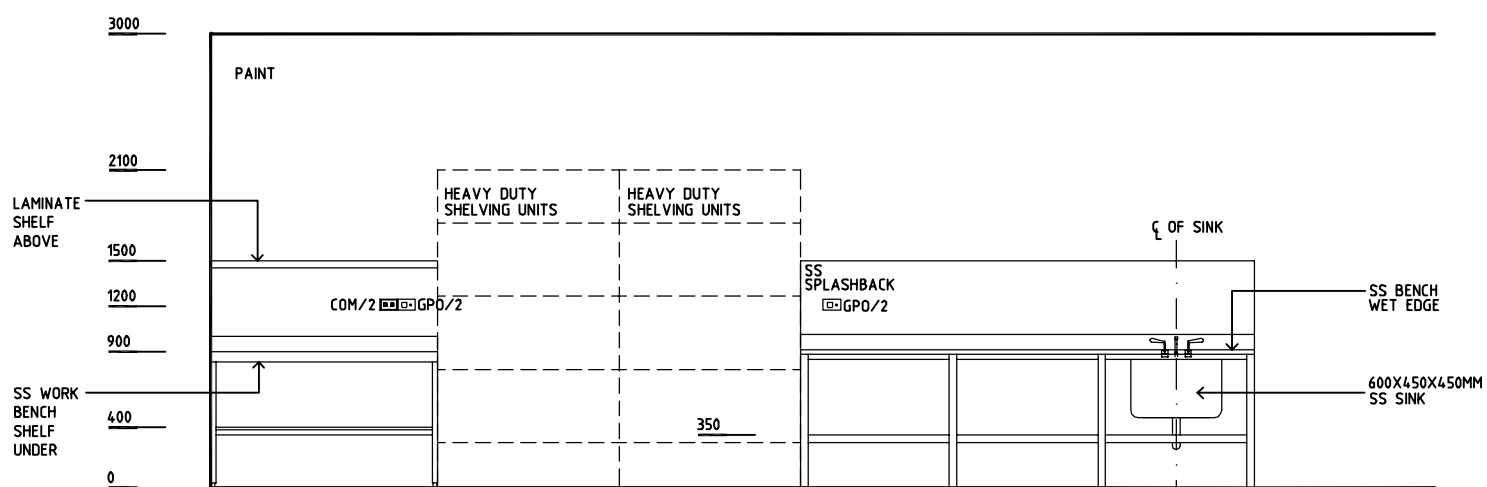
COM/1	COMMUNICATION OUTLET-SINGLE
COM/2	COMMUNICATION OUTLET-DOUBLE
GPO/1	GENERAL POWER OUTLET - SINGLE
GPO/2	GENERAL POWER OUTLET - DOUBLE
GPO/S	GENERAL POWER OUTLET - SPECIAL
LS/R	LIGHT SWITCH - ROOM
PB	PINBOARD
SS	STAINLESS STEEL
WB	WHITEBOARD
WT	WALL TELEPHONE



ELEVATION 2



ELEVATION 3



ELEVATION 4

REV	DESCRIPTION	DATE	BY	REV	DESCRIPTION	DATE	BY	REV	DESCRIPTION	DATE	BY
1	FIRST ISSUE	14.03.2014	AA								

	<p>Sharjah Health Facility Guidelines at: www.healthdesign.com.au/shcc/hfg Editable version of Standard Components on Health Facility Briefing System (HFBS) at: www.healthdesign.com.au Provided by TAHPI</p>	DESIGNED	APPROVED	DATE	SCALE(S)	SHEET
		CC	DB	30.12.13	1:50 in A3	2 of 2
	CAD FILE NAME	PAPER DRAWING ID		ISSUE		
WK-FP-SJ	WK-FP-SJb		1			

This document is for advisory purpose only