

# SHARJAH HEALTHCARE CITY STANDARD COMPONENTS

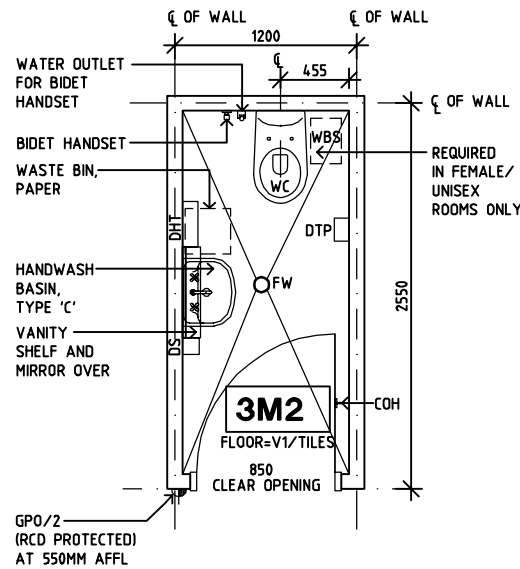
Room Layout Sheet

Room Name **Toilet - Public, 3m2**

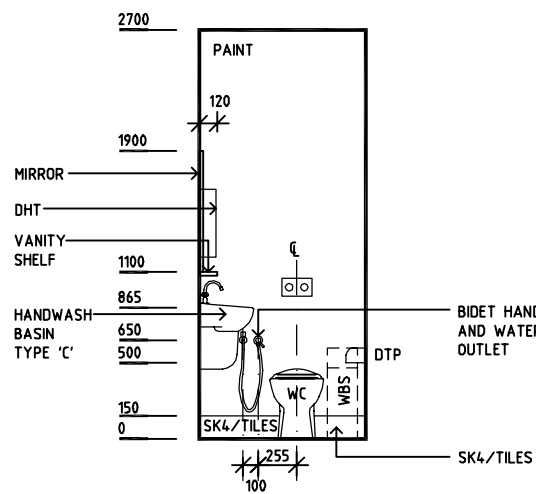
RLS Room Code **WCPU-3-SJ**

RDS Room Code **WCPU-3-SJ**

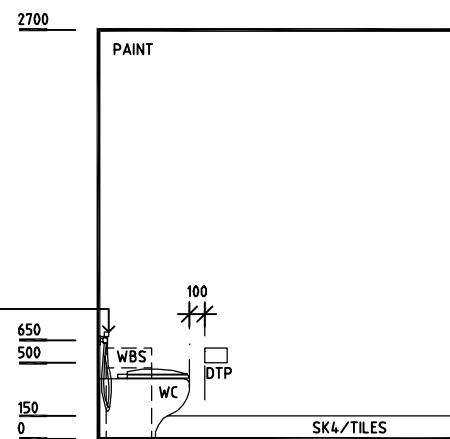
- COH COAT HOOK
- DHT DISPENSER - HAND TOWEL
- DS DISPENSER - SOAP
- DTP DISPENSER - TOILET PAPER
- FW FLOOR WASTE
- GP0/1 GENERAL POWER OUTLET - SINGLE
- GP0/2 GENERAL POWER OUTLET - DOUBLE
- LS/R LIGHT SWITCH - ROOM
- RCD RESIDUAL CURRENT DEVICE
- SK4 FLOOR VINYL COVED SKIRTING
- V1 FLOOR VINYL, STANDARD SLIP RESISTANT
- WBS WASTE BIN, SANITARY
- WC WATER CLOSET



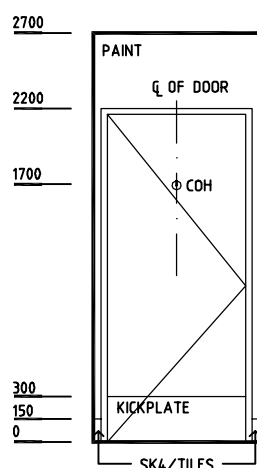
**PLAN**



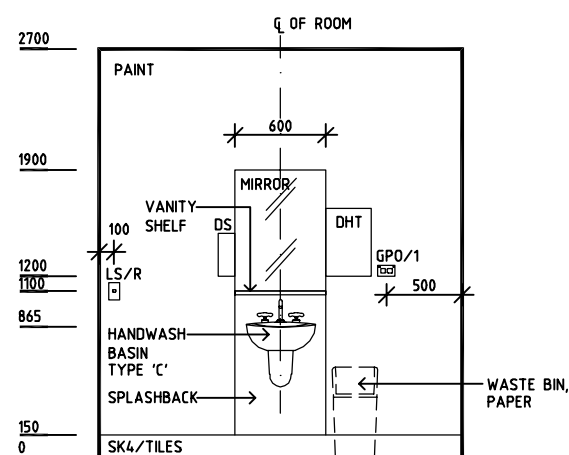
**ELEVATION 1**



**ELEVATION 2**



**ELEVATION 3**



**ELEVATION 4**

REV	DESCRIPTION	DATE	BY	REV	DESCRIPTION	DATE	BY	REV	DESCRIPTION	DATE	BY
1	FIRST ISSUE	14.03.2014	AA								

	DESIGNED	APPROVED	DATE	SCALE(S)	SHEET
	CC	DB	30.12.13	1:50 in A3	1 of 1
	CAD FILE NAME		PAPER DRAWING ID		ISSUE
WCPU-3-SJ		WCPU-3-SJ		1	

Sharjah Health Facility Guidelines at:  
[www.healthdesign.com.au/shcc/hfg](http://www.healthdesign.com.au/shcc/hfg)  
 Editable version of Standard Components on  
 Health Facility Briefing System (HFBS) at:  
[www.healthdesign.com.au](http://www.healthdesign.com.au)  
 Provided by TAHPI

This document is for advisory purpose only