

SHARJAH HEALTHCARE CITY STANDARD COMPONENTS

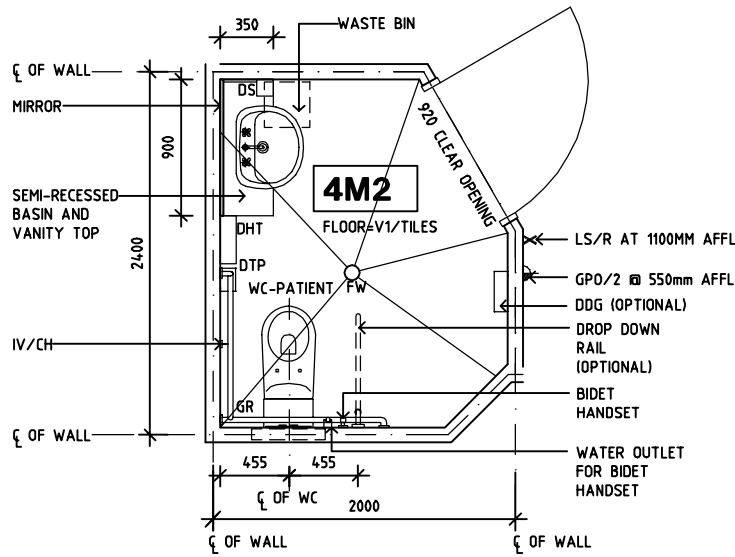
Room Layout Sheet

Room Name **Toilet - Patient**

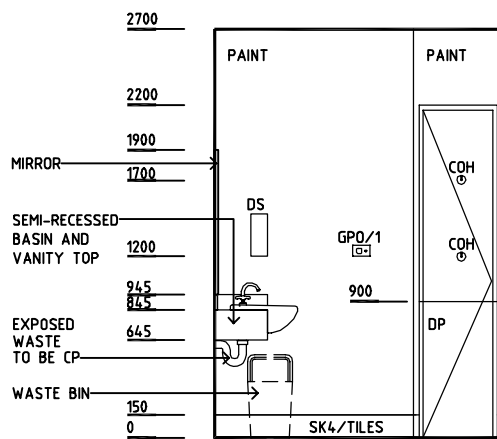
RLS Room Code **WCPT-SJ**

RDS Room Code **WCPT-SJ**

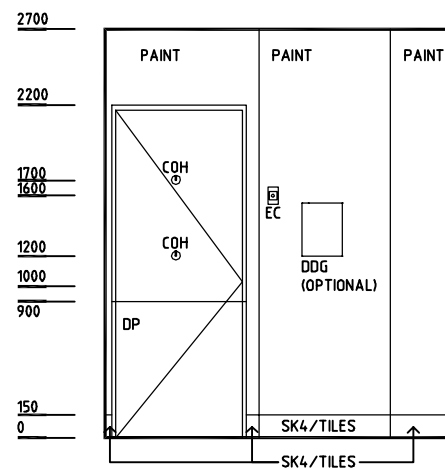
- CH CATHETER HOOK
- COH COAT HOOK
- CP CHROME PLATED
- DDG DISPENSER - DISPOSABLE GLOVE
- DHT DISPENSER - HAND TOWEL
- DP DOOR AND DOOR FRAME PROTECTION
- DS DISPENSER - SOAP
- DTP DISPENSER - TOILET PAPER
- EC EMERGENCY CALL
- FW FLOOR WASTE
- GP0/1 GENERAL POWER OUTLET - SINGLE
- GP0/2 GENERAL POWER OUTLET - DOUBLE
- GR GRAB RAIL
- IV IV HOOK
- LS/R LIGHT SWITCH-ROOM
- NA NURSE ASSIST CALL
- NC PATIENT/NURSE CALL
- SK4 VINYL COVED FLOOR SKIRTING
- V1 FLOOR VINYL, STANDARD
- WC WATER CLOSET



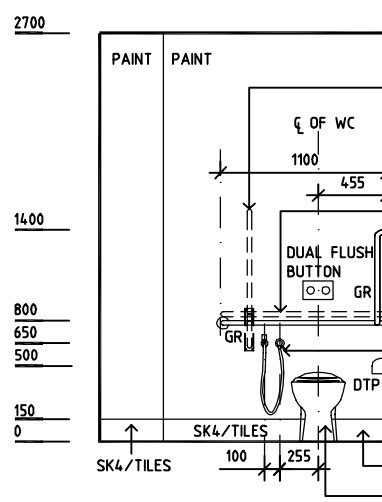
PLAN



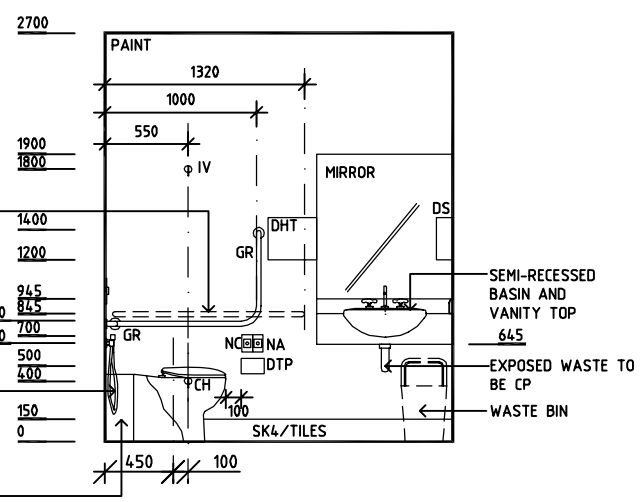
ELEVATION 1



ELEVATION 2



ELEVATION 3



ELEVATION 4

REV	DESCRIPTION	DATE	BY	REV	DESCRIPTION	DATE	BY	REV	DESCRIPTION	DATE	BY
1	FIRST ISSUE	14.03.2014	AA								

	DESIGNED	APPROVED	DATE	SCALE(S)	SHEET
	CC	DB	30.12.13	1:50 in A3	1 of 1
	CAD FILE NAME		PAPER DRAWING ID		ISSUE
WCPT-SJ		WCPT-SJ		1	

This document is for advisory purpose only