

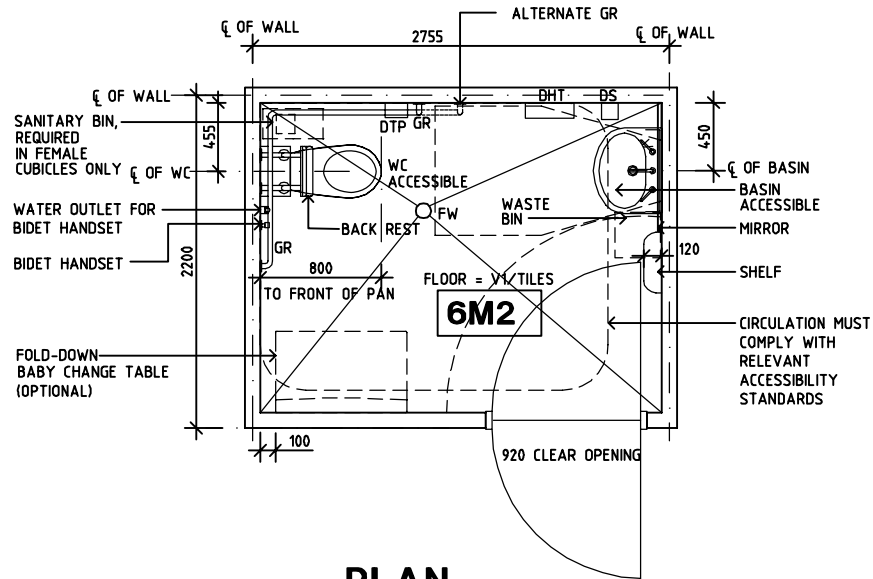
SHARJAH HEALTHCARE CITY STANDARD COMPONENTS

Room Layout Sheet

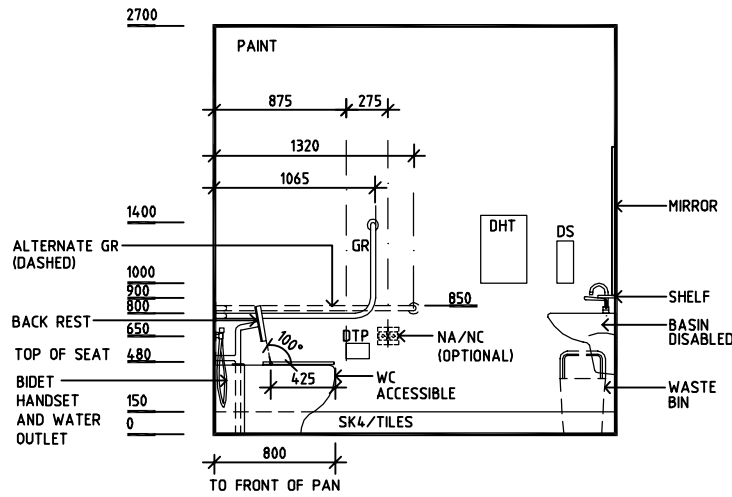
Room Name **Toilet - Accessible**

RLS Room Code **WCAC-SJ**
RDS Room Code **WCAC-SJ**

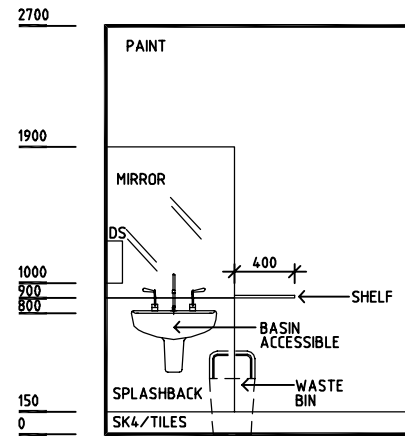
- COH COAT HOOK
- DHT DISPENSER - HAND TOWEL
- DP DOOR AND DOOR FRAME PROTECTION
- DS DISPENSER - SOAP
- DTP DISPENSER - TOILET PAPER
- EC EMERGENCY CALL
- FW FLOOR WASTE
- GPO/2 GENERAL POWER OUTLET - DOUBLE
- GR GRAB RAIL
- LS/R LIGHT SWITCH - ROOM
- NA NURSE ASSIST CALL
- NC PATIENT/NURSE CALL
- SK4 FLOOR VINYL COVERED SKIRTING
- V1 VINYL FLOORING, STANDARD SLIP RESISTANT
- WC WATER CLOSET



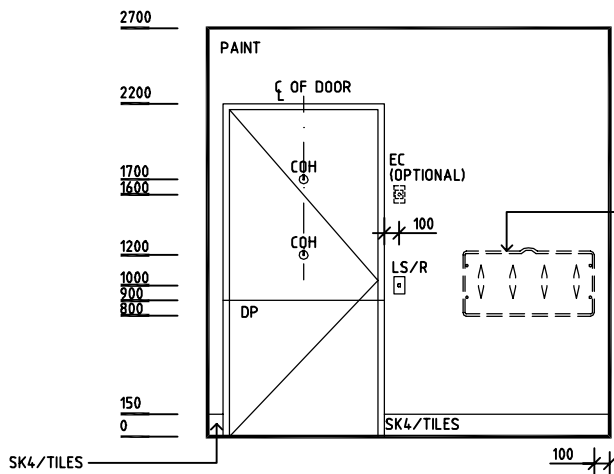
PLAN



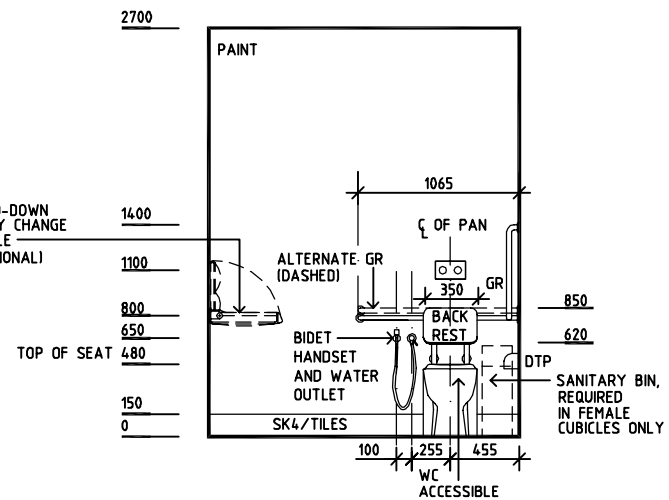
ELEVATION 1



ELEVATION 2



ELEVATION 3



ELEVATION 4

REV	DESCRIPTION	DATE	BY	REV	DESCRIPTION	DATE	BY	REV	DESCRIPTION	DATE	BY
1	FIRST ISSUE	14.03.2014	AA								



Sharjah Health Facility Guidelines at:
www.healthdesign.com.au/shcc/hfg
Editable version of Standard Components on
Health Facility Briefing System (HFBS) at:
www.healthdesign.com.au
Provided by TAHPI

DESIGNED	APPROVED	DATE	SCALE(S)	SHEET
CC	DB	30.12.13	1:50 in A3	1 OF 1
CAD FILE NAME		PAPER DRAWING ID		ISSUE
WCAC-SJ		WCAC-SJ		1

This document is for advisory purpose only