

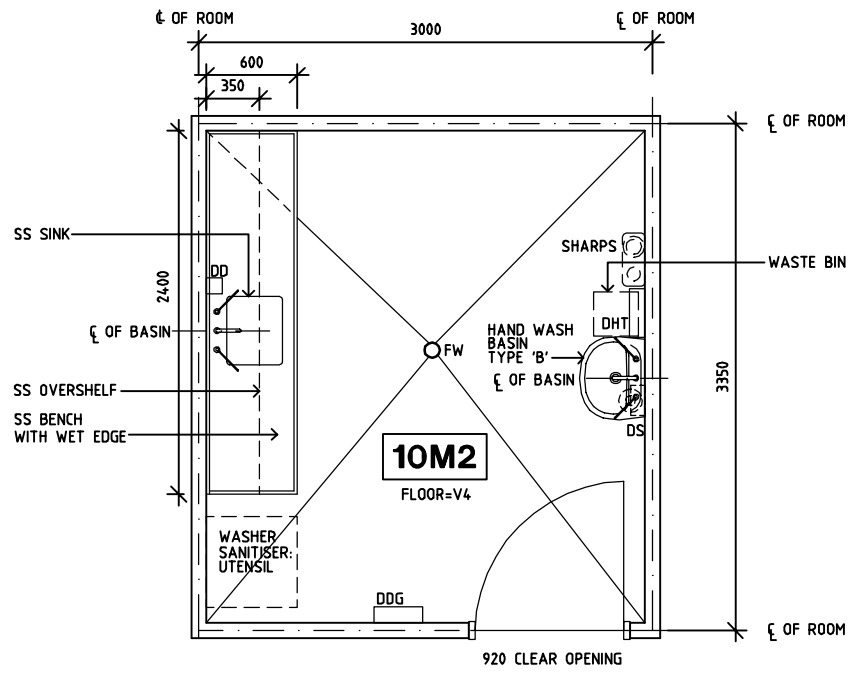
SHARJAH HEALTHCARE CITY STANDARD COMPONENTS

Room Layout Sheet

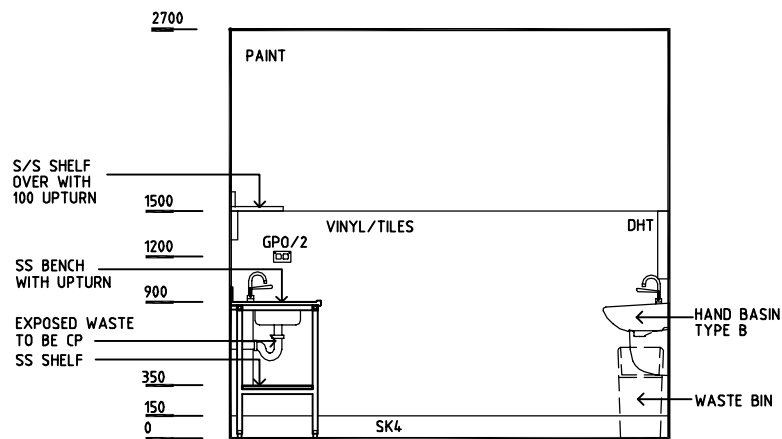
Room Name **Wash-Up Room**

RLS Room Code **WASH-SJ**
RDS Room Code **WASH-SJ**

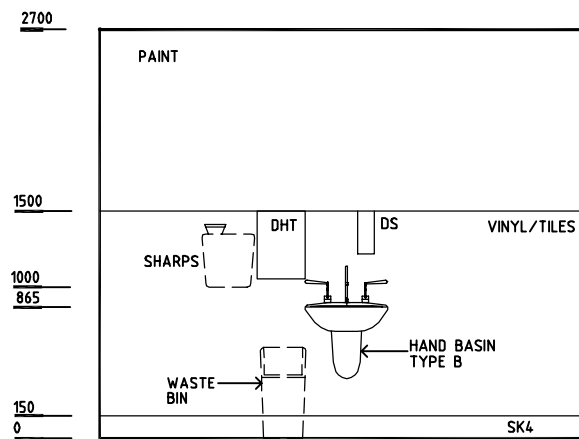
- CP CHROME PLATED
- DD DISPENSER - DETERGENT
- DDG DISPENSER DISPOSABLE GLOVE
- DHT DISPENSER HAND TOWEL
- DS DISPENSER SOAP
- DP DOOR AND DOOR FRAME PROTECTION
- FW FLOOR WASTE
- GPO/2 GENERAL POWER OUTLET - DOUBLE
- GPO/S GENERAL POWER OUTLET - SPECIAL
- LS/R LIGHT SWITCH - ROOM
- OP OBSERVATION PANEL
- SS STAINLESS STEEL
- SK4 FLOOR VINYL COVERED SKIRTING
- V4 VINYL FLOORING NON SLIP SAFETY



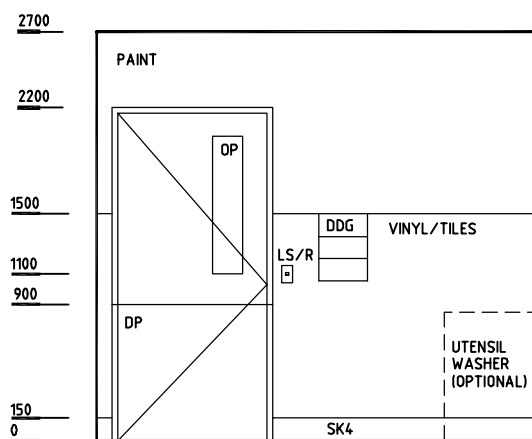
PLAN



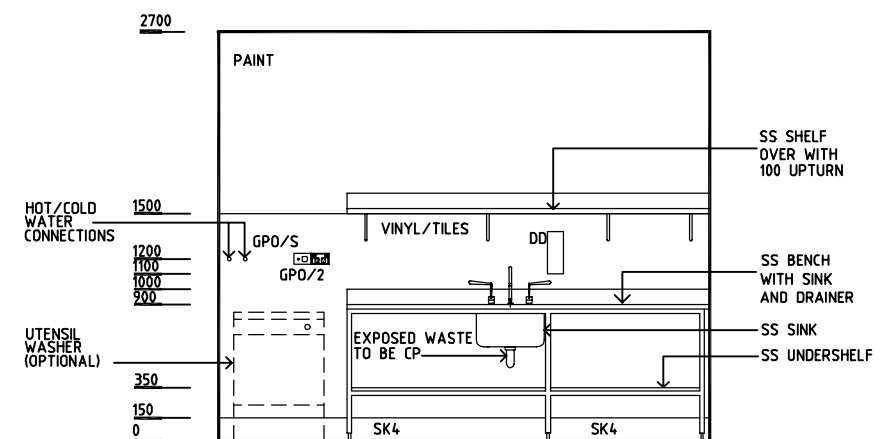
ELEVATION 1



ELEVATION 2



ELEVATION 3



ELEVATION 4

REV	DESCRIPTION	DATE	BY	REV	DESCRIPTION	DATE	BY	REV	DESCRIPTION	DATE	BY
1	FIRST ISSUE	14.03.2014	AA								



Sharjah Health Facility Guidelines at:
www.healthdesign.com.au/shcc/hfg
Editable version of Standard Components on
Health Facility Briefing System (HFBS) at:
www.healthdesign.com.au
Provided by TAHPI

DESIGNED	APPROVED	DATE	SCALE(S)	SHEET
CC	DB	30.12.13	1:50 in A3	1 of 1
CAD FILE NAME		PAPER DRAWING ID		ISSUE
WASH-SJ		WASH-SJ		1

This document is for advisory purpose only