

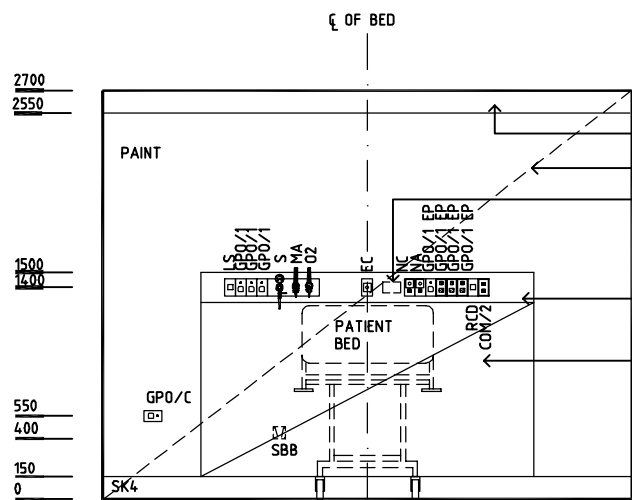
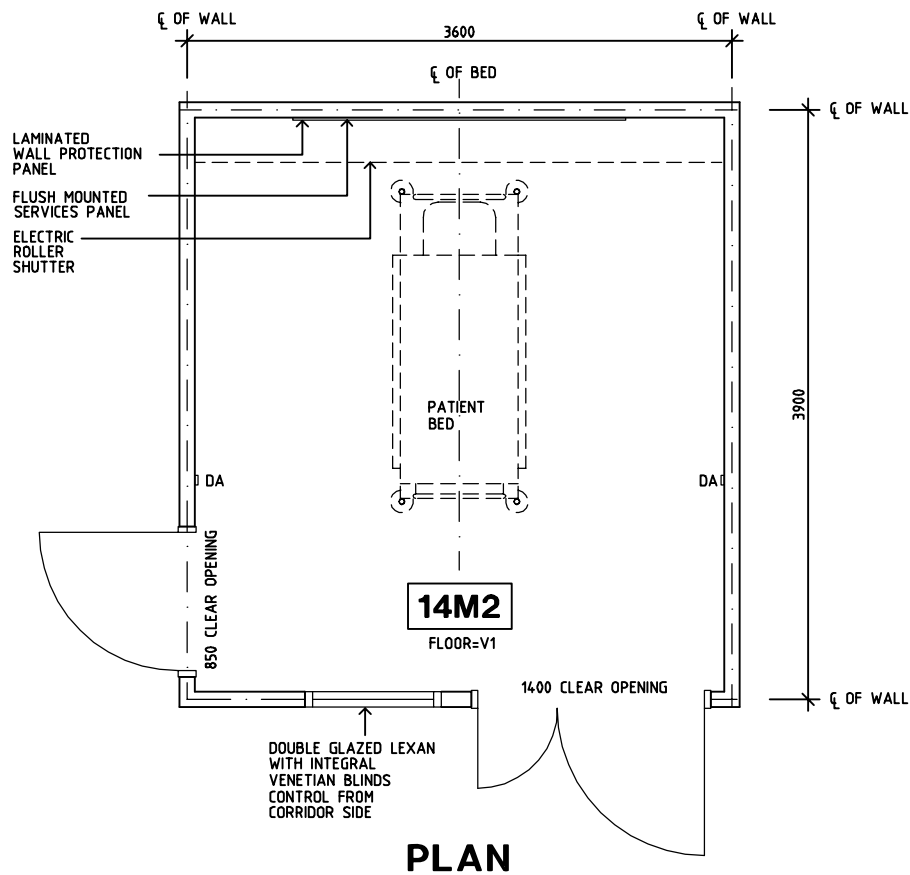
SHARJAH HEALTHCARE CITY STANDARD COMPONENTS

Room Layout Sheet

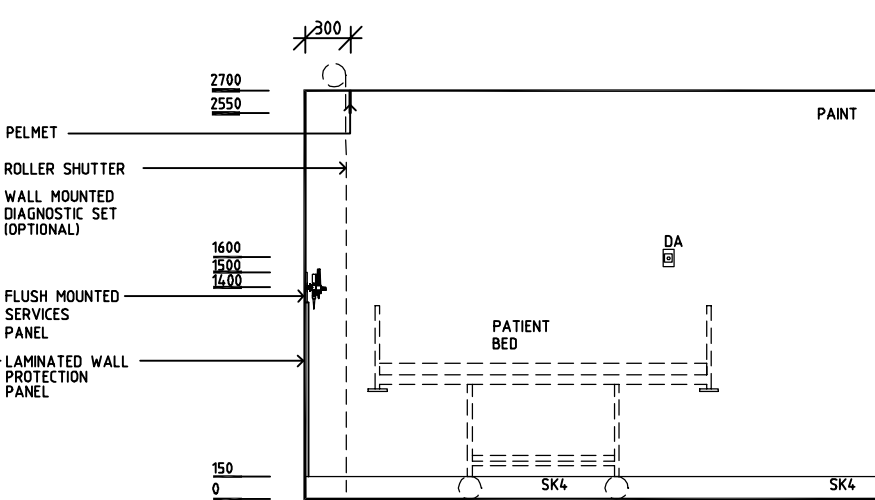
Room Name **Treatment Room - Secure Assessment**

RLS Room Code **TRSA-SJ**
RDS Room Code **TRSA-SJ**

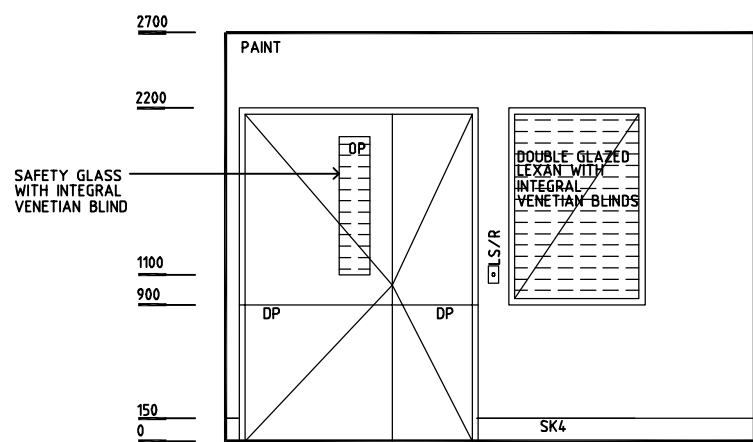
- COM/2 COMMUNICATION OUTLET - DOUBLE
- DA DURESS ALARM
- DP DOOR AND FRAME PROTECTION
- EC EMERGENCY CALL
- GPO/1 GENERAL POWER OUTLET - SINGLE
- GPO/1 EP EMERGENCY POWER OUTLET - SINGLE
- GPO/C GENERAL POWER OUTLET - CLEANER
- MA MEDICAL AIR
- NA NURSE ASSIST CALL
- NC PATIENT/NURSE CALL
- LS/R LIGHT SWITCH - ROOM
- O2 OXYGEN
- OP OBSERVATION PANEL WITH INTEGRAL VENETIAN
- RCD RESIDUAL CURRENT DEVICE
- S SUCTION
- SBB SUCTION BOTTLE BRACKET
- SK4 FLOOR VINYL COVED SKIRTING
- V1 VINYL FLOORING STANDARD SLIP RESISTANT



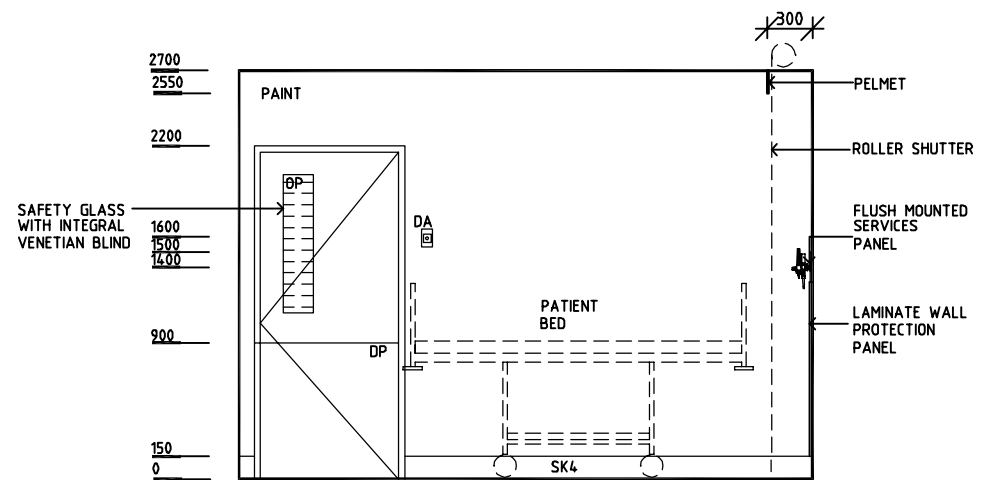
ELEVATION 1



ELEVATION 2



ELEVATION 3



ELEVATION 4

REV	DESCRIPTION	DATE	BY	REV	DESCRIPTION	DATE	BY	REV	DESCRIPTION	DATE	BY
1	FIRST ISSUE	14.03.2014	AA								



Sharjah Health Facility Guidelines at:
www.healthdesign.com.au/shcc/hfg
Editable version of Standard Components on
Health Facility Briefing System (HFBS) at:
www.healthdesign.com.au
Provided by TAHPI

DESIGNED	APPROVED	DATE	SCALE(S)	SHEET
CC	DB	30.12.13	1:50 in A3	1 of 1
CAD FILE NAME		PAPER DRAWING ID		ISSUE
TRSA-SJ		TRSA-SJ		1

This document is for advisory purpose only