

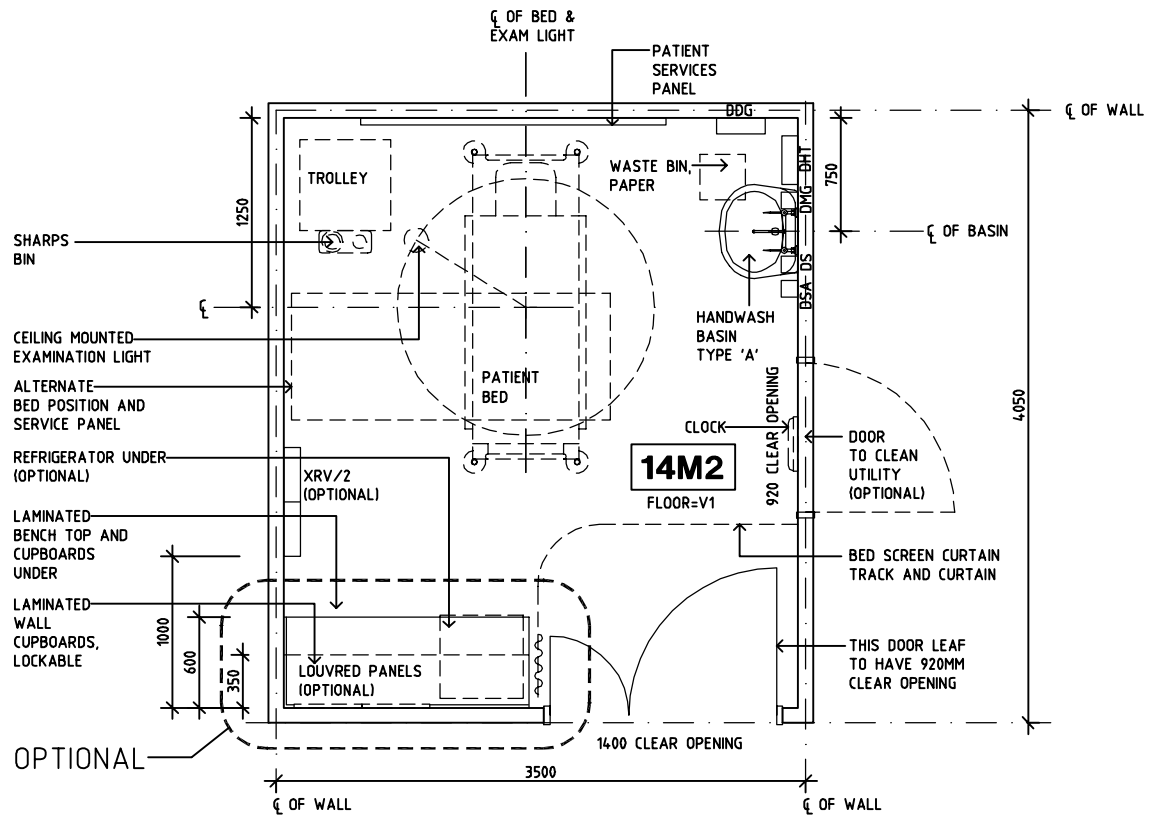
SHARJAH HEALTHCARE CITY STANDARD COMPONENTS

Room Layout Sheet

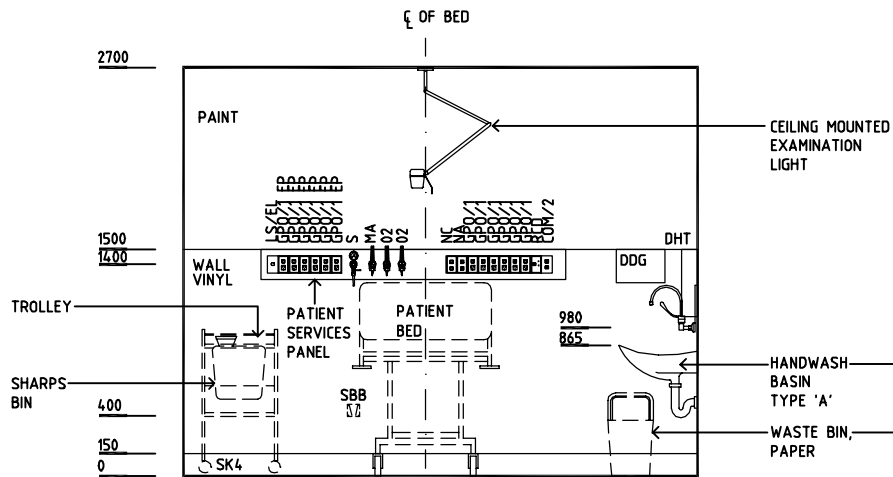
Room Name **Treatment Room**

RLS Room Code **TRMT-SJ**
RDS Room Code **TRMT-SJ**

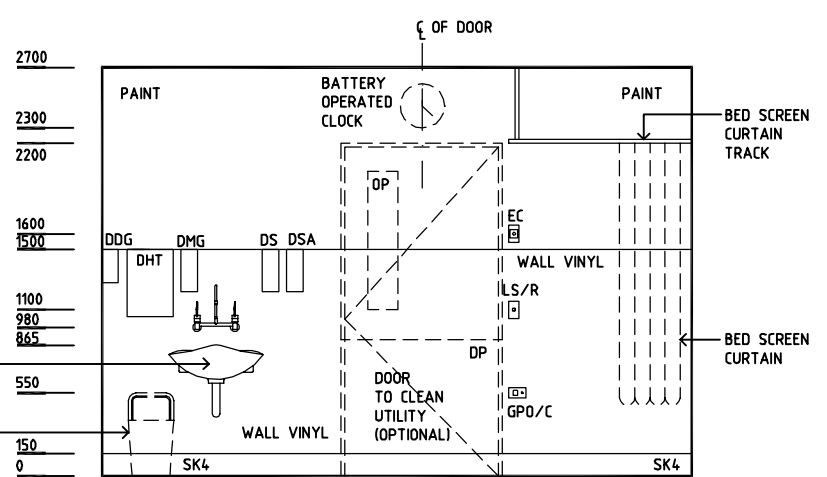
- AS ADJUSTABLE SHELF
- COM/2 COMMUNICATIONS OUTLET - DOUBLE
- DDG DISPENSER - DISPOSABLE GLOVE
- DHG DISPENSER - HAND GEL
- DHT DISPENSER - HAND TOWEL
- DMG DISPENSER - MEDICATED HAND GEL
- DS DISPENSER - SOAP
- DSA DISPENSER - SOAP ANTISEPTIC
- DP DOOR AND DOOR FRAME PROTECTION
- EC EMERGENCY CALL
- GPO/1 GENERAL POWER OUTLET - SINGLE
- GPO/2 GENERAL POWER OUTLET - DOUBLE
- GPO/1 EP GENERAL POWER OUTLET - EMERGENCY POWER
- GPO/C GENERAL POWER OUTLET - CLEANER'S
- LS/EL LIGHT SWITCH-EXAMINATION LIGHT
- LS/R LIGHT SWITCH-ROOM
- LS/P LIGHT SWITCH-PELMET TASK LIGHT
- MA MEDICAL AIR
- NA NURSE ASSIST CALL
- NC PATIENT/ NURSE CALL
- O2 OXYGEN
- OP OBSERVATION PANEL
- RCD RESIDUAL CURRENT DEVICE
- S SUCTION
- SBB SUCTION BOTTLE BRACKET
- SK4 FLOOR VINYL COVED SKIRTING
- V1 VINYL FLOORING STANDARD SLIP RESISTANT
- XRV/2 X-RAY VIEWER, 2 SCREEN



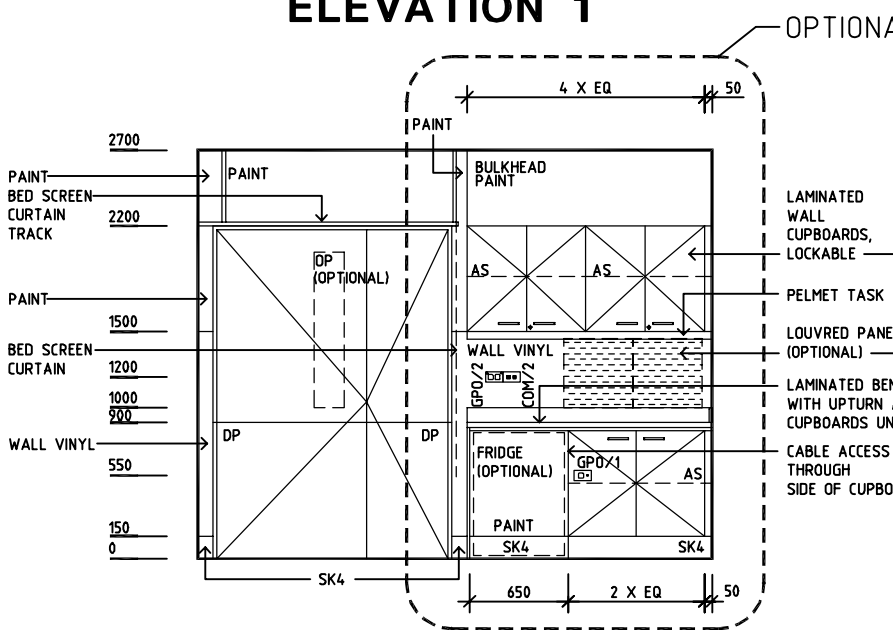
PLAN



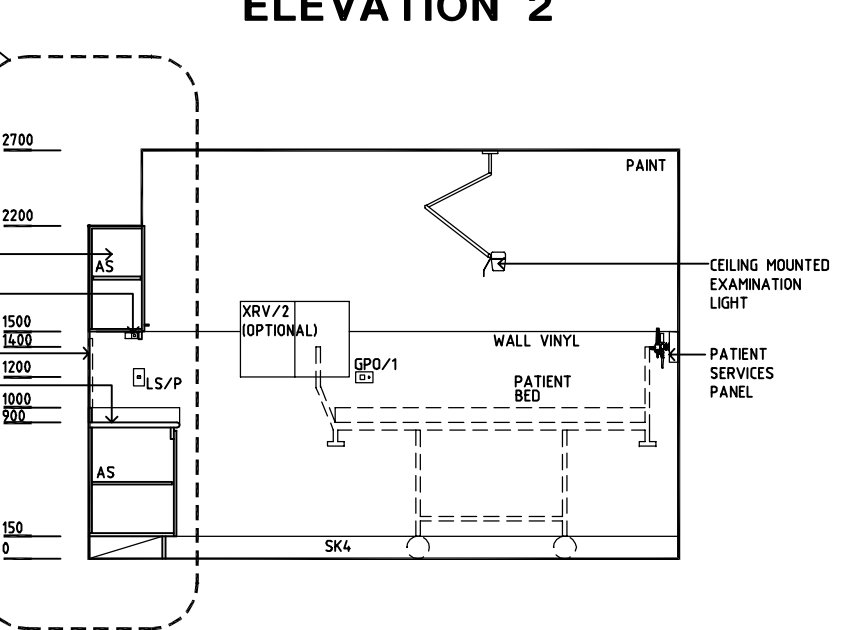
ELEVATION 1



ELEVATION 2



ELEVATION 3



ELEVATION 4

REV	DESCRIPTION	DATE	BY	REV	DESCRIPTION	DATE	BY	REV	DESCRIPTION	DATE	BY
1	FIRST ISSUE	14.03.2014	AA								



Sharjah Health Facility Guidelines at:
www.healthdesign.com.au/shccfg
Editable version of Standard Components on
Health Facility Briefing System (HFBS) at:
www.healthdesign.com.au
Provided by TAHPI

DESIGNED	APPROVED	DATE	SCALE(S)	SHEET
CC	DB	30.12.13	1:50 in A3	1 of 1
CAD FILE NAME		PAPER DRAWING ID		ISSUE
TRMT-SJ		TRMT-SJ		1

This document is for advisory purpose only