

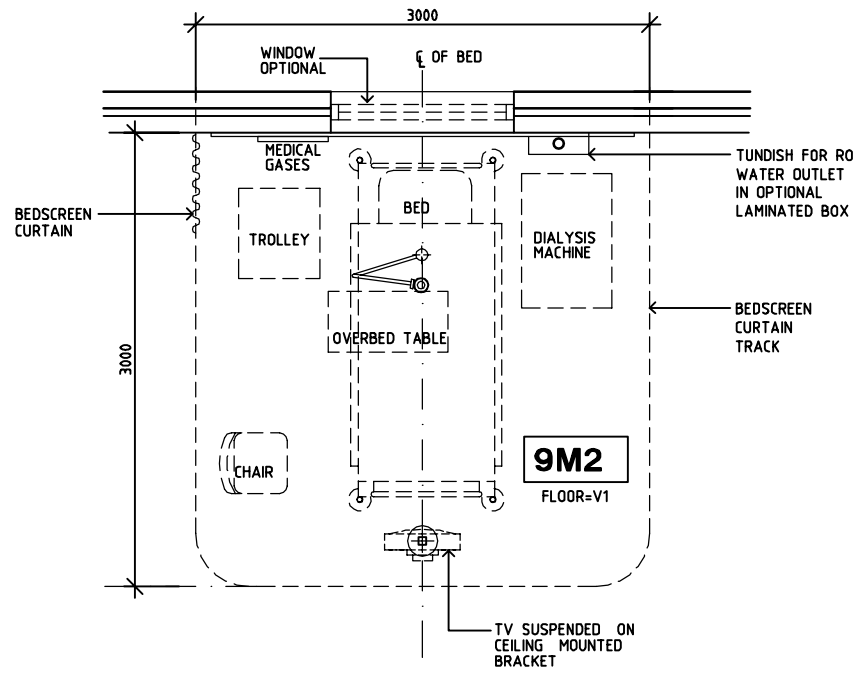
# SHARJAH HEALTHCARE CITY STANDARD COMPONENTS

Room Layout Sheet

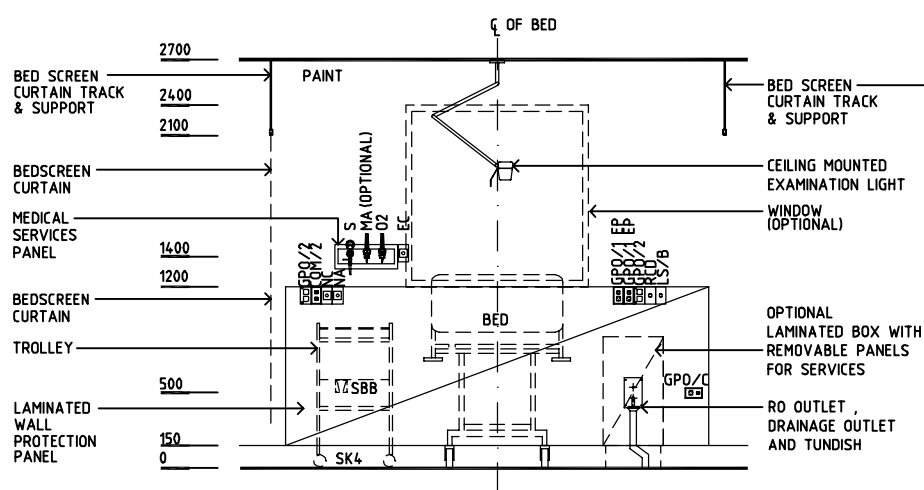
Room Name **Treatment Bay - Renal Dialysis (Type B)**

RLS Room Code **TRMT-RD-SJ-B**  
RDS Room Code **TRMT-RD-SJ**

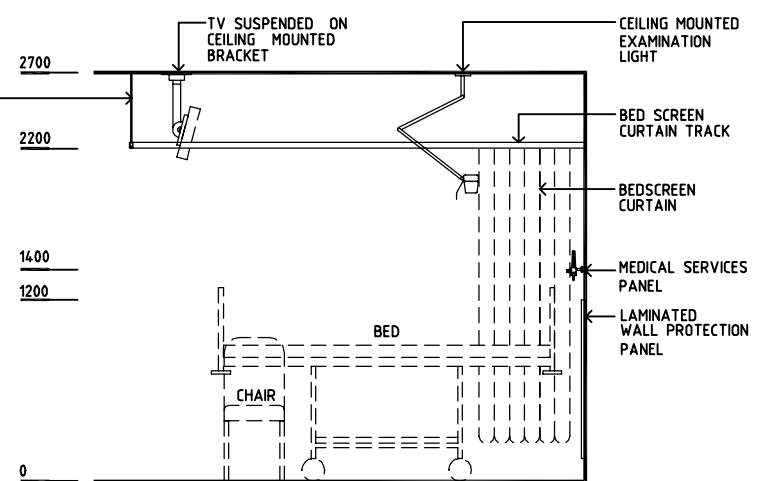
- COM/2 COMMUNICATION OUTLET - DOUBLE
- EC EMERGENCY CALL
- GPO/1 GENERAL POWER OUTLET - SINGLE
- GPO/1 EP GENERAL POWER OUTLET - EMERGENCY POWER
- GPO/C GENERAL POWER OUTLET - CLEANER'S
- LS/B LIGHT SWITCH- BAY
- MA MEDICAL AIR
- NA NURSE ASSIST CALL
- NC PATIENT/NURSE CALL
- O2 OXYGEN
- RCD RESIDUAL CURRENT DEVICE
- RO REVERSE OSMOSIS
- S SUCTION
- SBB SUCTION BOTTLE BRACKET
- SK4 FLOOR VINYL COVERED SKIRTING
- V1 VINYL FLOORING STANDARD SLIP RESISTANT



**PLAN**



**ELEVATION 1**



**ELEVATION 2**

REV	DESCRIPTION	DATE	BY	REV	DESCRIPTION	DATE	BY	REV	DESCRIPTION	DATE	BY
1	FIRST ISSUE	14.03.2014	AA								



Sharjah Health Facility Guidelines at:  
www.healthdesign.com.au/shcc/hfg  
Editable version of Standard Components on  
Health Facility Briefing System (HFBS) at:  
www.healthdesign.com.au  
Provided by TAHPI

DESIGNED	APPROVED	DATE	SCALE(S)	SHEET
CC	DB	30.12.13	1:50 in A3	1 of 1
CAD FILE NAME		PAPER DRAWING ID		ISSUE
TRMT-RD-SJ-B		TRMT-RD-SJ-B		1

This document is for advisory purpose only

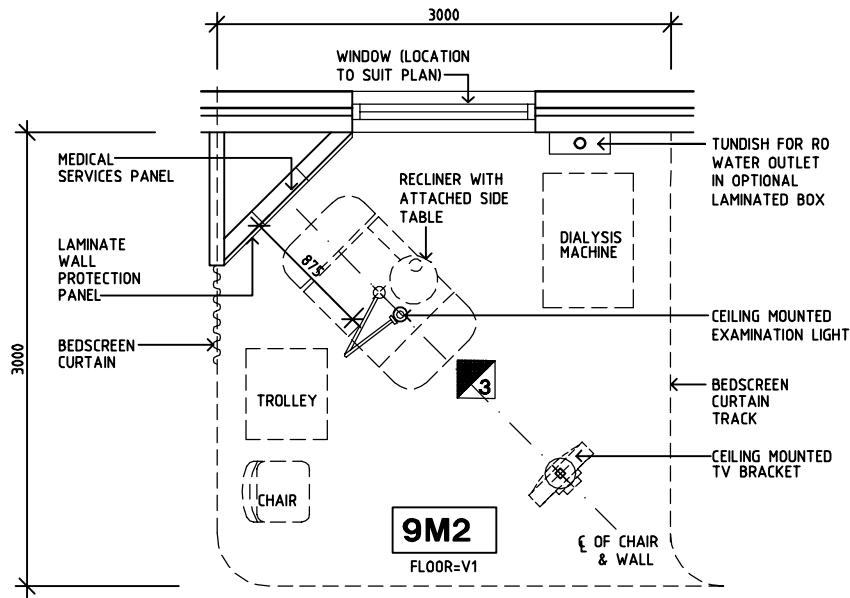
# SHARJAH HEALTHCARE CITY STANDARD COMPONENTS

Room Layout Sheet

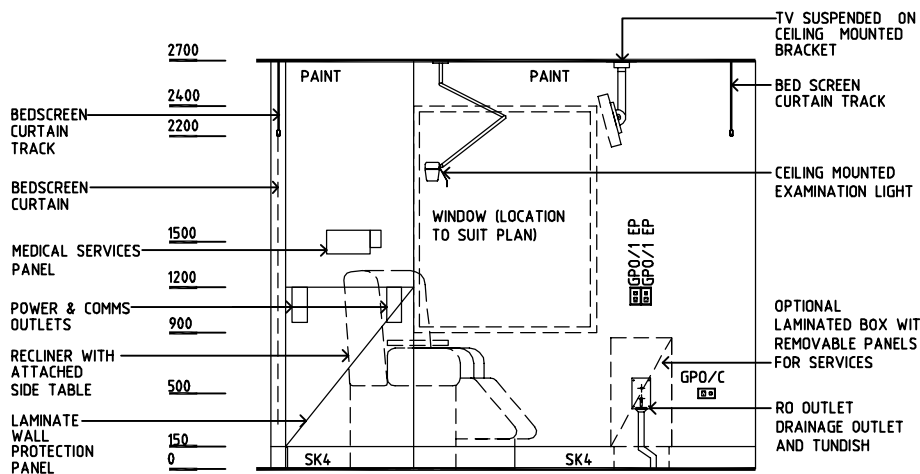
Room Name **Treatment Bay - Renal Dialysis (Type A)**

RLS Room Code **TRMT-RD-SJ-A**  
RDS Room Code **TRMT-RD-SJ**

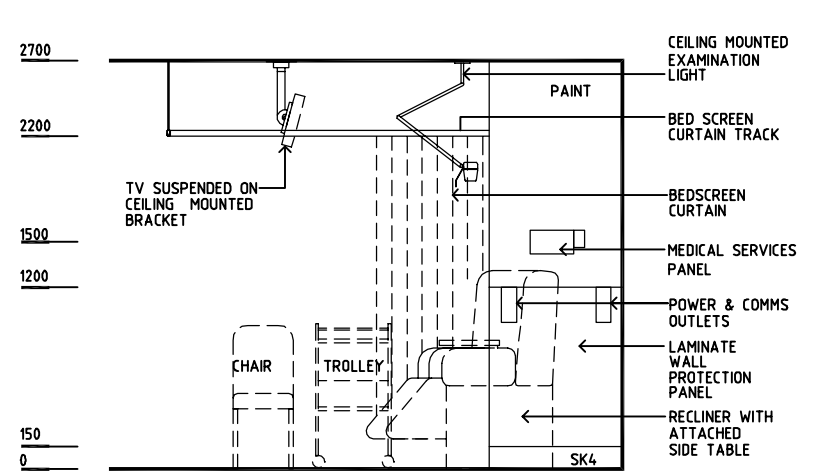
- COM/2 COMMUNICATION OUTLET - DOUBLE
- EC EMERGENCY CALL
- GPO/1 GENERAL POWER OUTLET - SINGLE
- GPO/1 EP GENERAL POWER OUTLET - EMERGENCY POWER
- GPO/2 GENERAL POWER OUTLET - DOUBLE
- GPO/C GENERAL POWER OUTLET - CLEANER'S
- LS/B LIGHT SWITCH- BAY
- MA MEDICAL AIR
- NA NURSE ASSIST CALL
- NC PATIENT/NURSE CALL
- O2 OXYGEN
- RCD RESIDUAL CURRENT DEVICE
- RO REVERSE OSMOSIS
- S SUCTION
- SBB SUCTION BOTTLE BRACKET
- SK4 FLOOR VINYL COVED SKIRTING
- V1 VINYL FLOORING STANDARD SLIP RESISTANT



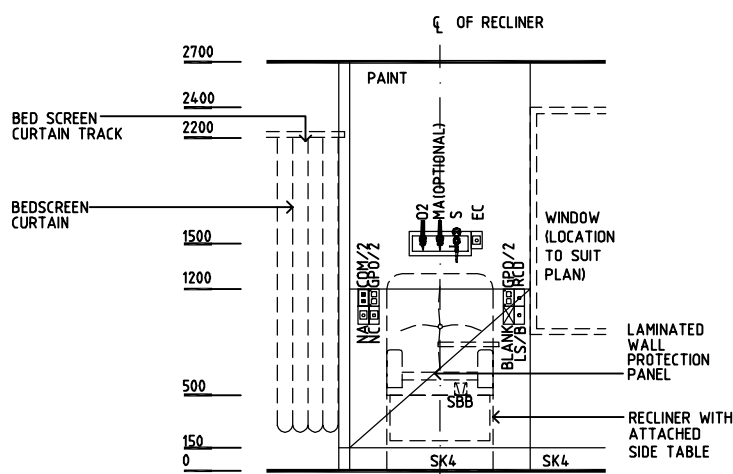
**PLAN**



**ELEVATION 1**



**ELEVATION 2**



**ELEVATION 3**

REV	DESCRIPTION	DATE	BY	REV	DESCRIPTION	DATE	BY	REV	DESCRIPTION	DATE	BY
1	FIRST ISSUE	14.03.2014	AA								



Sharjah Health Facility Guidelines at:  
www.healthdesign.com.au/shcc/hfg  
Editable version of Standard Components on  
Health Facility Briefing System (HFBS) at:  
www.healthdesign.com.au  
Provided by TAHPI

DESIGNED	APPROVED	DATE	SCALE(S)	SHEET
CC	DB	30.12.13	1:50 in A3	1 of 1
CAD FILE NAME		PAPER DRAWING ID		ISSUE
TRMT-RD-SJ-A		TRMT-RD-SJ-A		1

This document is for advisory purpose only