

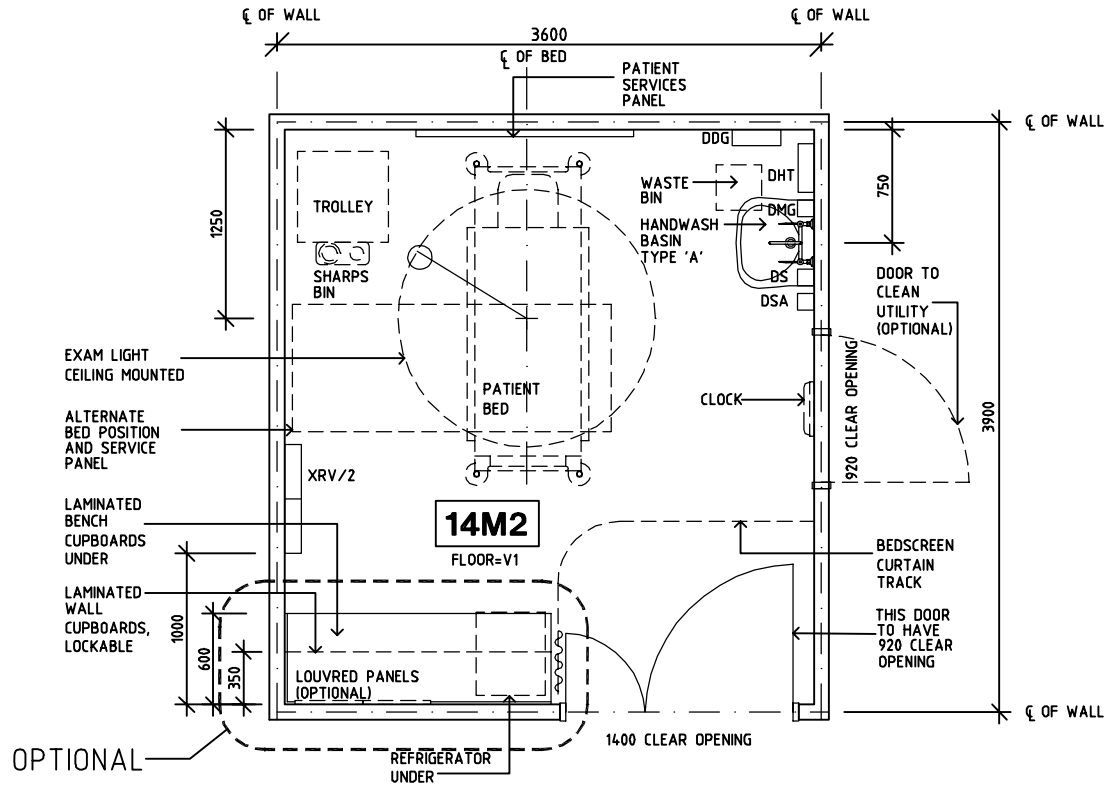
# SHARJAH HEALTHCARE CITY STANDARD COMPONENTS

Room Layout Sheet

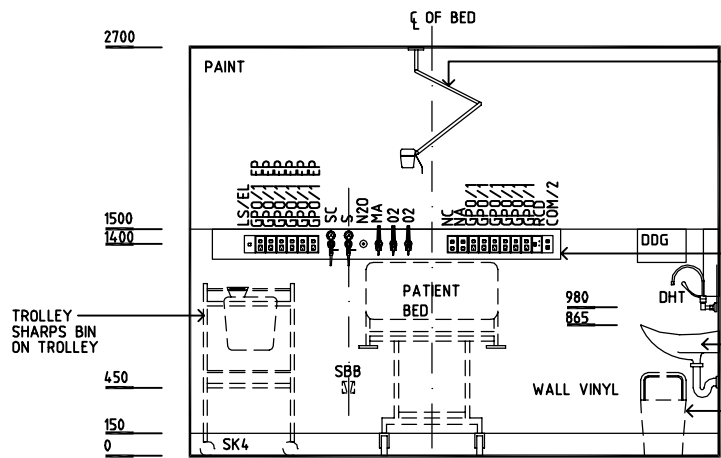
Room Name **Treatment Room - Paediatrics**

RLS Room Code **TRMT-P-SJ**  
RDS Room Code **TRMT-P-SJ**

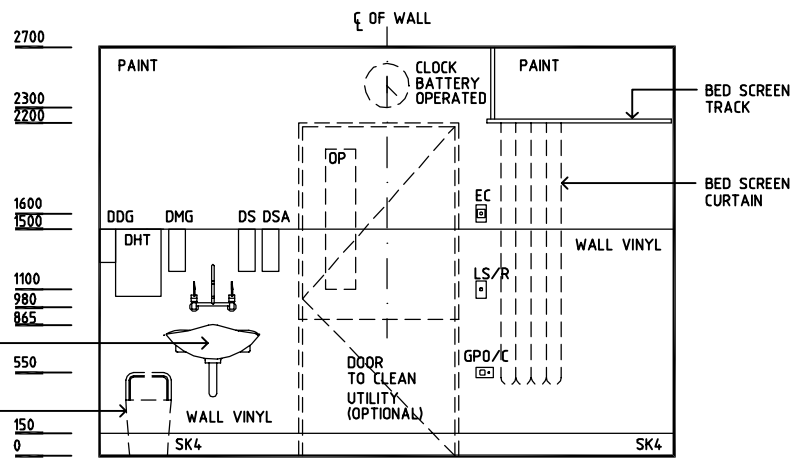
- AS ADJUSTABLE SHELF
- COM/2 COMMUNICATIONS OUTLET, DOUBLE
- DDG DISPENSER - DISPOSABLE GLOVE
- DHT DISPENSER - HAND TOWEL
- DMG DISPENSER - MEDICATED HAND GEL
- DS DISPENSER - SOAP
- DSA DISPENSER - SOAP ANTISEPTIC
- DP DOOR AND DOOR FRAME PROTECTION
- EC EMERGENCY CALL
- GPO/1 GENERAL POWER OUTLET - SINGLE
- GPO/2 GENERAL POWER OUTLET - DOUBLE
- GPO/1 EP GENERAL POWER OUTLET - EMERGENCY POWER
- GPO/C GENERAL POWER OUTLET - CLEANER'S
- LS/EL LIGHT SWITCH-EXAMINATION LIGHT
- LS/R LIGHT SWITCH-ROOM
- LS/P LIGHT SWITCH-PELMET TASK LIGHT
- MA MEDICAL AIR
- NA NURSE ASSIST CALL
- NC PATIENT/ NURSE CALL
- N2O NITROUS OXIDE
- O2 OXYGEN
- OP OBSERVATION PANEL
- S SUCTION
- SBB SUCTION BOTTLE BRACKET
- SC SCAVENGE OUTLET
- SK4 FLOOR VINYL COVERED SKIRTING
- V1 VINYL FLOORING STANDARD SLIP RESISTANT
- XRV/2 X-RAY VIEWER, 2 SCREENS



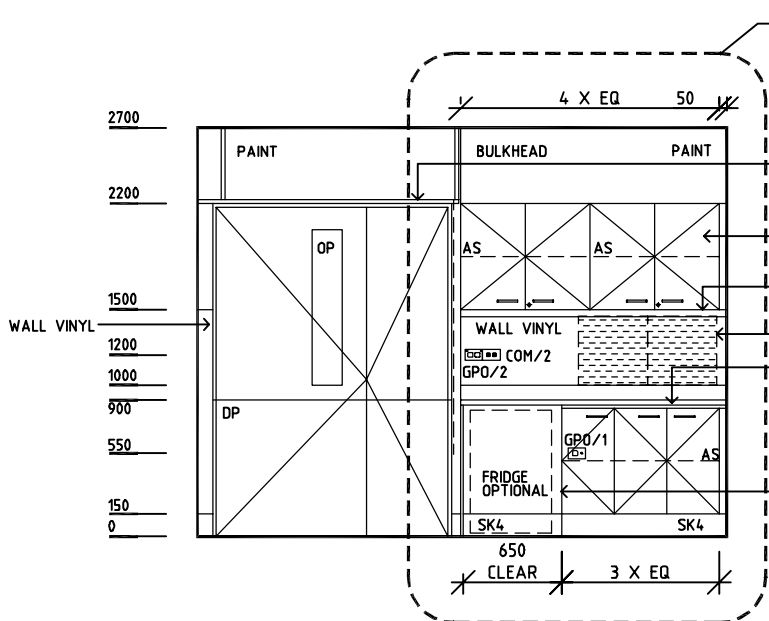
**PLAN**



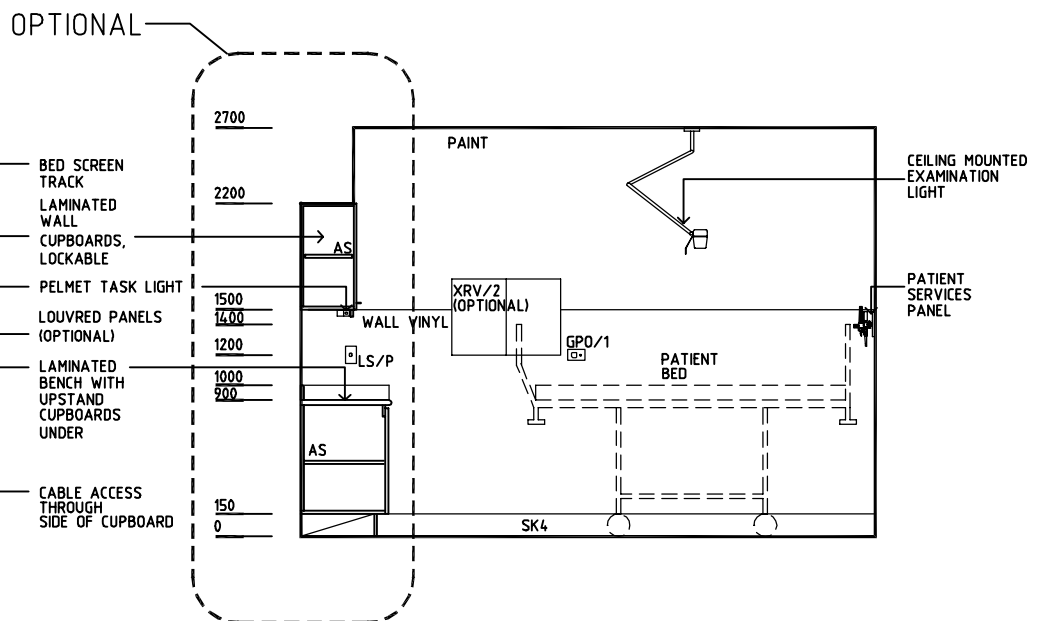
**ELEVATION 1**



**ELEVATION 2**



**ELEVATION 3**



**ELEVATION 4**

REV	DESCRIPTION	DATE	BY	REV	DESCRIPTION	DATE	BY	REV	DESCRIPTION	DATE	BY
1	FIRST ISSUE	14.03.2014	AA								



Sharjah Health Facility Guidelines at:  
www.healthdesign.com.au/shccfg  
Editable version of Standard Components on  
Health Facility Briefing System (HFBS) at:  
www.healthdesign.com.au  
Provided by TAHPI

DESIGNED	APPROVED	DATE	SCALE(S)	SHEET
CC	DB	30.12.13	1:50 in A3	1 of 1
CAD FILE NAME		PAPER DRAWING ID		ISSUE
TRMT-P-SJ		TRMT-P-SJ		1

This document is for advisory purpose only