

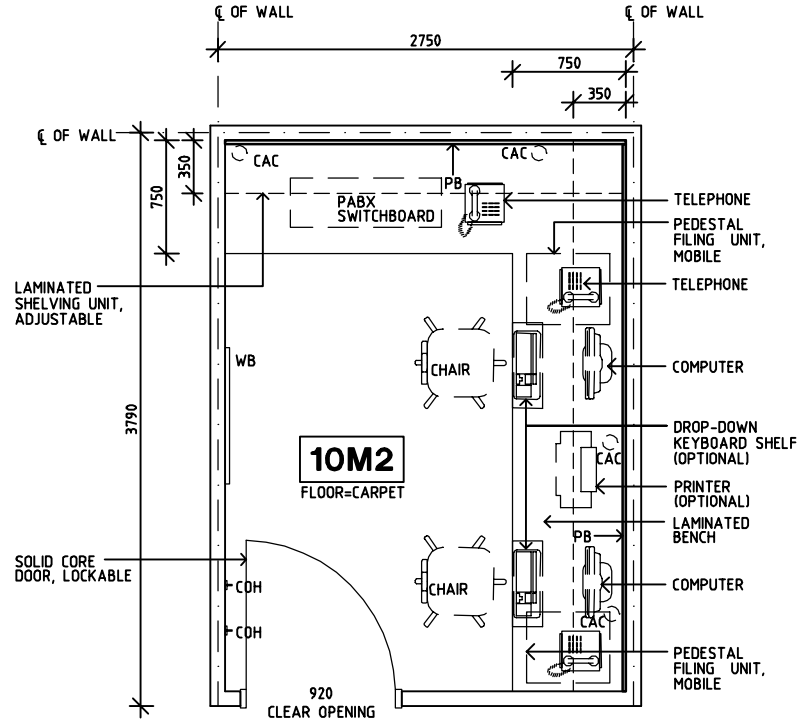
SHARJAH HEALTHCARE CITY STANDARD COMPONENTS

Room Layout Sheet

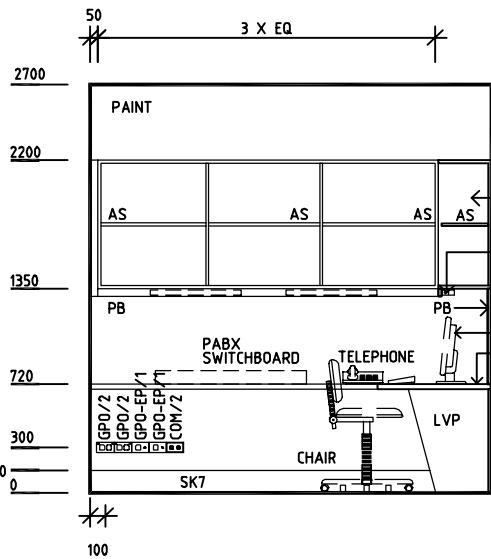
Room Name **Switchboard Operator**

RLS Room Code **SWOP-SJ**
RDS Room Code **SWOP-SJ**

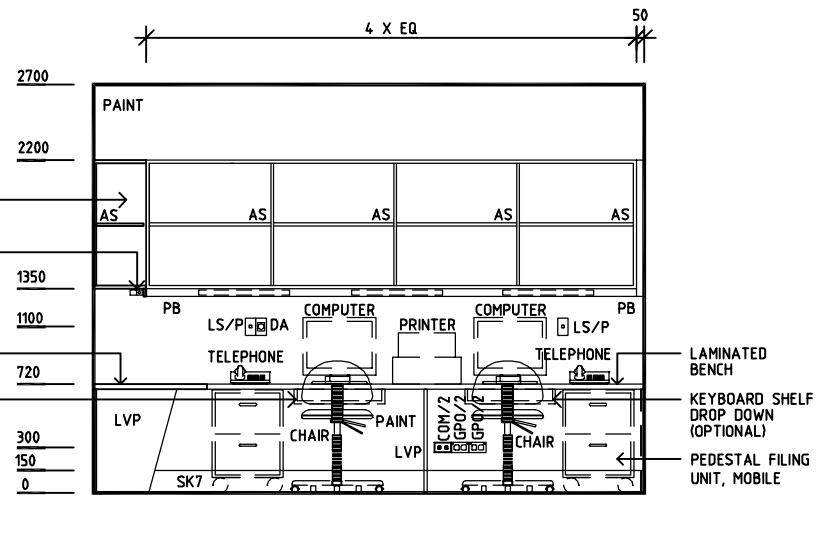
- AS ADJUSTABLE SHELF
- CAC CABLE ACCESS CAP
- COH COAT HOOK
- COM/2 COMMUNICATION OUTLET - DOUBLE
- DA DURESS ALARM
- GPO/2 GENERAL POWER OUTLET-DOUBLE
- GPO/1EP EMERGENCY POWER OUTLET-SINGLE
- LS/R LIGHT SWITCH - ROOM
- LS/P LIGHT SWITCH - PELMET TASK LIGHT
- LVP LAMINATED VERTICAL PANEL
- PB PINBOARD
- SK7 TIMBER SKIRTING



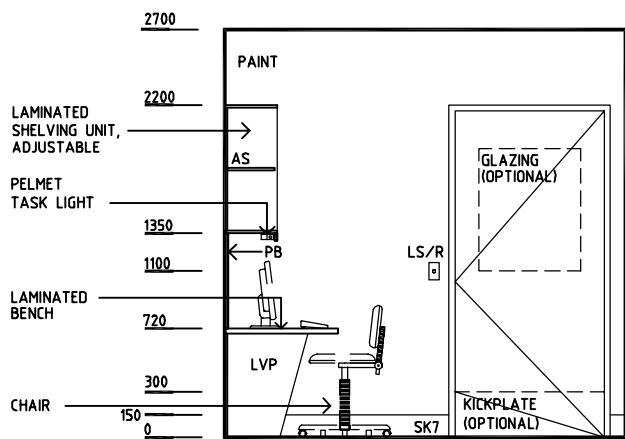
PLAN



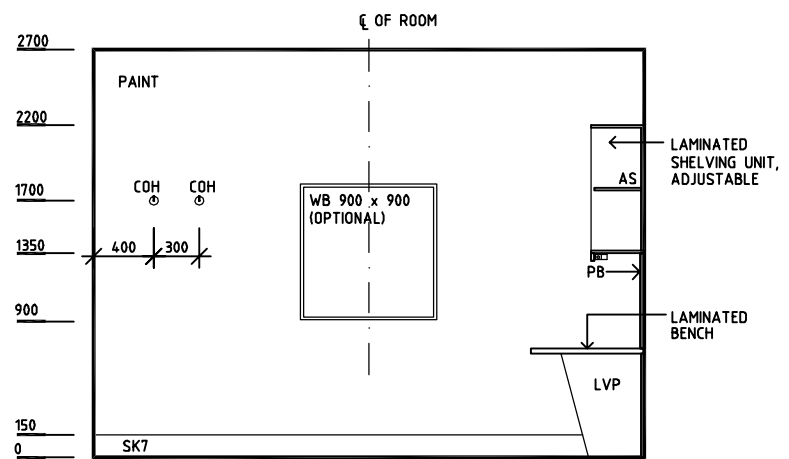
ELEVATION 1



ELEVATION 2



ELEVATION 3



ELEVATION 4

REV	DESCRIPTION	DATE	BY	REV	DESCRIPTION	DATE	BY	REV	DESCRIPTION	DATE	BY
1	FIRST ISSUE	14.03.2014	AA								



Sharjah Health Facility Guidelines at:
www.healthdesign.com.au/shccfg
Editable version of Standard Components on
Health Facility Briefing System (HFBS) at:
www.healthdesign.com.au
Provided by TAHPI

DESIGNED	APPROVED	DATE	SCALE(S)	SHEET
CC	DB	30.12.13	1:50 in A3	1 of 1
CAD FILE NAME		PAPER DRAWING ID		ISSUE
SWOP-SJ		SWOP-SJ		1

This document is for advisory purpose only