

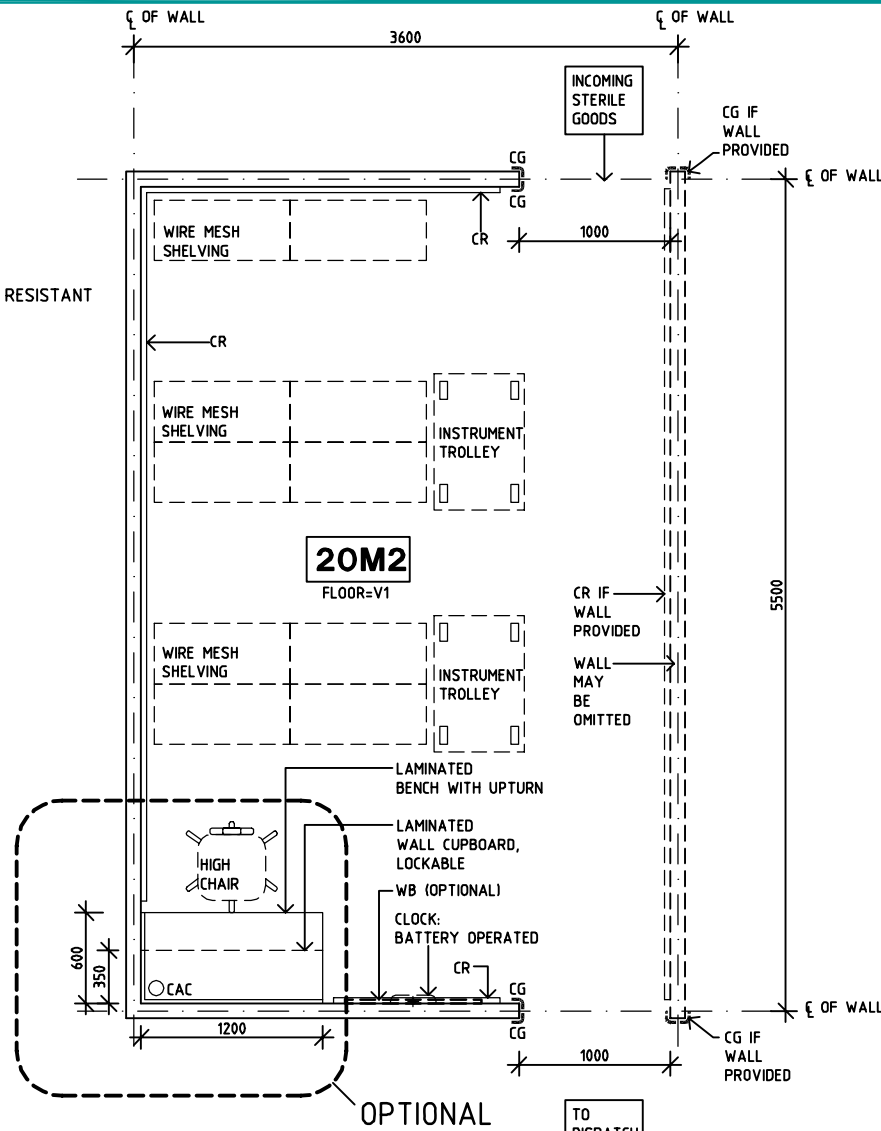
SHARJAH HEALTHCARE CITY STANDARD COMPONENTS

Room Layout Sheet

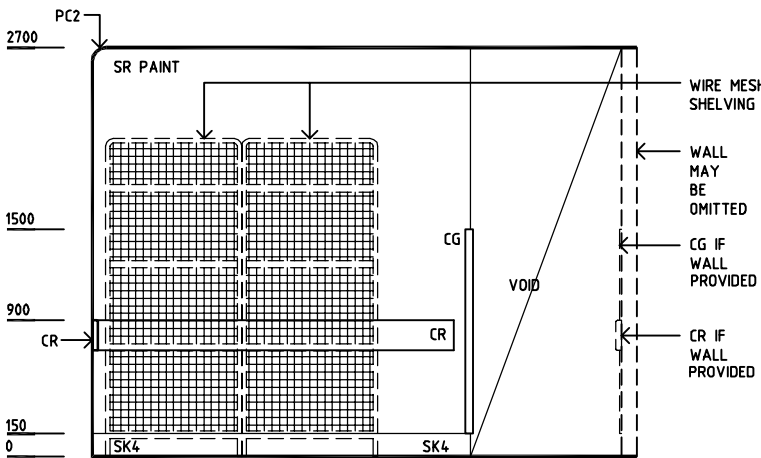
Room Name **Store - Sterile Stock, 20m2 (CSSU)**

RLS Room Code **STSS-20-SJ**
RDS Room Code **STSS-20-SJ**

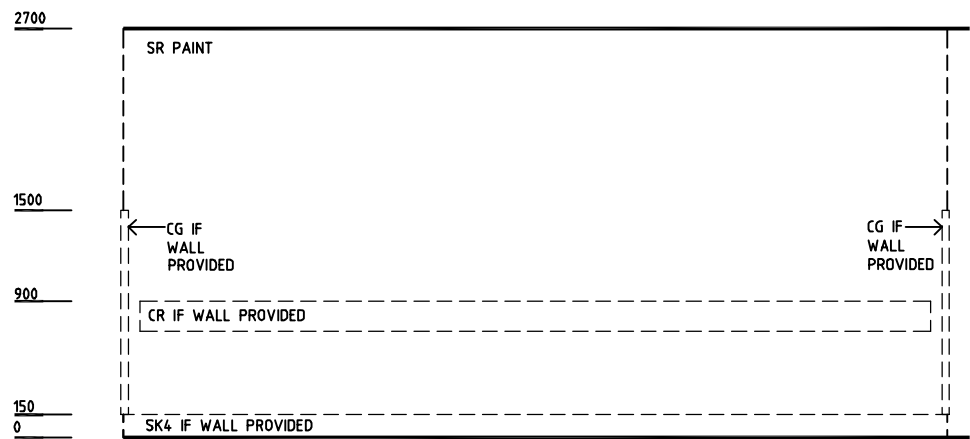
- AS ADJUSTABLE SHELF
- CAC CABLE ACCESS CAP
- CG CORNER GUARD
- COM/2 COMMUNICATIONS OUTLET - DOUBLE
- CR CRASH RAIL
- GPO/2 GENERAL POWER OUTLET - DOUBLE
- LS/R LIGHT SWITCH - ROOM
- LS/P LIGHT SWITCH - PELMET TASK LIGHT
- LVP LAMINATED VERTICAL PANEL
- SK4 FLOOR VINYL COVERED SKIRTING
- V1 VINYL FLOORING STANDARD STANDARD SLIP RESISTANT
- WB WHITEBOARD



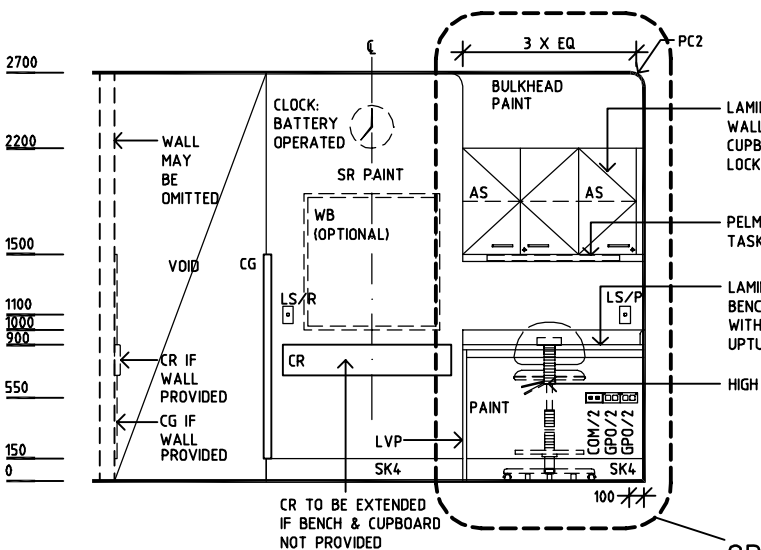
PLAN



ELEVATION 1

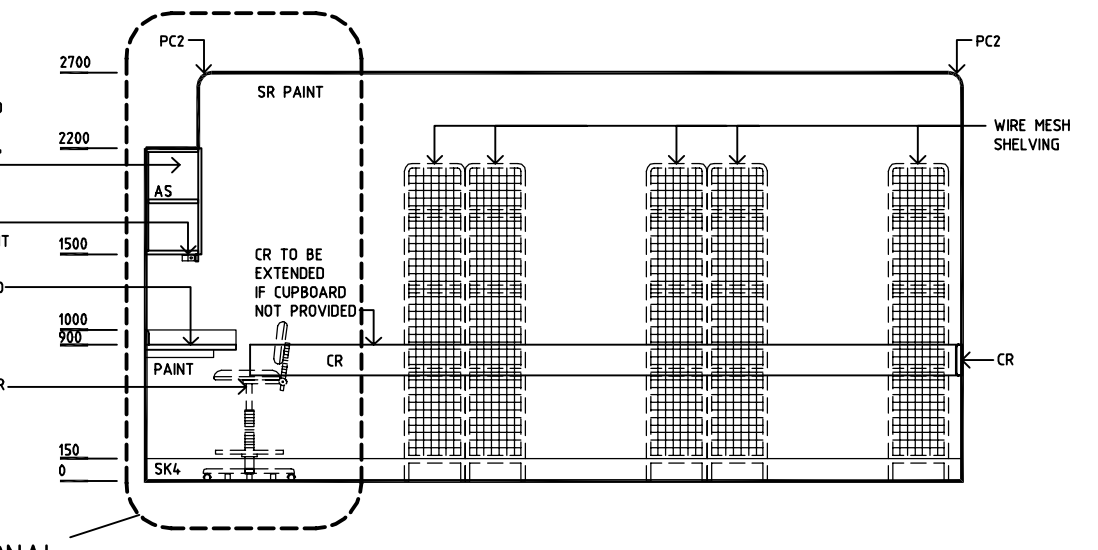


ELEVATION 2



ELEVATION 3

(NOT APPLICABLE TO SERVICES OUTLETS)



ELEVATION 4

REV	DESCRIPTION	DATE	BY	REV	DESCRIPTION	DATE	BY	REV	DESCRIPTION	DATE	BY
1	FIRST ISSUE	14.03.2014	AA								



Sharjah Health Facility Guidelines at:
www.healthdesign.com.au/shcc/hfg
Editable version of Standard Components on
Health Facility Briefing System (HFBS) at:
www.healthdesign.com.au
Provided by TAHPI

DESIGNED	APPROVED	DATE	SCALE(S)	SHEET
CC	DB	30.12.13	1:50 in A3	1 of 1
CAD FILE NAME		PAPER DRAWING ID		ISSUE
STSS-20-SJ		STSS-20-SJ		1

This document is for advisory purpose only