

SHARJAH HEALTHCARE CITY STANDARD COMPONENTS

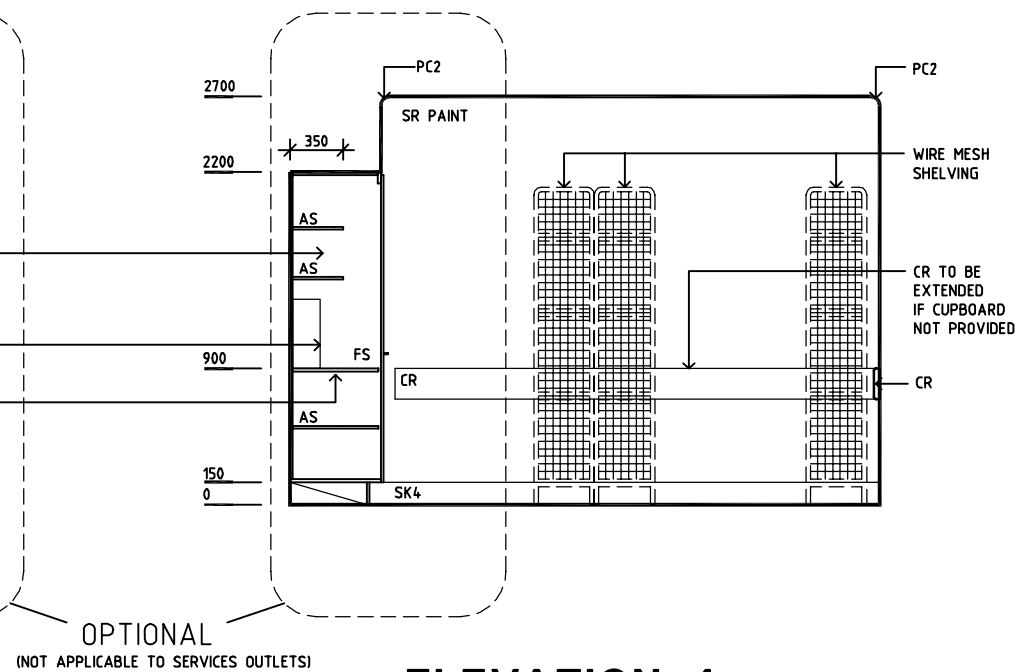
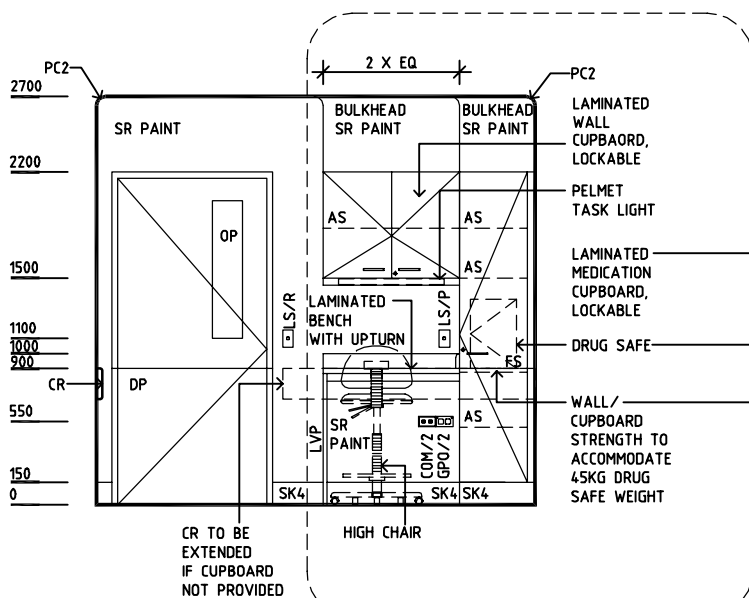
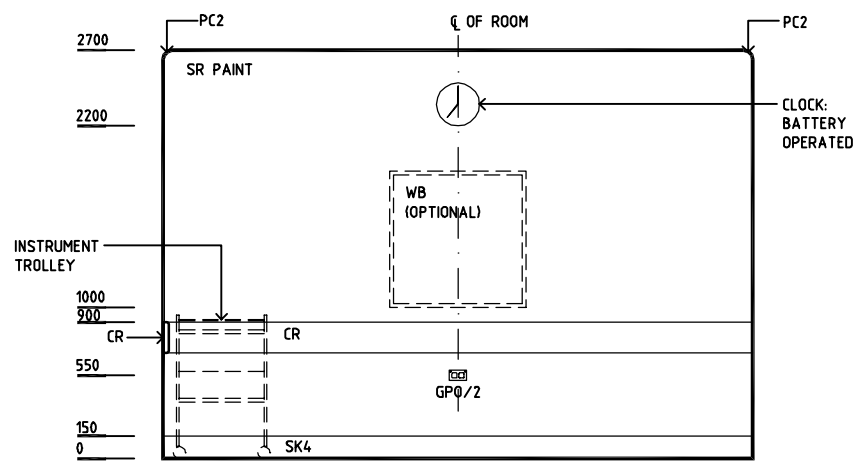
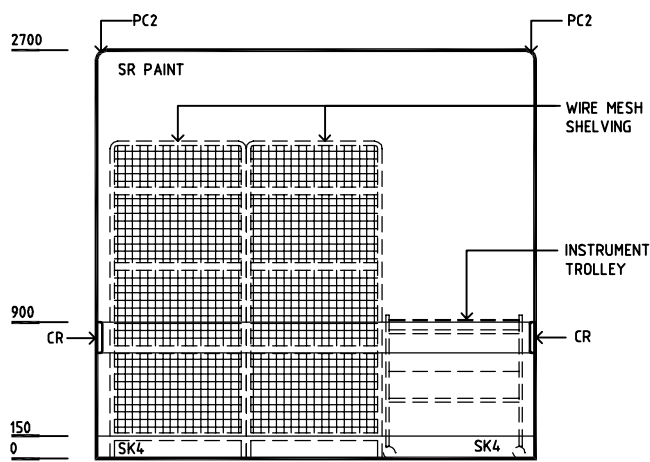
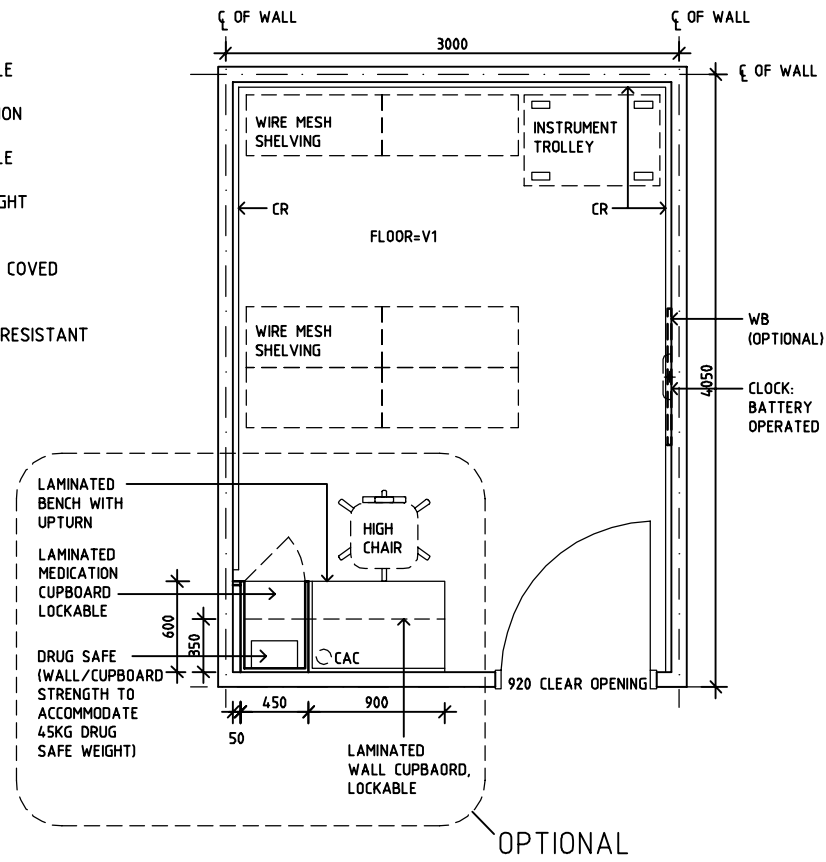
Room Layout Sheet

Room Name **Store - Sterile Stock, 12m2**

RLS Room Code **STSS-12-SJ**

RDS Room Code **STSS-12-SJ**

- AS ADJUSTABLE SHELF
- CAC CABLE ACCESS CAP
- COM/2 COMMUNICATIONS OUTLET - DOUBLE
- CR CRASH RAIL
- DP DOOR AND DOOR FRAME PROTECTION
- FS FIXED SHELF
- GPO/2 GENERAL POWER OUTLET - DOUBLE
- LS/R LIGHT SWITCH - ROOM
- LS/P LIGHT SWITCH - PELMET TASK LIGHT
- LVP LAMINATED VERTICAL PANEL
- OP OBSERVATION PANEL
- PC2 PLASTERBOARD CORNICE FLUSHED COVERED
- SK4 FLOOR VINYL COVERED SKIRTING
- SR SCRUB RESISTANT
- V1 VINYL FLOORING STANDARD SLIP RESISTANT
- WB WHITEBOARD



REV	DESCRIPTION	DATE	BY	REV	DESCRIPTION	DATE	BY	REV	DESCRIPTION	DATE	BY
1	FIRST ISSUE	14.03.2014	AA								



Sharjah Health Facility Guidelines at:
www.healthdesign.com.au/shcc/hfg
 Editable version of Standard Components on
 Health Facility Briefing System (HFBS) at:
www.healthdesign.com.au
 Provided by TAHPI

DESIGNED	APPROVED	DATE	SCALE(S)	SHEET
CC	DB	30.12.13	1:50 in A3	1 of 1
CAD FILE NAME		PAPER DRAWING ID		ISSUE
STSS-12-SJ		STSS-12-SJ		1

This document is for advisory purpose only